

400 series internal blower
AR 400

AR 400 743

Metal housing.
Air extraction.
HVI CFM: 300, High Speed.
Internal blower can only be used with 400 series AI/AW 442 island/wall hood.
For installation in the duct cover inside installation.

HVI Performance Values
(CFM & SONES)

Blower Integral

Exhaust Discharge: vertical
Speed: Working Speed
Static Pressure (in H₂O): 0.028"
HVI Wats: 16
CFM/Watt: 10.05
HVI CFM: 150
Sones (Reportable): 1.5

Blower Integral

Exhaust Discharge: vertical
Speed: High Speed
Static Pressure (in H₂O): 0.1"
HVI Wats: 71
CFM/Watt: 4.30
HVI CFM: 300
Sones (Reportable): 7.0

Highlights

- Powerful blower to combine with 400 series AW/AI 442 wall and island hood.
- Quiet blower with high-efficiency BLDC technology.
- Compact and space-saving due to the installation in the duct cover of AI/AW 442 island/wall hood.

Output

3 performance output levels and Intensive mode.
Sound power and sound pressure depending on built-in situation.
Power levels depend on the power levels of the AW hood.

Features

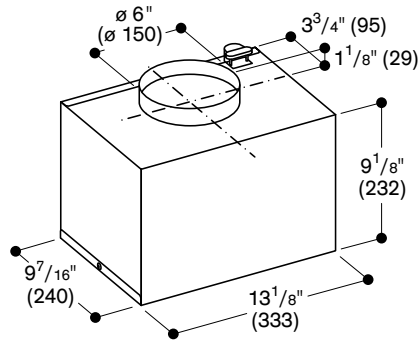
3 electronically controlled power levels and 1 intensive mode.
Blower technology with highly efficient, brushless DC motor (BLDC).
Including sound insulation to minimize the noise level.
Duct connection piece on air output side: 1x ø 6" round.

Planning notes

Blower can only be combined with blowerless 400 series AW 442 wall hood.
Connection to the respective appliances via network cable.
Installation in the duct cover of AI/AW 442 island/wall hood.

Rating

Total rating: 200 W.
Total Amps: 2 A.
120 V / 60 Hz.
Connecting and network cable are included.



Numbers indicated inside parenthesis () = mm

www.gaggenau.com/us
Revised: March 2025