

**Benchmark®, Single Wall Oven, 30",
Stainless Steel
HBLP454UC**



HEZTR301 Telescopic Oven Rack 30"

The Bosch All-in-One Wall Oven with Air Fry and left SideOpening door combines all your favorite kitchen tools into one appliance for the ultimate cooking versatility without the countertop clutter.

- **Broil:** intensely heats from the upper element to deliver the perfect char
- **TFT Display:** easily switch between oven modes on this easy to see control panel -- featuring SteelTouch™ Buttons.
- **Air Fry:** quickly cooks foods to crisp perfection in your oven without adding oil.
- **Convection Multi-Rack:** uses a third heating element and fan to evenly circulates air around the cavity so you get consistently even results.
- **Self-Clean Mode:** cleans the oven with a 2,3, or 4 hour self-clean cycle

UPC code: 825225962687
 Product color: Stainless Steel
 Energy source: Electric
 Watts: 4800 W
 Fuse protection:30 A
 Volts:208-240 V
 Frequency: 60 Hz
 Power Cord Length: 50"
 Power cord length: 127.0 cm
 Plug type:no plug, fixed connection
 Required Cutout Size (HxWxD) (in): 27" - 28 5/8" x 28 1/2" x 23 1/2"
 Required cutout size (HxWxD): 686-727 x 724-724 x 597 mm
 Dimensions: 737x755x622 mm
 Product Packaging Dimensions (HxWxD): 31 1/4" x 34" x 31 1/2"
 Product packaging dimensions (HxWxD):793 x 863 x 800 mm
 Net Weight: 160.000 lbs
 Net Weight: 72.4 kg
 Gross Weight: 188.000 lbs
 Gross weight: 85.3 kg



Benchmark®, Single Wall Oven, 30", Stainless Steel HBLP454UC

The Bosch All-in-One Wall Oven with Air Fry and left SideOpening door combines all your favorite kitchen tools into one appliance for the ultimate cooking versatility without the countertop clutter.

Design

- Color TFT Touch Control with SteelTouch™ buttons for easier operation
- Installs flush for a sleek, modern look

Performance

- Fast Preheat mode saves time so meals are ready sooner
- A 12 pass broil element sears, browns, and chars meats and casseroles to perfection
- Keep food warm without overcooking until ready to serve by using the warm mode

Efficiency

- 2, 3, and 4 hour self-clean cycles available, saving time and energy

Convenience

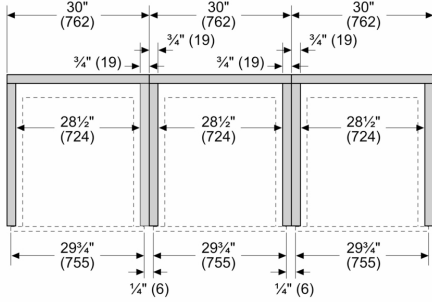
- Dampened hinges softly guide the QuietClose door shut so the oven door never slams
- Large, transparent oven window lets you easily monitor the cooking progress without opening the door
- 2 bright interior oven lights let you easily check on your meal's progress

Capacity

- 4.6 cu. ft. generous interior capacity fits a large turkey and multiple side dishes with ease

Benchmark®, Single Wall Oven, 30", Stainless Steel HBLP454UC

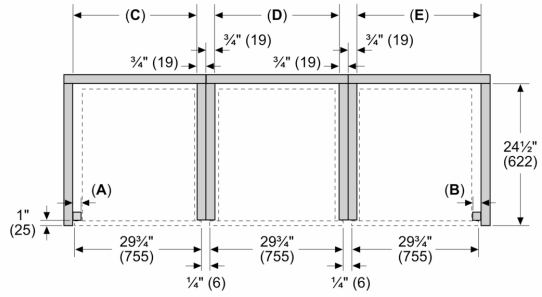
measurements in inches (mm)
Standard side-by-side-by-side installation



Configuration	A	B	C
Side-by-side-by-side 1	D	E	D
Side-by-side-by-side 2	E	F	E

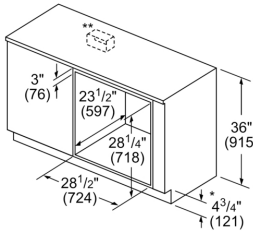
- A: Left oven type
- B: Middle oven type
- C: Right oven type
- D: Conventional oven
- E: Steam, speed or microwave
- F: Conventional oven. Bottom hinge door modules only. Side hinge door not recommended.

measurements in inches (mm)
Flush side-by-side-by-side installation



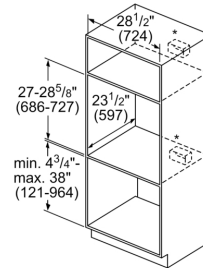
Combination type	A	B	C	D	E
Flush bottom hinge door	3/4" (19)	3/4" (19)	29 3/4" (743)	29 3/4" (743)	28 1/2" (724)
Flush left hinge door	1 1/2" (38)	F	30" (762)	F	F
Flush right hinge door	F	1 1/2" (38)	F	30" (762)	F

- A: Left reveal cleat
- B: Right reveal cleat
- C: Cut-out width
- D: Cut-out width
- E: Cut-out width
- F: Installation not recommended



- * Includes 3/4" (19) base plate
- ** For single ovens installed under a worktop, the junction box may be located to the left or right of the unit within reach of the power cable.

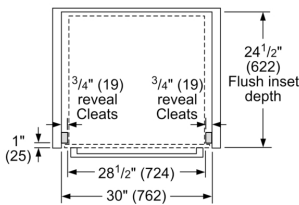
measurements in inches (mm)



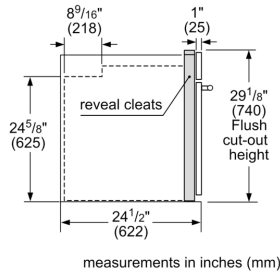
- * For single ovens installed in a wall cabinet, the junction box may be located above or beneath the unit within reach of the power cable.

measurements in inches (mm)

Flush installation Top view



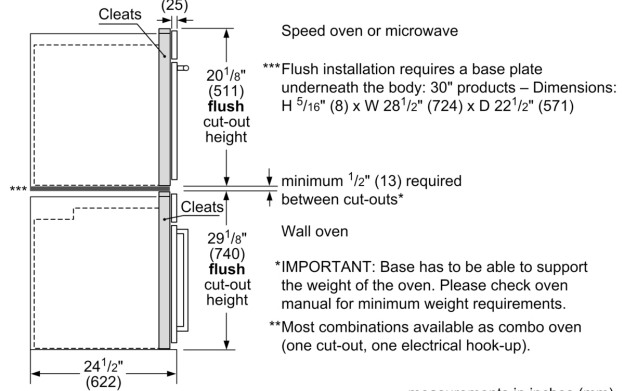
Side view



measurements in inches (mm)

Flush installation
Speed oven or microwave above a 30" single oven**

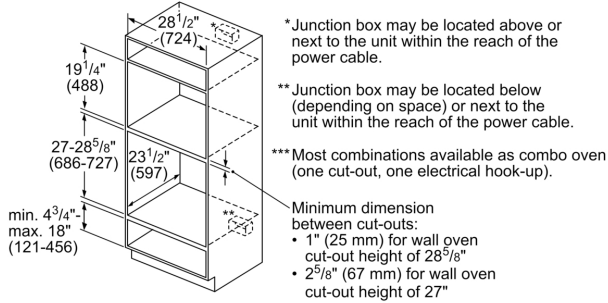
Side view



- Speed oven or microwave
- *** Flush installation requires a base plate underneath the body: 30" products – Dimensions: H 5/16" (8) x W 28 1/2" (724) x D 22 1/2" (571)
- minimum 1/2" (13) required between cut-outs*
- Wall oven
- *IMPORTANT: Base has to be able to support the weight of the oven. Please check oven manual for minimum weight requirements.
- **Most combinations available as combo oven (one cut-out, one electrical hook-up).

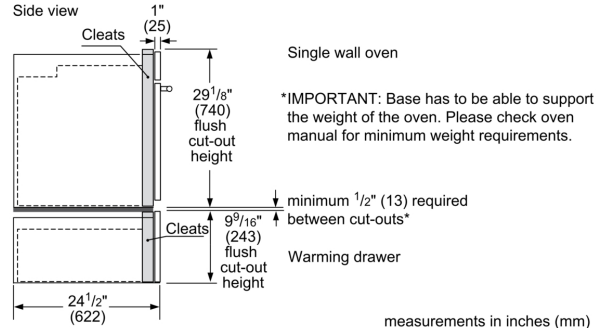
measurements in inches (mm)

Standard installation
30" speed oven or microwave above a single oven***

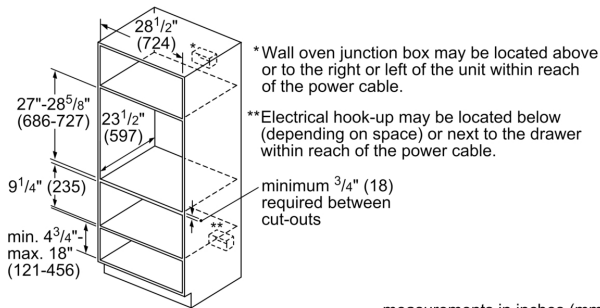


measurements in inches (mm)

Flush installation
Single oven over storage or warming drawer

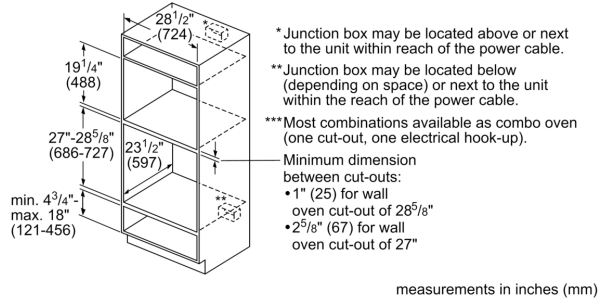


Standard installation
30" single oven over storage or warming drawer



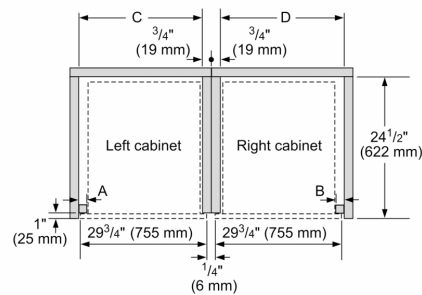
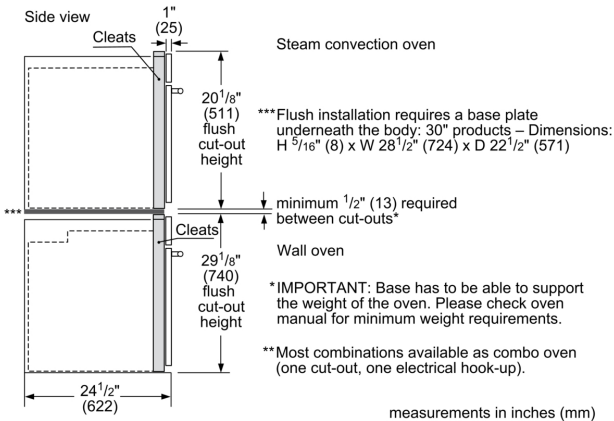
measurements in inches (mm)

Standard installation
30" steam convection oven over single oven***



measurements in inches (mm)

Flush installation
Steam convection oven over single oven**



Combination Type	A Left reveal cleat	B Right reveal cleat	C cut-out width	D cut-out width
Flush bottom hinge	3/4" (19 mm)	3/4" (19 mm)	29 ³ / ₄ " (743 mm)	29 ³ / ₄ " (743 mm)
Flush side hinge (left)	1 ¹ / ₂ " (38 mm)	N/A*	30" (762 mm)	N/A*
Flush side hinge (right)	N/A*	1 ¹ / ₂ " (38 mm)	N/A*	30" (762 mm)

* Installation not recommended

measurements in inches (mm)