

# Installation Instructions

# Stainless Steel Door Panel Kit

**Before you begin - Read these instructions completely and carefully.**

**Note to Installer:** Be sure to leave these instructions with the Consumer.

**Note to Consumer:** Keep these instructions with your Installation Instructions for future reference.

## ⚠ WARNING



### Tip Over Hazard.

These appliances are top heavy, especially with any doors open, and must be secured to prevent tipping forward which could result in death or serious injury. Read and follow the entire installation instructions for securing the appliance with the anti-tip system before installing door panel kit.

## ⚠ WARNING



### Door Trim Pinch Point Hazard

Improper installation can lead to a finger pinch point hazard between the side door trim and the cabinets when operating the door, especially with children. To minimize this risk you must follow the installation instructions for cabinet dimensions, trim assembly, and door stop angle.

## ⚠ AVERTISSEMENT



### Risque de basculement

Ces électroménagers sont lourds dans le haut, en particulier avec une porte ouverte, de sorte qu'ils doivent être fixés afin de prévenir un basculement vers l'avant pouvant occasionner des blessures graves ou la mort. Veuillez lire et suivre la totalité des instructions d'installation afin de fixer votre électroménager par un dispositif antibasculement avec le système anti-basculer avant d'installer le kit de panneau de porte..

## ⚠ AVERTISSEMENT



### Risque de pincement sur la garniture de porte

Une installation mal effectuée représente un risque de pincement de doigts entre la garniture latérale de porte et les armoires lors de la manipulation de la porte, spécialement pour les enfants. Pour minimiser le risque, vous devez respecter les instructions d'installation selon les dimensions de l'armoire, l'assemblage de garniture et l'angle de butée de la porte.

## ⚠ ADVERTENCIA



### Riesgo de Caídas

Estos electrodomésticos son inestables, especialmente cuando una puerta se encuentre abierta, y deben estar asegurados a fin de evitar caídas hacia adelante que podrían resultar en la muerte o en lesiones graves. Lea y siga todas las instrucciones de instalación para asegurar el aparato con el sistema antivuelco antes de instalar el kit del panel de la puerta.

## ⚠ ADVERTENCIA



### Riesgo de Lastimadura con el Borde de la Puerta

Una instalación inadecuada puede conducir a riesgos de pellizcos de dedos entre el borde lateral de la puerta y los gabinetes al utilizar la puerta, especialmente con los niños. A fin de minimizar este riesgo, usted deberá seguir las instrucciones de instalación para dimensiones de gabinetes, ensambles de bordes y ángulos de detención de puertas.

This kit provides for the installation of the Stainless Steel Door Panel Assemblies and Stainless Steel Toe Kicks

ZK3SN364WRH	Single Door Right-Hand Stainless Steel Door Panel Kit
ZK3SN369WLH	Single Door Left-Hand Stainless Steel Door Panel Kit
ZK4SN360WSS	French Door Stainless Steel Door Panel Kit

### Components Included

### Quantity

Stainless Steel Top Door Panel (Single Door Kit)	1
Stainless Steel Right Top Door Panel (French Door Kit)	1
Stainless Steel Left Top Door Panel (French Door Kit)	1
Stainless Steel Middle Drawer Panel	1
Stainless Steel Bottom Drawer Panel	1
Stainless Steel Toe Kick	1
M4 Phillips Screws	48

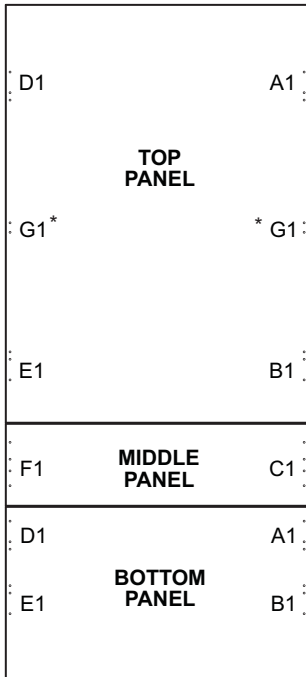
**Tools and Materials Required:** Phillips #2 bit/driver, M4, M5 hex keys (included with unit) or bits/drivers.

# Installation Instructions

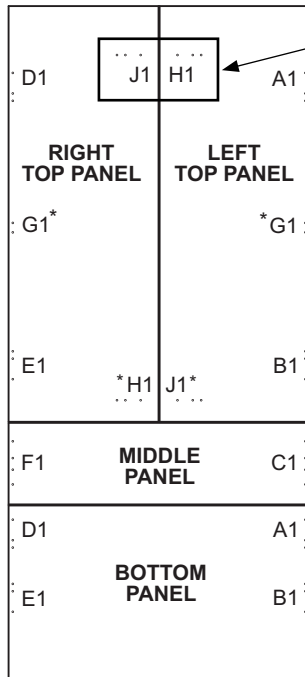
## PANEL PREP

- Panel brackets are shipped with the refrigerator in the convertible (middle) drawer. Use the M4 machine screws provided with the stainless steel door panel kit to install brackets. Do not tighten screws.

- Follow door handle install instructions provided in the handle kits to install handles (sold separately).



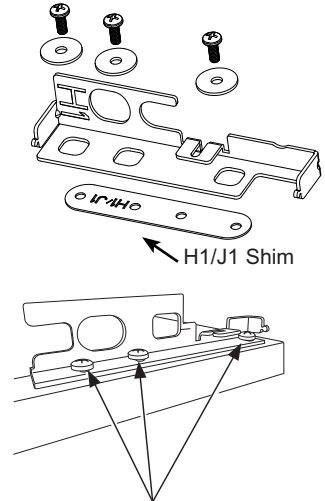
Single Door  
Rear View of Panels



French Door  
Rear View of Panels

During the installation of J1 and H1 brackets, use a small washer for every screw and install the H1/J1 shim (provided with the unit) beneath the bracket as shown in the illustration.

\* G1 brackets (and bottom H1 and J1 brackets for French door model) will be installed after door panels are hung.



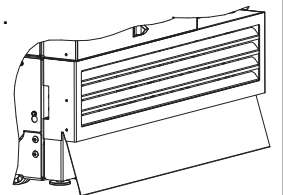
Do not tighten the screws, you will do that after assembly process and left to right alignment.

**Follow the remainder of the stainless steel door panel installation instructions in the unit installation instructions to adjust and secure the door panels.**

## TOE KICK INSTALLATION

- This kit provides a stainless steel toe kick for a single, integrated unit installation. Refer to the unit installation instructions for information on custom toe kicks and stainless steel standard and dual installation toe kicks.
- The toe kick attaches to the refrigerator by using a magnet that can be found in the box of parts that was taped to the side of the unit.

- Adhere magnet to back side of toe kick. The surface of the toe kick where the magnet is to be placed must be clean and free of foreign material. Center magnet vertically and horizontally.
- Position toe kick on bottom portion of the front access cover.



Instructions for this kit are also included in the full installation instructions included with the unit.

Les instructions de cette trousse sont également incluses dans les instructions d'installation complètes fournies avec l'appareil.

Las instrucciones de este kit también están incluidas en las instrucciones de instalación completas enviadas junto con la unidad.