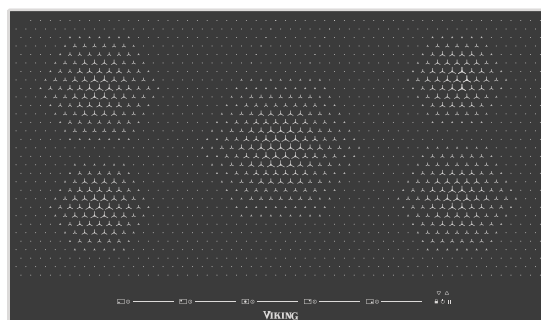
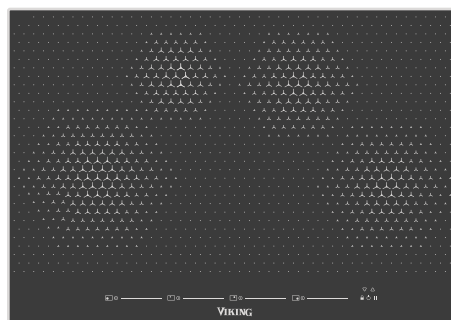


Installation GUIDE



6 SERIES

Built-In Induction Cooktops

MVIC630

MVIC636


Table of Contents

| | |
|--|----|
| Warnings & Important Safety Instructions _____ | 3 |
| Specifications (Induction Cooktops) _____ | 4 |
| Dimensions (Induction Cooktops) _____ | 5 |
| Cutout Dimensions - Standard Install _____ | 6 |
| Cutout Dimensions - Flush Install _____ | 7 |
| Clearance Dimensions _____ | 8 |
| Electrical Requirements _____ | 10 |
| General Information _____ | 10 |
| Installation _____ | 11 |
| Final Preparation _____ | 11 |
| Performance Checklist _____ | 12 |
| Service & Registration _____ | 12 |

- Before beginning, please read these instructions completely and carefully.

Your safety and the safety of others is very important.

We have provided many important safety messages in this manual and on your appliance. **ALWAYS** read and obey all safety messages.

This is the safety alert symbol. This  symbol alerts you to hazards that can kill or hurt you and others.

All safety messages will be preceded by the safety alert symbol and the word “DANGER,” “WARNING” or “CAUTION.” These words mean:

 DANGER

Hazards or unsafe practices which WILL result in severe personal injury or death

 WARNING

Hazards or unsafe practices which COULD result in severe personal injury or death

 CAUTION

Hazards or unsafe practices which COULD result in minor personal injury or property damage.


All safety messages will identify the hazard, tell you how to reduce the chance of injury, and tell you what can happen if the instructions are not followed.

IMPORTANT – Please Read and Follow!

- **DO NOT** remove permanently affixed labels, warnings, or plates from product. This may void the warranty.
- Please ensure that this product is properly grounded.
- The installer must leave these instructions with the consumer who should retain for local inspector's use and for future reference.
- Installation must conform with local codes or, in the absence of codes, the National Electrical Code, ANSI/NFPA 70-latest edition.


In Canada: Electrical installation must be in accordance with the current CSA C22.1 Canadian Electrical Codes Part 1 and/or local codes.

⚠ WARNING



BURN HAZARD
The use of cabinets for storage above the appliance may result in potential burn hazard. Combustible items may ignite, metallic items may become hot and cause burns. If a cabinet storage is to be provided the risk can be reduced by installing a range hood that projects horizontally a minimum of 5" (12.7 cm) beyond the bottom of the cabinets.

⚠ WARNING




ELECTRICAL GROUNDING INSTRUCTIONS
This cooktop must be electrically grounded in accordance with local codes or, in the absence of codes, with the National Electrical Code, ANSI/NFPA 70-latest edition. **FOR PERSONAL SAFETY, THIS APPLIANCE MUST BE PROPERLY GROUNDED.**

⚠ WARNING


The power supply board is provided with the power supply, type RAC03-24SC/277, manufactured by Recom, rated Input 100-277Vac, Output 24V/125mA is UL recognized under QAQGQ2/8.E224736. The external overcurrent protection of the primary for this power supply is max.20A.

⚠ CAUTION




Be sure the electric power is off from the breaker box to the junction box until the cooktop is installed and ready to operate. The junction box should be connected to a suitable ground.

⚠ WARNING



The electrical power to the unit must be shut off while line connections are being made. Failure to do so could result in serious injury or death.

⚠ WARNING



FIRE AND ELECTRICAL SHOCK HAZARD
DO NOT use an extension cord with this appliance. Such use may result in fire, electrical shock, or other personal injury.

⚠ WARNING

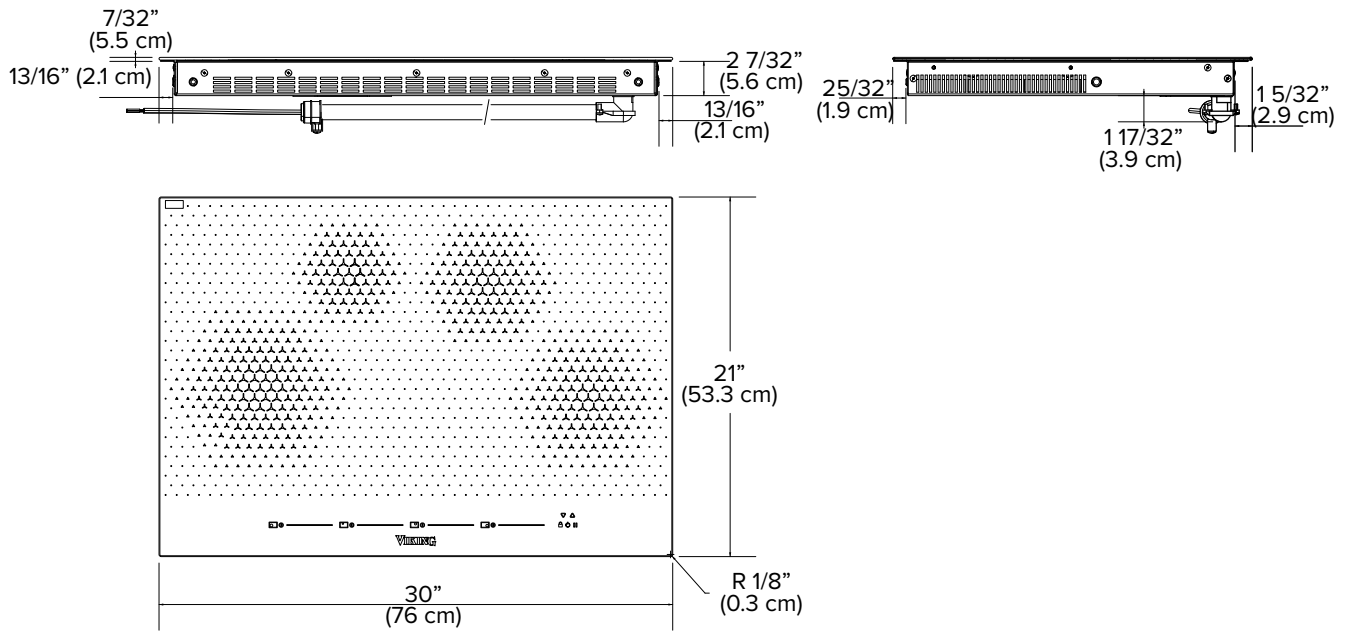
Stationary appliances not fitted with means for disconnection from the supply mains having a contact separation in all poles that provide full disconnection under overvoltage category III, means for disconnection must be incorporated in the fixed wiring in accordance with the wiring codes.

Specifications (Induction Cooktops)

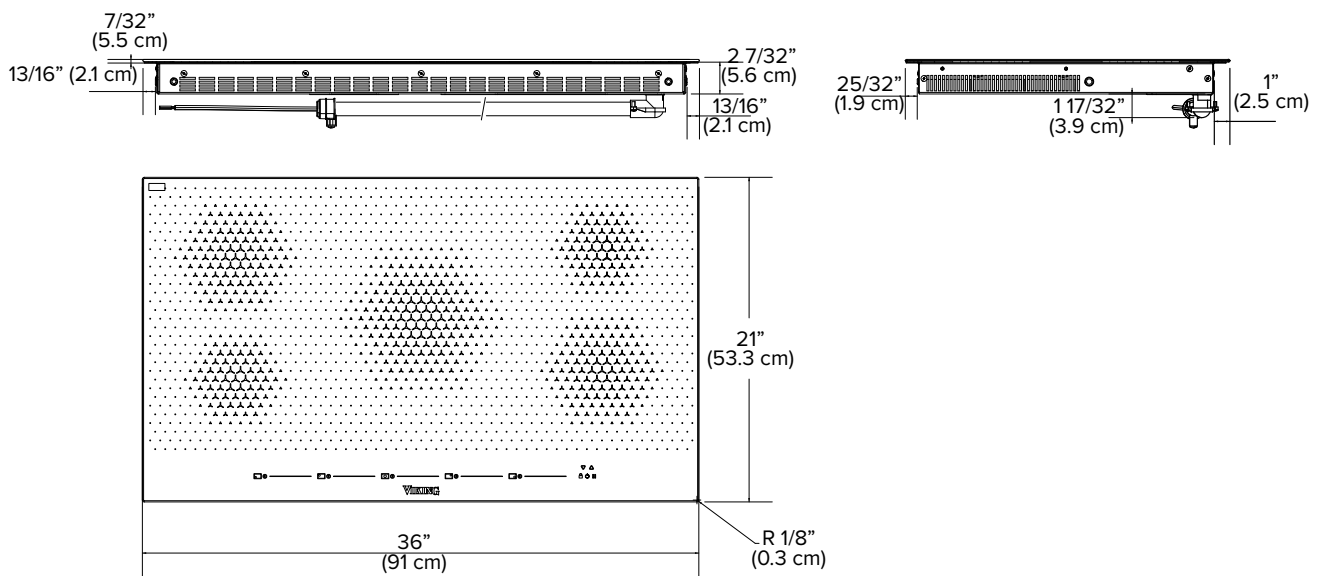
| MVIC Induction Cooktop | | |
|--|---|---|
| Description | 30" W. - 76 cm Wide | 36" W. - 91 cm Wide |
| Overall width | 30" (76.2 cm) | 36" (91.4 cm) |
| Overall height from bottom To top of cooking surface To bottom edge of frame | 2-1/4" (5.7 cm) 2" (5.1 cm) | |
| Overall depth from rear | 21" (53.3 cm) | |
| Electrical requirements | 240 VAC; 60Hz; factory-installed 4 ft. (121.9 cm) flexible steel conduit 3-wire conduit with a No. 10 ground wire; located on the right rear corner of unit | |
| Maximum amp usage | 240V—32.2 amps (7.7 kw) | 240V—48.3 amps (11.6 kw) |
| Surface element rating | (1) 1400W / 2200W boost (2) 1850W / 3000W boost (1) 2300W / 3700W boost | (2) 1850W / 3000W boost (2) 1400W / 2200W boost (1) 3000W / 5500W boost |
| Approximate shipping weight | 52 lb. (23.6 kg) | 56 lb. (24.4 kg) |

Dimensions (Induction Cooktops)

30" W. (76 cm) Cooktop



36" W. (91 cm) Cooktop



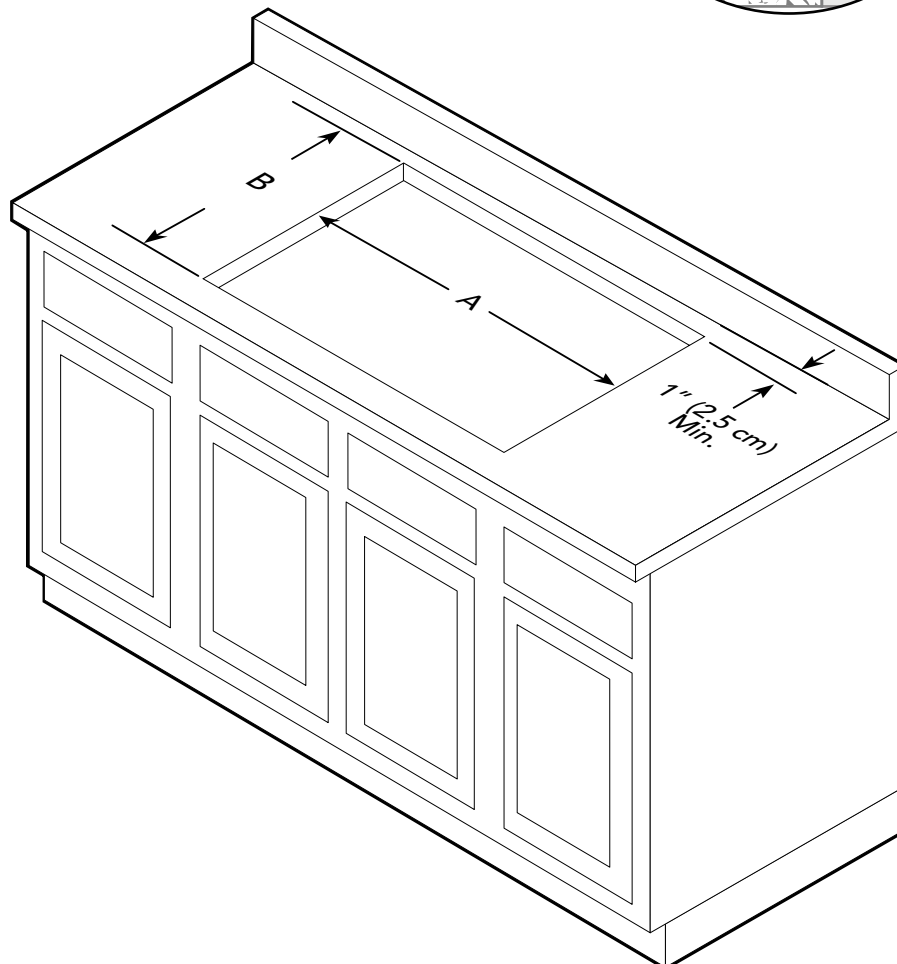
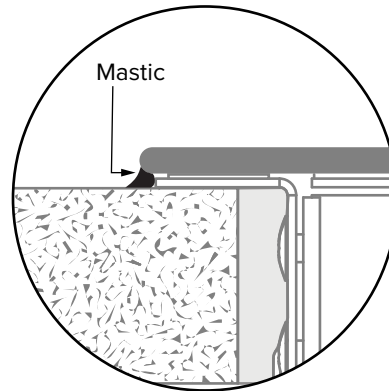
Cutout Dimensions - Standard Install

| MVIC | | |
|------|--|--|
| | 30"W. MODELS | 36"W. MODELS |
| A | 28-1/2" (72.4 cm) min. to 29" (73.7 cm) max. | 34-1/2" (87.6 cm) min. to 35" (88.9 cm) max. |
| B | 19-1/2" (49.5 cm) minimum to 20" (50.8 cm) maximum | |

- After installation, seal the remaining gap around the perimeter of the cooktop with heat-resistant silicone as shown. For granite & marble, only use silicone that is specially formulated for granite & marble. Observe the sealant manufacturer's instructions.

Note: Based on 24" deep cabinet with 3/4" backsplash.

Install Note: Be careful not to damage the cooktop glass by over tightening.

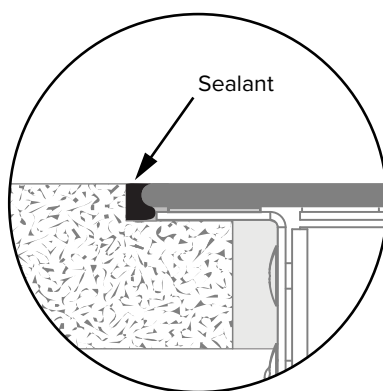
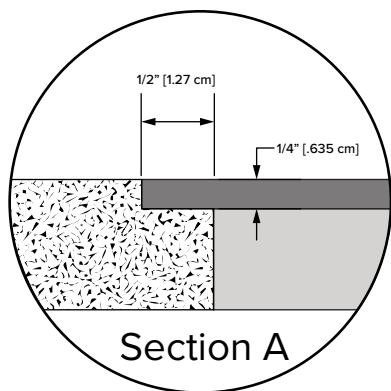
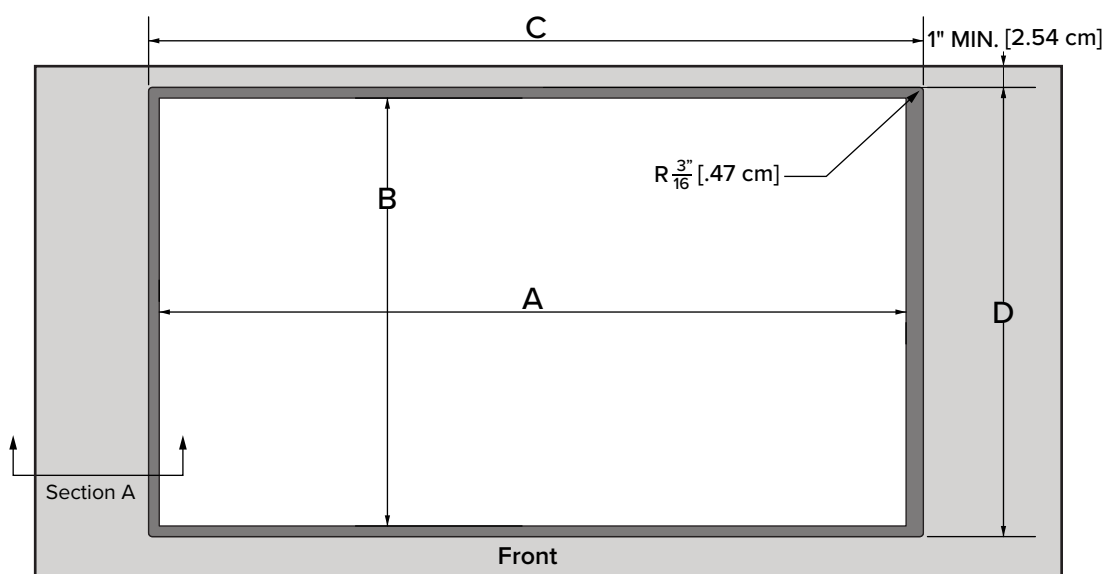


Cutout Dimensions - Flush Install

| MVIC | | |
|------|-------------------|-------------------|
| | 30"W. MODELS | 36"W. MODELS |
| A | 28-1/8" (73.9 cm) | 35-1/8" (89.2 cm) |
| B | 20-1/8" (51.1 cm) | |
| C | 30-1/8" (76.5 cm) | 36-1/8" (91.7 cm) |
| D | 21-1/8" (53.7 cm) | |

Note: Based on 24" deep cabinet with 3/4" backsplash.

Install Note: Be careful not to damage the cooktop glass by over tightening.



- After installation, seal the remaining gap around the perimeter of the cooktop with heat-resistant silicone as shown. For granite & marble, only use silicone that is specially formulated for granite & marble. Observe the sealant manufacturer's instructions.

Clearance Dimensions

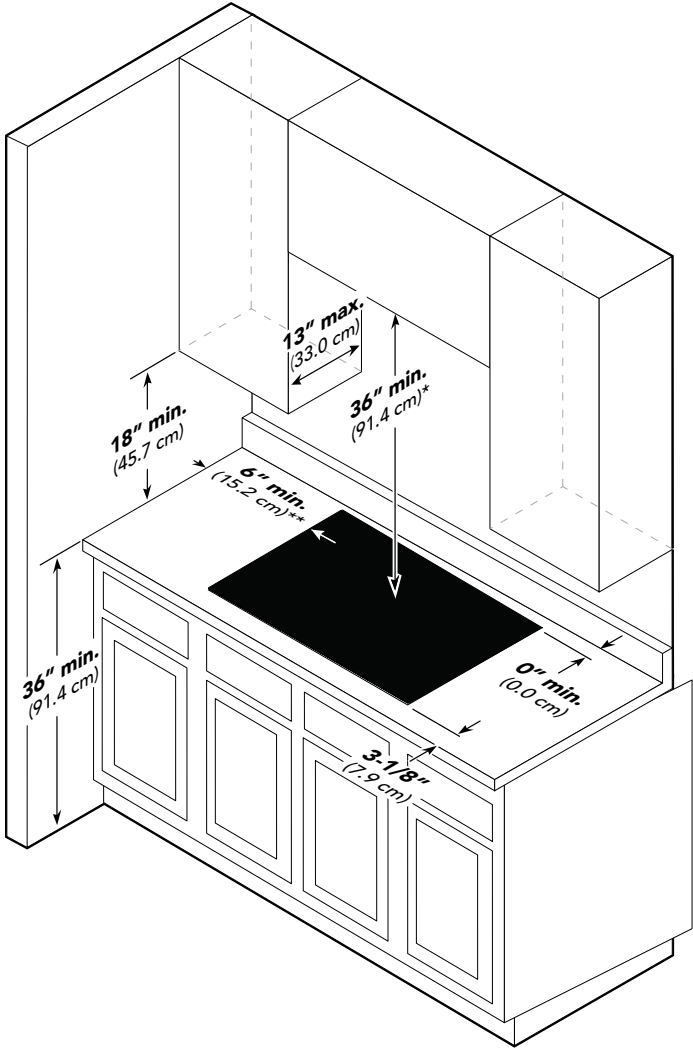
PROXIMITY TO SIDE CABINET INSTALLATION

- The cooktop may be installed directly to existing base cabinets.
- The cooktop **CANNOT** be installed directly adjacent to sidewalls, tall cabinets, tall appliances, or other side vertical surfaces above 36" (91.4 cm) high. There must be a minimum of 6" (15.2 cm) side clearance from the cooktop to such combustible surfaces above the 36" (91.4 cm) counter height.
- Within the 6" (15.2 cm) side clearance to combustible vertical surfaces above 36" (91.4 cm), the maximum wall cabinet depth must be 13" (33.0 cm) and wall cabinets within this 6" (15.2 cm) side clearance must be 18" (45.7 cm) above the 36" (91.4 cm) high countertop.
- Wall cabinet above the cooktop must be a minimum of 36" (91.4 cm) above the countertop for a full width of the cooktop.
- If a ventilation hood is installed over the cooktop, the minimum 36" (91.4 cm) height clearance above the unit does not apply. Refer to the hood installation instructions for further information.

Note: Dimensions shown are for use with combustible surfaces unless otherwise stated.

Minimum Clearances from Adjacent Combustible Construction

- Above countertop 36" (91.4 cm) minimum
- Side 6" (15.2 cm)
- Rear 0" (0.0 cm)
- Within 6" side clearance. Wall cabinets no deeper than 13" (33.0 cm)
- Must be minimum 18" (45.7 cm) above countertop
- Wall cabinets directly above the product must be minimum 36" (91.4 cm) above the countertop

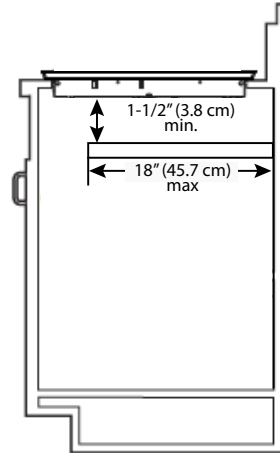


Clearance Dimensions

INTERIOR CABINET CLEARANCES INDUCTION COOKTOPS

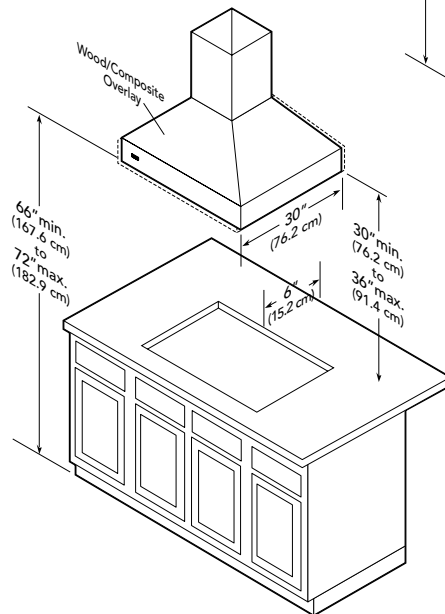
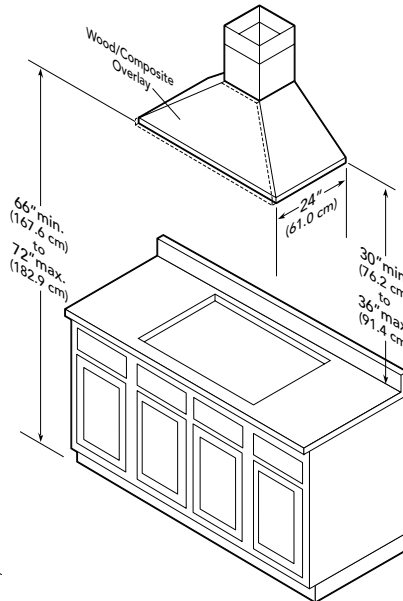
IMPORTANT: The electronic components for the induction elements in the cooktop need air circulation. To ensure long life of electronic components, it is required that 1-1/2 (3.8 cm) or more open space remains between the bottom of the cooktop and any shelf underneath. The maximum length of the shelf or any other structures underneath is 18" (45.7 cm). It is required that the exit air ports at the front are not blocked.

Installation must conform with local codes or, in the absence of codes, the National Electrical Code, ANSI/NFPA 70-latest edition.



WOOD/COMPOSITE OVERLAY

The bottom of a standard hood should be 30" (76.2 cm) min. to 36" (91.4 cm) max. above the countertop. This would typically result in the bottom of the hood being 66" (167.6 cm) to 72" (182.9 cm) above the floor. Refer to the rangehood installation instructions for additional information. These dimensions provide for safe and efficient operation of the hood.



Electrical Requirements

⚠ WARNING



BURN HAZARD

The use of cabinets for storage above the appliance may result in potential burn hazard. Combustible items may ignite, metallic items may become hot and cause burns. If a cabinet storage is to be provided the risk can be reduced by installing a range hood that projects horizontally a minimum of 5" (12.7 cm) beyond the bottom of the cabinets.

Electrical Requirements

Check your local codes regarding this unit. This cooktop is supplied with a 3-wire, A.C. 240 volt, 60 HZ electrical system. A white (neutral) is not needed for this unit. *See next section for grounding instructions.* It should be fused separately.

⚠ CAUTION



Be sure the electric power is off from the breaker box to the junction box until the cooktop is installed and ready to operate. The junction box should be connected to a suitable ground.

Refer to the specifications chart for kilowatt rating and recommended amperage. House wiring and fusing must comply with local codes. If no local codes are applicable, wire in accordance with the National Electrical Code, ANSI/NFPA 70-latest edition.

⚠ WARNING



The electrical power to the unit must be shut off while line connections are being made.

Failure to do so could result in serious injury or death.

Electrical Connection

When making the wire connections, use the entire length of the conduit provided (4 feet). The conduit must not be cut. Connect the red and black leads from the unit conduit to the corresponding leads in the junction box. The bare ground wire in the conduit is connected to the unit frame. When connecting to a 3-conductor branch circuit, connect the bare ground connector lead of the unit to the branch circuit ground (bare wire or green in color).

⚠ WARNING



FIRE AND ELECTRICAL SHOCK HAZARD

DO NOT use an extension cord with this appliance. Such use may result in fire, electrical shock, or other personal injury.

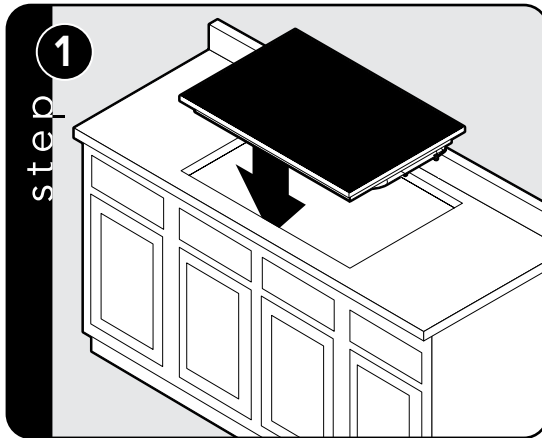


General Information

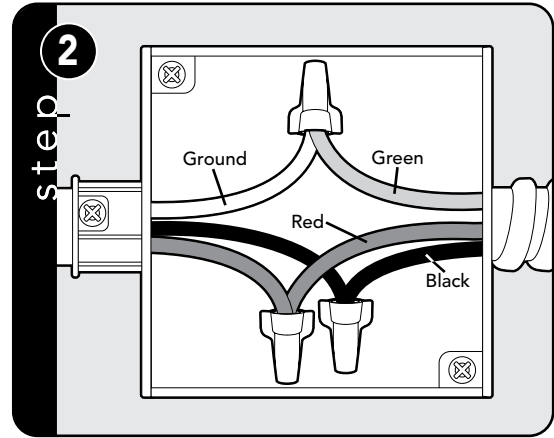
READ AND FOLLOW ALL WARNING AND CAUTION INFORMATION WHEN INSTALLING THIS APPLIANCE.

- Keep appliance area clear and free from combustible materials, gasoline and other flammable vapors.
- When removing the cooktop for service, disconnect AC power supply.
- Electrical requirements are listed in the product specifications under the "Electrical Requirements" section.

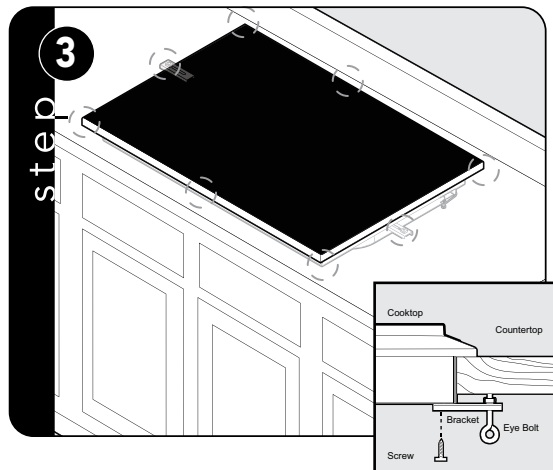
Installation



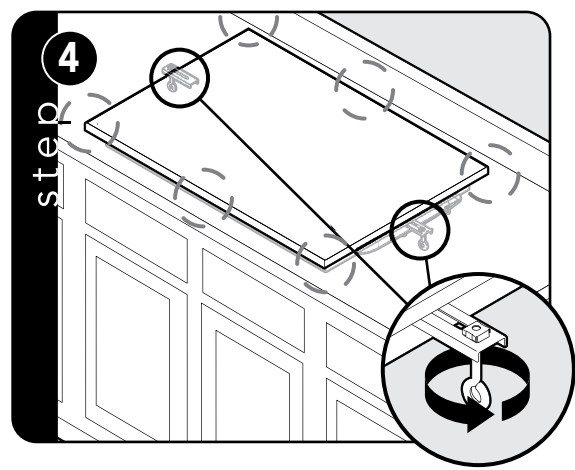
Lower cooktop into cutout.



Connect the red and black leads from the unit conduit to the corresponding leads in the junction box.



Screw hold down brackets to the burner box using the #10 x 1/2" sheet metal screws. There are 6 bracket assemblies included. There must be a minimum of 2 brackets installed with the possibility of up to 6 in locations noted depending on installation



Screw eye bolt into brackets and tighten firmly against bottom of countertop.
Note: Be careful not to crack or damage counter by overtightening.

IMPORTANT

DO NOT install the unit above an undercounter-installed wall oven.

Final Preparation

All body parts should be wiped with hot, soapy water and with a liquid cleaner designed for this material.

Performance Checklist

A qualified installer should carry out the following checks:

Check top surface elements

1. Starting with the left front element, turn the corresponding knob to the HI position—left front indicator should flash.
2. Place an induction compatible piece of cookware onto the left front burner—left front indicator should be solid.
3. Remove cookware and repeat steps for other elements.

Service & Registration

Only authorized replacement parts may be used in performing service on the cooktop.

DO NOT repair or replace any part of the appliance unless specifically recommended in the manual. All other servicing should be referred to a qualified technician.

Contact Viking Range, LLC, 1-888-(845-4641), for the nearest service parts distributor in your area or write to:

**VIKING RANGE, LLC
PREFERRED SERVICE
111 Front Street
Greenwood, Mississippi 38930 USA**

Cooktop – The serial number and model number for your appliance can be found by looking under the unit. Record the information indicated below. You will need it if service is ever required.

Model number _____

Serial number _____

Date of purchase _____

Date installed _____

Dealer's name _____

Address _____

These installation instructions should remain with the unit for future reference.

Viking Range, LLC
111 Front Street
Greenwood, Mississippi 38930 USA
(662) 455-1200

For product information, call 1-888-(845-4641) or
visit our web site at vikingrange.com.