



## Dishwasher

DSD565

50 series

Noise level (max): 40 dB(A)

Number of place settings: 16 pcs

Number of racks: 3

Size: XL

Residual heat

Installation: Panel ready



AMERICANS WITH  
DISABILITIES ACT



Most Efficient  
2025  
www.energystar.gov

### Construction and performance

- 8 Steel™ - Vital parts of the dishwasher made in stainless steel: Yes
- No need to rinse the dishes thanks to Super Cleaning System™: Yes
- Automatic water-softener for better washing performance: No
- Number of spray arms: 3 pcs
- Number of spray zones: 9
- Cleaning systems: Cutlery Spray™ - Extra dishwashing power for the cutlery basket, No need to rinse the dishes thanks to Super Cleaning System™, Aqua Level™ Sensor, Sensi Clean™ Sensor - measures dirtiness level, Stainless steel spray arms, Adjustable power zones that can be set for cleaning Pots & Pans or Bottles & Vases. Can also be turned off., The water pressure is adapted depending on program, type of dishes and dirtiness level.

### Use and flexibility

- Number of place settings: 16 pcs
- Number of racks: 3
- Top tray: Easy height adjustment, With telescopic rails, Handle, Removable, Guide rails with ball bearings
- Upper rack type: Exclusive, all tines are foldable, divisible/foldable wine shelves, Light Lock™ for fastening lightweight items
- Upper basket system: Easy height adjustable with lever
- Upper basket: Dividable pin rows, Wine glass fixings in TPE, Sliding tines for easy adaptation to stone ware etc., Perfect ergonomics with easy sliding telescopic rails, Light Lock™ for fastening lightweight items, China Guard - Protects fragile load from the rotating spray arm, Extra wide knife stand, Two foldable glass supports, Divisible/foldable wine shelves to left, Foldable wine shelves to right, Handle with ASKO logo, Small distance between the basket threads - makes loading easy and prevents small items to fall through
- Middle basket: Without middle basket
- Lower rack type: Exclusive
- Lower rack: Sliding tines for easy adaptation to stone ware etc., Cutlery basket, Vase/bottle holder for cleaning vases/baby bottles, Foldable/divisible front pin row, Foldable/divisible rear pin row, Handle with ASKO logo, Small distance between the basket threads - makes loading easy and prevents small items to fall through.
- Automatic dosing system: No
- Interior light: Yes, 2 LED lights

### Interaction and control

- Wifi: Yes
- Type of display: LCD display
- Status Light™ - Visual indication of dishwashing progress: Yes
- Remaining time indication: Yes
- Wash end indication: Displayed with sound and light

- Language settings: Chinese simplified, Chinese traditional, Swedish, Slovenian, Slovak, Russian, Portuguese, Polish, Norwegian, Dutch, Latvian, Lithuanian, Japanese, Italian, Croatian, French, Finnish, Estonian, Spanish, English, German, Danish, Czech, Ukrainian

#### Functions, programs and modes

- Programs: Intensive program, Auto wash, Standard, Time program, Rinse and hold programme, Quick Pro wash, Self cleaning, Sanitize
- Delayed start: Possible to delay up to 24 hours
- Options and modes: Heat Boost Mode, Night mode - Lower noise level. The program time is extended., Speed mode - The program time is shortened. More energy is used., Green mode - Less energy and water is used. The program time is extended, Time set, Super Rinse™ - Two extra rinses, Enable/disable automatic door opening, Light sabbath mode

#### Design and integration

- From the front adjustable door spring: Yes
- From front adjustable rear foot: Yes
- Installation: Velcro strips for easy mounting and adjustment of the separate custom door, Multi fit outlet hose, Integrated anti-siphon - Prevents spontaneous in- and outlet of water and simplifies elevated installation, Trim kit, Steam protection strip
- Sliding door: Yes
- Possible to install elevated: Yes
- Custom door size: Custom door size 720-800
- Min. niche width: 24 "
- Min. niche height: 32 5/16 "
- Depth (incl. wall spacing): 21 7/8 "
- Max Height adjustment: 2 1/16 "

#### Safety and maintenance

- Aqua Safe™: Anti Block™ - Self cleaning drain pump, Light and sound alarm, Maximum time for water intake, Extra durable PEX inlet hose, Stand-by water protection - Leakage detection when machine is off, Aqua Level™ Sensor - Ensures an optimized water level, Aqua Detect™ - Instant recognition of any leakage in the motor compartment, Detection of water leakage on the bottom plate, Waterproof bottom plate, Extra durable stainless steel container, Sealing points outside container
- Aqua Safe™ system: Yes
- Child safety: Kid Safe™ - Lockable controls
- Indication of low level of rinse-aid: Notification in display

#### Technical data

- Water connection: Hot or cold
- Adapter for water connection: No
- Max. temperature of inflow water: 140 °F
- Noise level (max): 40 dB(A)
- Reference programme: 1
- Duration of standard programme: 125 min
- Estimated yearly energy consumption: 220 kWh
- Energy consumption - normal program: 1 kWh
- Estimated annual water consumption: 647.5 gal
- Water consumption: 3 gal
- Power consumption in standby mode: 0.5 W
- Plug type: USA
- Connected load: 1300 W
- Voltage (V): 120 V
- Number of phases: 1
- Fuse: 15 A
- Frequency: 60 Hz
- Required inlet water pressure psi: 0,03-1
- Net weight: 90.4 lb
- ISO 9001 certified manufacturer: Yes

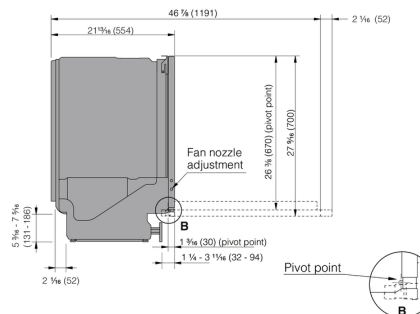
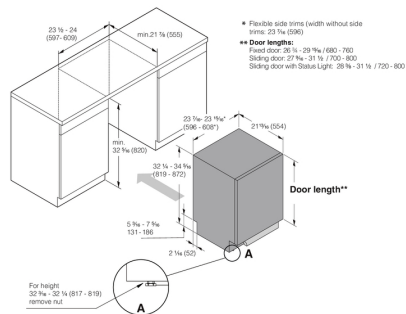
#### Dimensions

- Width: 23 15/16 "
- Height: 32 1/4 "
- Depth: 21 13/16 "
- Maximum product height: 34 5/16 "

- Length of electrical cord: 71 7/16 "
- Depth with door open: 48 15/16 "
- Length inlet hose: 64 3/16 "
- Length outlet hose: 90 9/16 "

### Logistic information

- Packaging width: 25 3/16 "
- Packaging height: 35 1/16 "
- Packaging depth: 27 3/8 "
- Gross weight: 97 lb
- Product code: 740098
- EAN code: 3838782650666



### Door trajectories

