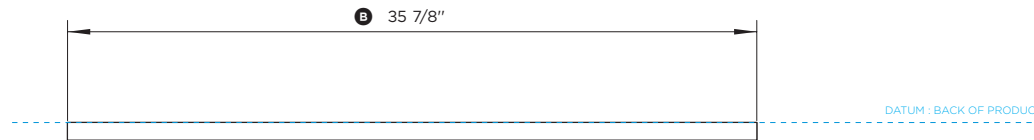
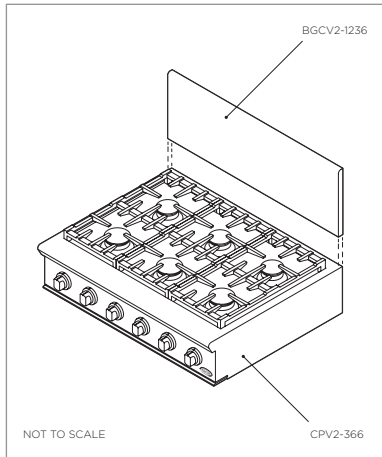
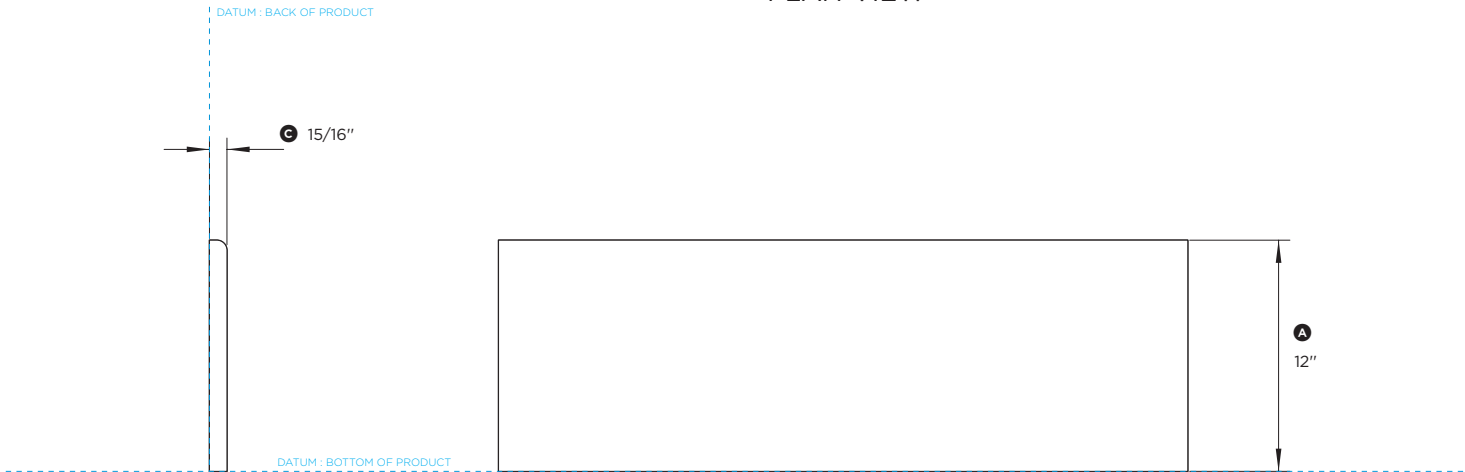


Data Sheet

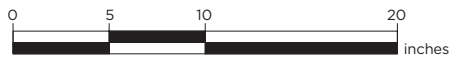


PLAN VIEW



PROFILE VIEW

FRONT VIEW



36" Professional Cooktop Backguard

Model no:

BGCV2-1236 (refer page 2 for metric measurements)

Product Dimensions	in
Ⓐ Overall height of backguard	12"
Ⓑ Overall width of backguard	35 7/8"
Ⓒ Overall depth of backguard	15/16"

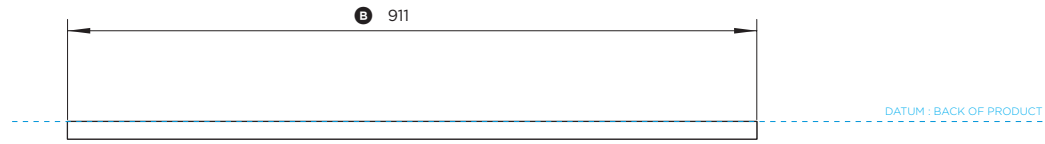
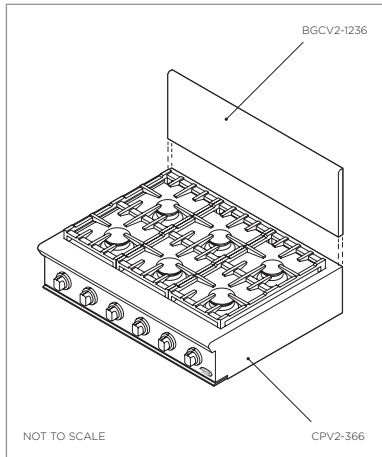
INDICATES PRODUCT DATUM -----

DATE: **20.01.2016**

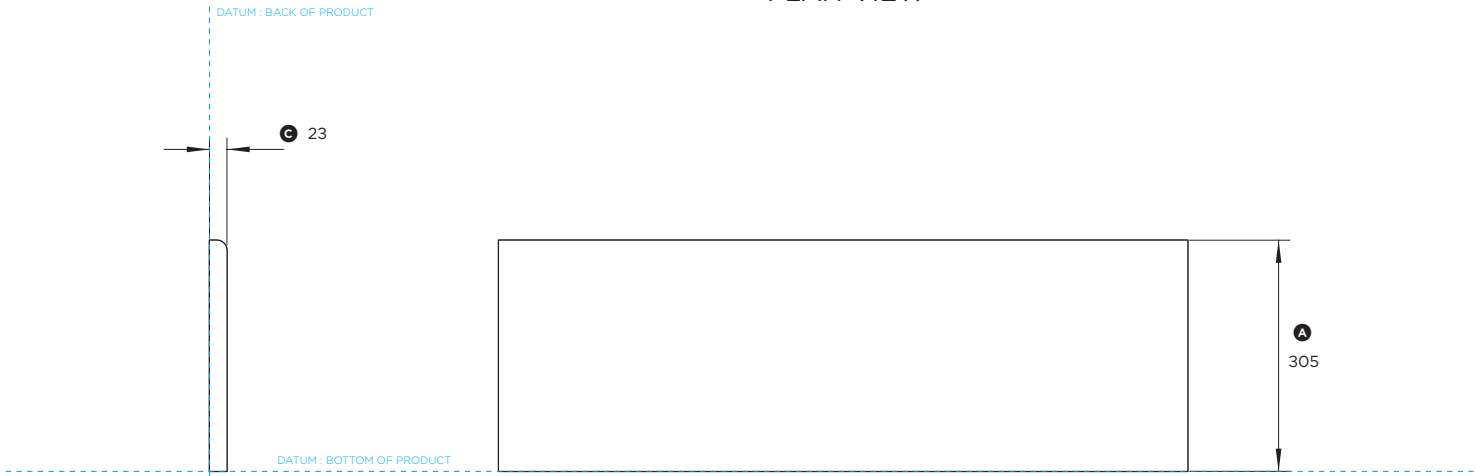
IMPORTANT NOTE: Throughout this guide, dimensions may vary by ±2mm (3/32"). Please read the installation manual for detailed information on installing the product. For full installation instructions & specifications visit dcsappliances.com



Data Sheet



PLAN VIEW



PROFILE VIEW

FRONT VIEW



36" Professional Cooktop Backguard

Model no:

BGCV2-1236 (refer page 1 for imperial measurements)

Product Dimensions	mm
Ⓐ Overall height of backguard	305
Ⓑ Overall width of backguard	911
Ⓒ Overall depth of backguard	23

INDICATES PRODUCT DATUM -----

DATE: 20.01.2016

IMPORTANT NOTE: Throughout this guide, dimensions may vary by ±2mm (3/32"). Please read the installation manual for detailed information on installing the product. For full installation instructions & specifications visit dcsappliances.com

