

Gaggenau

Installation instructions.....2
Notice de montage13
Instrucciones de instalación.....23

AR 401 742

Remote fan unit

Moteur

Módulo del ventilador

IMPORTANT SAFETY INSTRUCTIONS	3
Safety definitions	3
General safety instructions	3
Appliance Handling Safety	4
Safety Codes and Standards	4
Electrical safety Proposition	5
65 Warning	5
Operating odes	6
Installation preparation	7
Check wall	7
Electrical connection	7
Before you begin	8
Tools and parts needed	8
Parts included	8
Exhaust connection	8
Installing the appliance	9
Installing the appliance on a wall	9
Connect appliance	10
Additional switching output	10
Networked operation	11
Connect Electrical Supply	11
Removing the appliance	12
Customer service	12



IMPORTANT SAFETY INSTRUCTIONS

READ AND SAVE THESE INSTRUCTIONS

Read all of the instructions carefully before using the appliance. In order to reduce the risk of fire, electric shocks and personal injuries when using the appliance, follow the basic safety precautions, including the following safety instructions.

1.1 Safety definitions

Here you can find explanations of the safety signal words used in this manual.

WARNING

This indicates that death or serious injuries may occur as a result of non-observance of this warning.

CAUTION

This indicates that minor or moderate injuries may occur as a result of non-observance of this warning.

NOTICE:

This indicates that damage to the appliance or property may occur as a result of non-compliance with this advisory.

Note: This alerts you to important information.

1.2 General safety instructions

IMPORTANT: SAVE THESE INSTRUCTIONS FOR THE LOCAL ELECTRICAL INSPECTOR'S USE.

OWNER: PLEASE RETAIN THESE INSTRUCTIONS FOR FUTURE REFERENCE.

INSTALLER: LEAVE THESE INSTRUCTIONS WITH THE APPLIANCE AFTER INSTALLATION IS COMPLETE.

Examine the appliance after unpacking it. In the event of transport damage, do not plug it in.

WARNING

If the information in this manual is not followed exactly, fire or shock may result causing property damage or personal injury.

Do not repair, replace or remove any part of the appliance unless specifically recommended in the manuals.

Improper installation, service or maintenance can cause injury or property damage.

- ▶ Refer to this manual for guidance.
- ▶ All other servicing should be done by an authorized service provider.

WARNING

TO REDUCE THE RISK OF FIRE, ELECTRIC SHOCK, OR INJURY TO PERSONS, OBSERVE THE FOLLOWING.

- ▶ Installation work and electrical wiring must be done by qualified person(s) in accordance with all applicable codes and standards, including fire-rated construction.
- ▶ Sufficient air is needed for proper combustion and exhausting of gases through the flue (chimney) of fuel burning equipment to prevent back drafting. Follow the heating equipment manufacturer's guideline and safety standards such as those published by the National Fire Protection Association (NFPA), and the American Society for Heating, Refrigeration and Air Conditioning Engineers (ASHRAE), and the local code authorities.
- ▶ When cutting or drilling into wall or ceiling, do not damage electrical wiring and other hidden utilities.
- ▶ Ducted fans used to exhaust contaminants must always be vented to the outdoors.

The applicable regulations of the energy supply companies and the regional construction regulations must be observed when installing the hood.

This appliance is intended for normal family household use only. It is not approved for outdoor use. See the Statement of Limited Product Warranty. If you have any questions, contact the manufacturer.

WARNING

Operating several gas burners at the same time gives rise to a great deal of heat. The ventilation appliance may become damaged or catch fire.

- ▶ The ventilation appliance must only be combined with gas burners that do not exceed the maximum total output of 61,000 BTU/hr (18 kW). If 41,000 BTU/hr (12 kW) is exceeded, the local regulations concerning room ventilation, room size, and combination with ventilation devices in exhaust and recirculating operation must be followed.

WARNING

When the hood is operated in exhaust-air mode simultaneously with a different burner which also makes use of the same chimney (such as gas, oil or coal-fired heaters, continuous-flow heaters, hot-water boilers) care must be taken to ensure that there is an adequate supply of fresh air which will be needed by the burner for combustion. Safe operation is possible provided that the under pressure in the room where the burner is installed does not exceed 4 Pa (0.04 mbar). This can be achieved if combustion air can flow through non-lockable openings,



IMPORTANT SAFETY INSTRUCTIONS

READ AND SAVE THESE INSTRUCTIONS

e.g. in doors, windows and via the air-intake/exhaust-air wall box or by other technical measures, such as reciprocal interlocking, etc.

Avoid carbon monoxide poisoning – Provide adequate air intake so combustion gases are not drawn back into the room. An air-intake/exhaust-air wall box by itself is no guarantee that the limiting value will not be exceeded.

- ▶ Note: When assessing the overall requirement, the combined ventilation system for the entire household must be taken into consideration. This rule does not apply to the use of cooking appliances, such as cooktops and ovens.

CAUTION

For general ventilating use only.

- ▶ To avoid a fire or explosion hazard, do not use to exhaust hazardous or explosive materials and vapors.

WARNING

Never modify or alter the construction of the appliance. The appliance should only be used if installed by a qualified technician in accordance with these installation instructions. The manufacturer is not responsible for any damage resulting from incorrect installation.

WARNING

Remove all tape and packaging before using the appliance.

- ▶ Destroy the packaging after unpacking the appliance.
- ▶ Dispose of packaging in an environmentally responsible manner.
- ▶ Never allow children to play with packaging material.

NOTICE:

Risk of damage from condensation back flow.

- ▶ Install exhaust vent at a slight downward slope away from the appliance (1° slope).

WARNING

TO REDUCE THE RISK OF FIRE, ELECTRIC SHOCK, OR INJURY TO PERSONS, OBSERVE THE FOLLOWING:

- ▶ Use this unit only in the manner intended by the manufacturer. If you have questions, contact the manufacturer.
→ "Customer Service", Page 6
- ▶ Before servicing or cleaning the unit, switch power off at service panel and lock service panel. This will prevent power from being switched on accidentally.

When the service panel cannot be locked, securely fasten a prominent warning device, such as a tag to the service panel.

WARNING

TO REDUCE THE RISK OF FIRE, USE ONLY METAL DUCTWORK.

CAUTION

To reduce risk of fire and to properly exhaust air, be sure to duct air outside.

- ▶ Do not vent exhaust air into spaces within walls or ceilings or into attics, crawl spaces, or garages.

WARNING

The control unit must be installed in a location where the cord cannot be easily reached by children.

WARNING

To reduce the risk of fire, electric shock or injury to persons, do not use replacement parts that have not been recommended by the manufacturer (e.g. parts made at home using a 3D printer).

1.3 Appliance handling safety

WARNING



Hidden surfaces may have sharp edges.

- ▶ Use caution when reaching behind or under appliance.

1.4 Safety codes and standards

This appliance complies with the latest version of one or more of the following standards:

- UL 507 - Electric Fans
- CSA C22.2 No. 60335-1 - Household and similar electrical appliances — Safety — Part 1: General requirements
- CSA C22.2 No. 60335-2-31 - Household and similar electrical appliances - Safety - Part 2-31: Particular requirements for range hoods and other cooking fume extractors

It is the responsibility of the owner and the installer to determine if additional requirements and/or standards apply to specific installations.



IMPORTANT SAFETY INSTRUCTIONS

READ AND SAVE THESE INSTRUCTIONS

1.5 Electrical safety

- **Installer** - show the owner the location of the circuit breaker or fuse. Mark it for easy reference.
- If required by the National Electrical Code (or Canadian Electrical Code), this appliance must be installed on a separate branch circuit.
- Local codes vary. The installer is responsible for ensuring that the installation, connections, and grounding comply with all applicable codes. The manufacturer is not responsible for any issues associated with the improper installation of this product.
- Be sure your appliance is properly installed and grounded by a qualified technician. Installation, electrical connections and grounding must comply with all applicable codes.
- Refer to the rating plate for more information.

WARNING

Before installing, turn power OFF at the service panel.

- ▶ Lock service panel to prevent power from being turned ON accidentally.

Frame grounded to neutral through a ground strap. Grounding through the neutral conductor is prohibited for new branch-circuit installations (1996 NEC), mobile homes, and recreational vehicles, or in an area where local codes prohibit grounding through the neutral conductor. For installations where grounding through the neutral conductor is prohibited,

- ▶ disconnect the link from the neutral,
- ▶ use grounding terminal or lead to ground unit,
- ▶ connect neutral terminal to lead branch circuit neutral in usual manner (when the appliance is to be connected by means of a cord kit, use a UL listed 4- conductor cord for this purpose).

This appliance must be grounded. Grounding reduces the risk of electric shock by providing a safe pathway for electric current in the event of a short circuit.

This appliance must be connected to a grounded, metallic, permanent wiring system, or an equipment grounding conductor should be run with the circuit conductors and connected to the equipment grounding terminal or lead on the appliance.

WARNING

IMPROPER GROUNDING CAN RESULT IN A RISK OF ELECTRIC SHOCK

- ▶ Consult a qualified electrician if the grounding instructions are not completely understood, or if doubt exists as to whether the appliance is properly grounded.
- ▶ **DO NOT USE AN EXTENSION CORD.**
- ▶ If the power supply cord is too short, have a qualified electrician install an outlet near the appliance.

Means for disconnection from the supply mains having a contact separation in all poles that provide full disconnection under overvoltage category III conditions must be incorporated in the fixed wiring in accordance with the wiring rules.

WARNING

To reduce the risk of fire or electric shock, do not use this appliance with any solid-state speed control device.

WARNING

Parts inside the appliance can have sharp edges. The power cord can be damaged.

- ▶ Do not bend or pinch the power cord during installation. Before you plug in an electrical cord or turn on power supply, make sure all controls are in the OFF position. To avoid risk of injury from improper repairs, observe the following.
- ▶ Only qualified technicians or authorized service providers should perform repairs.
- ▶ Only genuine spare parts may be used to repair the appliance.
- ▶ If the power cord of this appliance becomes damaged, it must be replaced by the manufacturer, the manufacturer's Customer Service, or an authorized service provider in order to prevent injury.

1.6 State of California Proposition 65 Warnings

This product may contain a chemical known to the State of California, which can cause cancer or reproductive harm. Therefore, the packaging of your product may bear the following label as required by California:

STATE OF CALIFORNIA PROPOSITION 65 WARNING:

 **WARNING**

Cancer and Reproductive Harm - www.P65Warnings.ca.gov

Operating modes

Exhaust-air mode

The air that is drawn in is cleaned by the grease filters and conducted to the outside via a duct system.



The air must not be discharged into a flue that is used for exhaust fumes from appliances burning gas or other fuels (not applicable for recirculation appliances).

- If the exhaust air is to be conducted into a non-functioning smoke or exhaust gas flue, you must obtain the consent of the responsible area heating inspector.
 - If the exhaust air is conducted through the outer wall, a telescopic wall box should be used.
-

Installation preparation

CAUTION

Ensure that there are no electric wires, gas or water pipes in the area where holes are to be made.

Check wall

- The walls must be smooth, vertical, and sufficiently load-bearing.
- The depth of the bore holes must be the same length as the screws. The wall plugs must have a secure grip.
- Suitable fasteners must be used for other structures, such as plasterboard, porous concrete, and porcelain bricks.
- The max. weight of the appliance is **approx. 15.5 lb (7 kg)**.
- Only specialist personnel may create the required wall breakthrough. The building support structure must remain in place.
- Risk of damage caused by returning condensate. Install the wall breakthrough with a slight outward gradient (1° downward slope).

Electrical connection

WARNING

Risk of electric shock

Parts inside the appliance can have sharp edges. The connection cable can be damaged. Do not bend or pinch connection cables during installation.

The required connection information is on the appliance's identification plate.

This appliance meets EC radio interference suppression requirements.

This appliance may only be connected to a correctly installed grounded socket.

Fit the grounded socket in close proximity to the appliance.

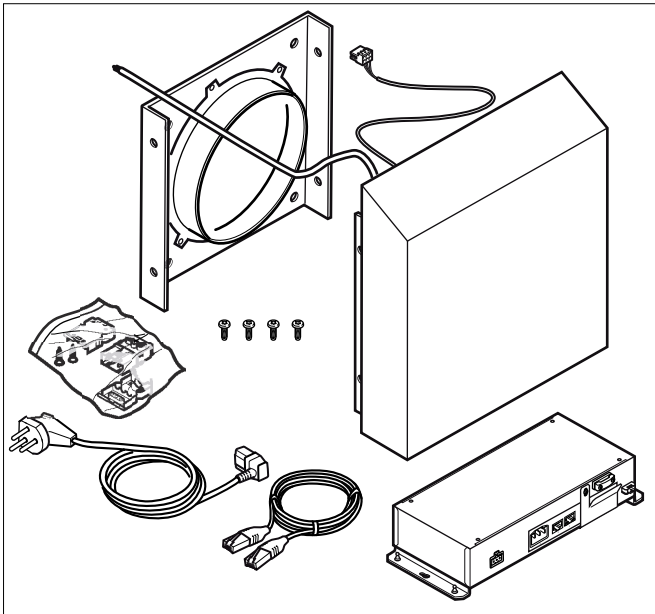
- The grounded socket should be connected via its own circuit.
- If the grounded socket is no longer accessible after installing the appliance, an all-pole isolating switch (e.g. circuit breaker, fuses and contactors) with at least a 3 mm contact gap must be included in the installation.

Before you begin

Tools and parts needed

- Torx screwdriver T20
- Pencil
- Drill with $\frac{5}{16}$ " (8 mm) bit
- Drill with $\frac{13}{16}$ " (20 mm) bit
- Jigsaw
- Tape Measure

Parts included



Exhaust connection

- Connecting piece dia. 8" (200 mm), enclosed
- **AD 704 040:** Pipe adapter 8"/6" (200/150 mm) round. Metal Zink plated. 8" round. Reduce 8" (200 mm) connection to 6" (159 mm) connection (Optional accessory, please order separately)
- **AD 704 050:** Air collector flat duct for AL400. Metal Zink plated. DN 150 flat. (Optional accessory, please order separately)
- **AD 702052:** Telescopic wall duct stainless steel 8" (200 mm) round DN 200 (Optional accessory, please order separately)

Connect appliance

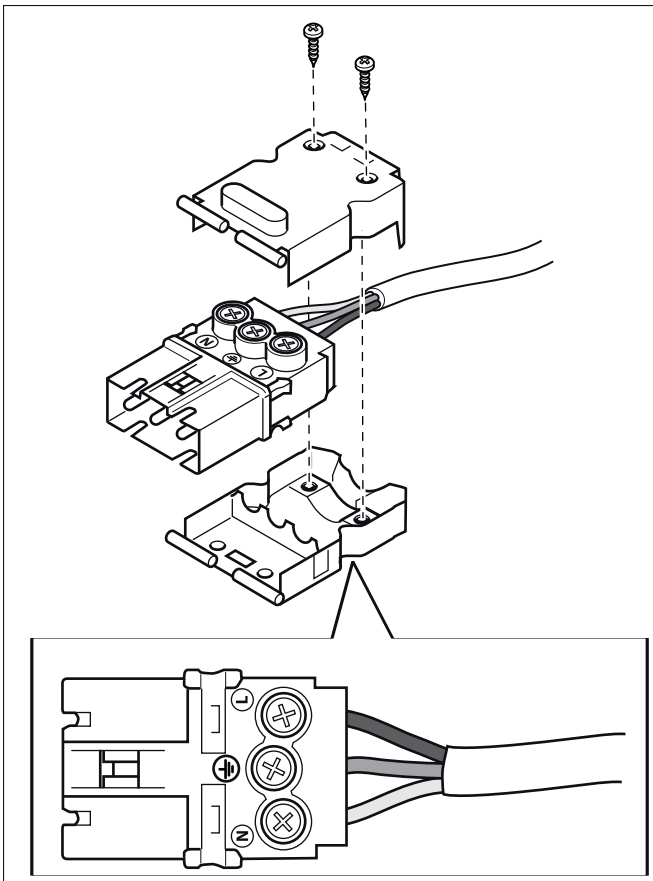
Note: The control unit must be mounted indoors in an easy-to-reach location.

- 1 Fit the plug onto the mains cable. Connect the wires as follows:

Connection	Color of wire
N	black #1 (or blue)
L	black #2 (or brown)
⊕	green/yellow

See wiring diagram at the end of these instructions

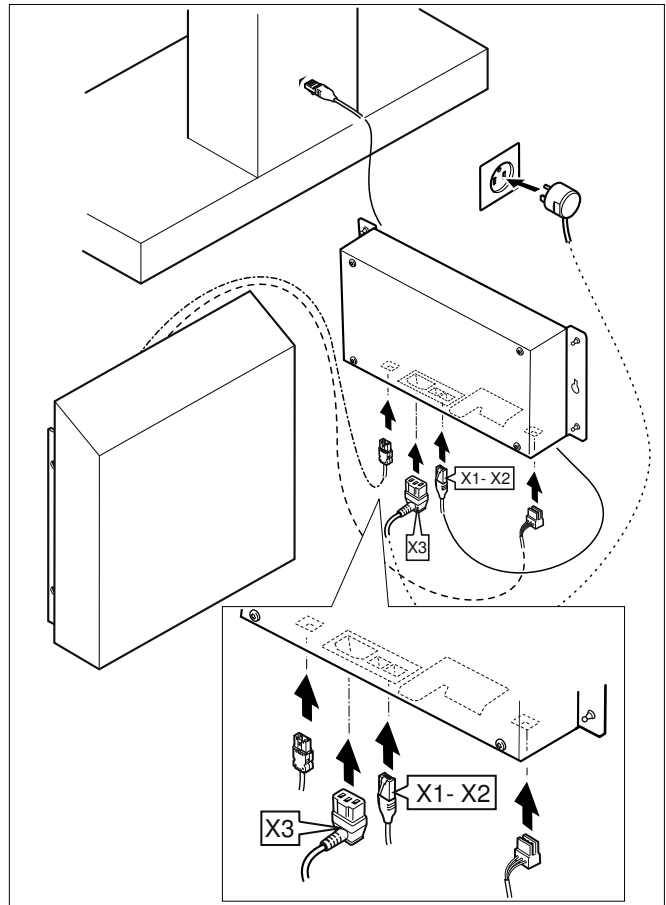
Fit the connector parts. Tighten two screws for the strain relief.



- 2 Firmly insert the mains cable and control cable from the remote fan unit into the control unit.
- 3 Firmly insert the network cable from the control unit to the extractor hood. The plug must snap into place.

Note: The X1 and X2 connection sockets are identical.

- 4 Connect the control unit to the mains and check that it works correctly. If the appliance does not work, check that the connection cable is positioned correctly.



Additional switching output

⚠ WARNING

Work must only be carried out on the additional switching output by a qualified electrician in accordance with the country-specific requirements and standards.

The appliance has an additional switching output X16 (potential-free contact) that can be used to connect other appliances, such as a ventilation system that is available at the installation site. The contact is closed when the blower is switched on, and is opened when the blower is switched off.

The switching output is located under a cover. Maximum switching power 30 V/1 A (AC/DC). The signal that is connected to the contact must correspond to class of protection 3.

Networked operation

Several appliances can be networked together. The light and blower on each of the appliances are operated synchronously.

Connect the appliances in series via the connector sockets X1 and X2 (equal value). The sequence of the networking does not have any effect. If the enclosed network cables are too short, use a commercially available network cable (min. Cat. 5, shielded).

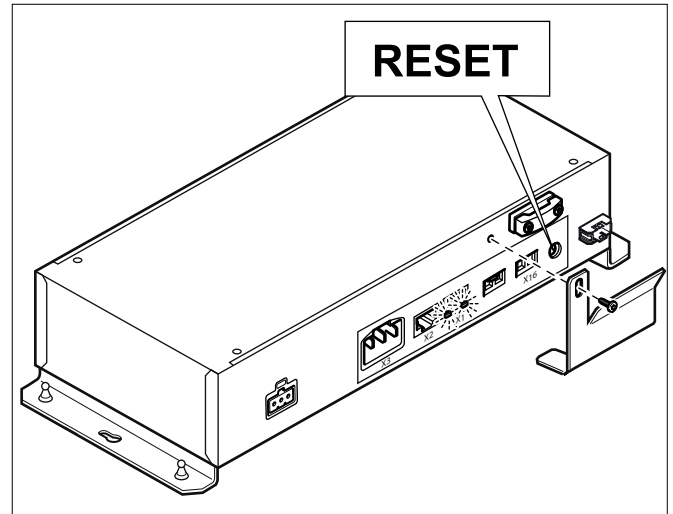
Maximum number of networked appliances: 20. Total length of all of the network cables: 131 feet (40 m). During the initial installation, a qualified electrician must check that the system functions correctly.

If one of the networked appliances fails (power interruption, network cable disconnected), this leads to the blower function being blocked for the entire system. All of the buttons on the appliance flash.

When changing the configuration, the system must be re-initialized:

- 1 Unscrew the cover plate.
- 2 Press and hold the reset button until both LEDs light up continuously (approx. 5 seconds). Then release the button within 5 seconds.

- 3 Screw on the cover plate.
- 4 After initialization, have a qualified electrician check that the system functions correctly.



Connect Electrical Supply

⚠ WARNING

Risk of electric shock

Parts inside the appliance can have sharp edges. The connection cable can be damaged. Do not bend or pinch connection cables during installation.

Refer to data plate for more information. See "Service" for data plate location.

The branch-circuit breakers ampacity, the wire sizes and the connections must conform to the requirements of the National Electrical Code or Canadian Electrical Code and all local codes and ordinances.

This appliance is connected with a plug

- Plug has to be conform with NEMA CONFIGURATIONS FOR PLUGS AND RECEPTACLES.
- The appliance must be properly grounded.
- Plug must be rated not less than type 6-20 P (2-pole 3-wire grounding).
- Only a qualified electrician should connect the plug.
- Install a socket outlet earthed in accordance with regulations approx. 27" (700 mm) above the floor behind the appliance. The socket outlet must still be accessible after installation.

Removing the appliance

- 1 Disconnect the appliance from the power supply.
- 2 Loosen the exhaust air lines.
- 3 Undo the cable connections.
- 4 Undo the screw connections for securing the appliance.
- 5 Remove the appliance.

Customer service

With any warranty repair, we will make sure your appliance is repaired by an authorized service provider using genuine replacement parts. We use only genuine replacement parts for all repairs.

You can obtain function-relevant and storable genuine spare parts from our Customer Service for up to 15 years from the date on which your appliance was placed on the market. For more information, please contact our Customer Service team.

Detailed information on the warranty period and terms of warranty can be found in the Statement of Limited Product Warranty, from your retailer, or on our website.

USA:

1-877-442-4436

www.gaggenau.com

www.gaggenau.com/us/appliances/eshop

CA:

1-877-442-4436

www.gaggenau.com

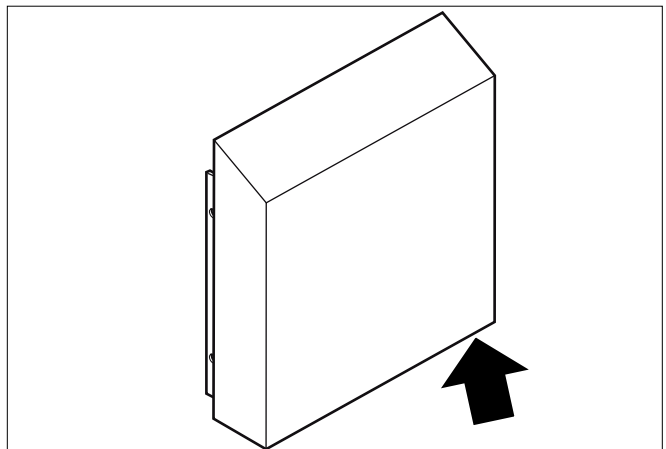
www.gaggenau.ca

Model number (E-Nr.) and production number (FD)

If you contact Customer Service, you will need the product number (E-Nr.) and production number (FD), which you can find on the appliance's rating label.

Making a note of your appliance's details and the Customer Service telephone number will enable you to find them again quickly.

When you call, please indicate the product number (E-Nr.) and serial number (FD-Nr.) so that we can support you in a qualified manner. You will find the type plates with these numbers at the underside of the appliance.



CONSIGNES DE SÉCURITÉ IMPORTANTES	14
Définitions des termes de sécurité	14
Consignes générales de sécurité	14
Manipulation sécuritaire des appareils	16
Codes et normes de sécurité	16
Sécurité électrique	16
Avertissement issu de la proposition 65	17
Modes de fonctionnement	17
Préparatifs du montage	18
Vérifier le mur	18
Branchement électrique	18
Avant de commencer	19
Outils et pièces nécessaires	19
Pièces comprises	19
Sortie en évacuation extérieure	19
Encastrement de l'appareil	20
Montage de l'appareil au mur	20
Brancher l'appareil	21
Sortie de commutation supplémentaire	21
Utilisation en réseau	22
Brancher l'alimentation électrique	22
Démontage de l'appareil	22
	23
Service après-vente	23



IMPORTANTES CONSIGNES DE SÉCURITÉ

LIRE ET CONSERVER CES INSTRUCTIONS

Lisez attentivement toutes les instructions avant d'utiliser l'appareil. Afin de réduire les risques d'incendie, d'électrocution et de blessures corporelles lorsque vous utilisez l'appareil, suivez les précautions de base, et notamment les consignes de sécurité suivantes.

1.1 Définitions des termes de sécurité

Vous trouverez ici des explications sur les mots de signalisation de sécurité utilisés dans ce manuel.

AVERTISSEMENT

Signale un risque de mort ou de blessure grave si l'avertissement n'est pas respecté.

MISE EN GARDE

Signale un risque de blessures mineures ou modérées si l'avertissement n'est pas respecté.

AVIS :

Ceci indique que la non-conformité à cet avis de sécurité peut entraîner des dégâts matériels ou endommager l'appareil.

Remarque : Ceci vous signale des informations importantes.

1.2 Consignes générales de sécurité

IMPORTANT : CONSERVEZ CES INSTRUCTIONS POUR L'UTILISATION DE L'INSPECTEUR ÉLECTRIQUE LOCAL.

PROPRIÉTAIRE : VEUILLEZ CONSERVER CES INSTRUCTIONS POUR RÉFÉRENCE FUTURE.

INSTALLATEUR : LAISSEZ CES INSTRUCTIONS AVEC L'APPAREIL UNE FOIS L'INSTALLATION COMPLÈTE.

Examinez l'appareil après l'avoir déballé. En cas de dommage en cours de transport, ne branchez pas l'appareil.

AVERTISSEMENT

Si les consignes du présent manuel ne sont pas suivies à la lettre, il y a un risque d'incendie ou d'électrocution pouvant entraîner des dommages matériels ou des blessures.

Ne pas réparer, remplacer ni retirer toute pièce de l'électroménager à moins que cela ne soit spécifiquement recommandé par les manuels. L'installation, les réparations ou l'entretien inadéquats pourraient causer des blessures ou des dégâts matériels.

► Consulter ce manuel pour les directives d'utilisation.

► Toutes les autres réparations doivent être effectuées par un prestataire de services agréé.

AVERTISSEMENT

POUR RÉDUIRE LE RISQUE D'INCENDIE, D'ÉLECTROCUTION OU DE BLESSURE, RESPECTEZ LES INSTRUCTIONS SUIVANTES.

- L'installation et le câblage électrique doivent être exécutés par du personnel qualifié en conformité aux codes et aux normes en vigueur, y compris ceux relatifs à la construction à l'épreuve du feu.
- Un apport d'air suffisant est nécessaire pour la bonne combustion et l'évacuation des gaz par le carneau (cheminée) émanant des appareils de combustion afin d'éviter un refoulement d'air. Respectez les lignes directrices du fabricant des appareils de chauffage et les normes de sécurité comme celles établies par la National Fire Protection Association (NFPA), la American Society for Heating, Refrigeration and Air Conditioning Engineers (ASHRAE) et les codes des autorités locales.
- Lorsque vous coupez ou percez le mur ou le plafond, n'abîmez pas le câblage électrique et les autres installations cachées.
- Les ventilateurs raccordés à une conduite utilisée pour évacuer des contaminants doit toujours évacuer l'air vers l'extérieur.

Lors de l'installation de la hotte, les réglementations applicables des entreprises de distribution d'énergie et les réglementations régionales de construction doivent être respectées.

Cet appareil électroménager est conçu uniquement pour un usage domestique habituel. Il n'est pas approuvé pour une utilisation en extérieur. Consultez l'énoncé de garantie limitée de produit. Pour toute question, veiller à communiquer avec le fabricant.

AVERTISSEMENT

Le fonctionnement de plusieurs brûleurs à gaz en même temps génère beaucoup de chaleur. L'appareil de ventilation peut être endommagé ou prendre feu.

- L'appareil de ventilation ne doit être combiné qu'avec des brûleurs à gaz ne dépassant pas la puissance totale maximale de 61 000 BTU/h (18 kW). Si 41 000 BTU/h (12 kW) sont dépassés, les réglementations locales concernant la ventilation de la pièce, la taille de la pièce et la combinaison avec des dispositifs de ventilation en mode d'extraction et de recirculation doivent être respectées.



IMPORTANTES CONSIGNES DE SÉCURITÉ

LIRE ET CONSERVER CES INSTRUCTIONS

AVERTISSEMENT

Quand la hotte fonctionne en même temps qu'un autre brûleur qui utilise aussi la même cheminée (comme le chauffage au gaz, à l'huile ou au charbon, le chauffe-eau intégré sous cuve ou pressurisé), veiller vous assurer d'avoir un apport d'air frais adéquat, dont a besoin le brûleur. Un fonctionnement sécuritaire est possible quand la pression dans la pièce où est installé le brûleur ne dépasse pas 4 Pa (0,04 mbar). Pour ce faire, le débit d'air comburant doit passer par des ouvertures non verrouillables, comme les portes, les fenêtres, et par la boîte murale de débit et d'évacuation d'air ou par d'autres moyens techniques, comme un système à enclenchement réciproque, etc.

Éviter l'intoxication au monoxyde de carbone - Prévoir une admission d'air adéquate pour empêcher le retour des gaz de combustion dans la pièce. Une boîte murale de débit et d'évacuation d'air seule n'assure pas le respect des valeurs limites.

- ▶ Remarque : Au moment de revoir les exigences dans l'ensemble, il faut tenir compte du système d'apport d'air combiné pour toute la maison. Cette règle ne s'applique pas à l'utilisation d'appareils électroménagers de cuisson comme les tables de cuisson et les fours.

MISE EN GARDE

Uniquement aux fins de ventilation générale.

- ▶ Pour éviter tout risque d'incendie ou d'explosion, ne pas utiliser pour évacuer des matières et des vapeurs dangereuses ou explosives.

AVERTISSEMENT

Ne jamais modifier ni altérer la structure de l'appareil électroménager.

Utilisez uniquement l'appareil électroménager s'il a été installé par un technicien qualifié conformément aux présentes instructions d'installation. Le fabricant ne peut pas être tenu responsable de tous dommages causés par une installation inadéquate.

AVERTISSEMENT

Retirer tout le ruban adhésif et l'emballage avant d'utiliser l'électroménager.

- ▶ Jetez l'emballage après avoir déballé l'électroménager.
- ▶ Éliminez l'emballage d'une manière respectueuse de l'environnement.
- ▶ Ne laissez jamais les enfants jouer avec le matériel d'emballage.

AVIS :

Risque de dommage provenant de la condensation d'un retour d'air.

- ▶ Installer l'évent d'évacuation avec une légèrement pente descendante en direction opposée de l'appareil (1° pente).

AVERTISSEMENT

POUR RÉDUIRE LE RISQUE D'INCENDIE, D'ÉLECTROCUTION OU DE BLESSURES, RESPECTER LES INDICATIONS SUIVANTES :

- ▶ Utilisez cet appareil uniquement de la façon recommandée par le fabricant. Pour toutes questions, veuillez contacter le fabricant.
→ "Service à la clientèle", Page 12
- ▶ Avant d'entretenir ou de nettoyer l'appareil, coupez l'alimentation au niveau du panneau de service et verrouillez le panneau de service. Cela empêchera la mise sous tension accidentelle. Lorsque le panneau de service ne peut pas être verrouillé, fixer un accessoire d'avertissement visible et adéquat, comme une étiquette, au panneau de service.

AVERTISSEMENT

POUR REDUIRE LE RISQUE D'INCENDIE, UTILISER UNIQUEMENT DES SYSTEMES DE GAINES/ CONDUITES EN METAL.

MISE EN GARDE

Pour réduire le risque de feu et pour évacuer correctement l'air, évacuez l'air vers l'extérieur.

- ▶ N'évacuez pas l'air dans les murs, les plafonds, les greniers, les vides sanitaires ou dans les garages.

AVERTISSEMENT

L'unité de contrôle doit être installée dans un endroit où le cordon ne peut pas être facilement atteint par les enfants.

AVERTISSEMENT

Afin de réduire les risques d'incendie, de choc électrique ou de blessures corporelles, n'utilisez pas de pièces de rechange non recommandées par le fabricant (par exemple des pièces fabriquées à la maison à l'aide d'une imprimante 3D).



IMPORTANTES CONSIGNES DE SÉCURITÉ

LIRE ET CONSERVER CES INSTRUCTIONS

1.3 Manipulation sécuritaire des appareils

AVERTISSEMENT



Certaines surfaces cachées peuvent avoir des rebords tranchants.

- ▶ Redoubler de vigilance quand vous passez la main derrière ou sous l'appareil électroménager.

1.4 Codes et normes de sécurité

Cet appareil est conforme aux plus récentes versions de l'une ou plus des normes suivantes :

- UL 507 - Ventilateurs électriques
- CSA C22.2 n° 60335-1 - Appareils domestiques électriques et analogues - Sécurité - Partie 1 : Exigences générales
- CSA C22.2 n° 60335-2-31 - Appareils domestiques électriques et analogues - Sécurité - Partie 2-31 : Exigences particulières pour les hottes de cuisine et autres extracteurs de fumées de cuisson

Il est de la responsabilité du propriétaire et de l'installateur de déterminer si des exigences et/ou des normes supplémentaires s'appliquent à des installations spécifiques.

1.5 Sécurité électrique

- **Installateur** - indiquez au propriétaire l'emplacement du disjoncteur ou du fusible. Identifiez sa position pour pouvoir le retrouver facilement.
- S'il y a lieu, conformément au Code national de l'électricité (ou au Code canadien de l'électricité), cet appareil doit être installé sur un circuit de dérivation séparé.
- Les codes locaux peuvent varier. L'installateur est responsable de s'assurer que l'installation, les connexions et la mise à la terre sont conformes à tous les codes applicables. Le fabricant n'est pas responsable des problèmes associés à une mauvaise installation de ce produit.
- Assurez-vous que l'appareil est correctement installé et mis à la terre par un technicien qualifié. L'installation, les raccordements électriques et la mise à la terre doivent être conformes avec tous les codes en vigueur.
- Voir la fiche signalétique pour plus d'information.

AVERTISSEMENT

Avant l'installation, couper l'alimentation au panneau de service.

- ▶ Verrouiller le panneau de service pour empêcher que l'alimentation ne soit rétablie par accident.

Cadre mis à la terre au neutre par l'intermédiaire d'une sangle de mise à la terre. La mise à la terre via le conducteur neutre est interdite pour les nouvelles installations de circuit de dérivation (NEC 1996), les caravanes et les véhicules récréatifs, ou dans une zone où les codes locaux interdisent la mise à la terre via le conducteur neutre. Pour les installations où la mise à la terre par le conducteur neutre est interdite,

- ▶ déconnectez le lien du neutre,
- ▶ utilisez la borne de mise à la terre ou le fil vers l'unité de terre,
- ▶ raccordez la borne neutre au neutre du circuit de dérivation de la manière habituelle (si l'appareil doit être raccordé au moyen d'un kit de cordon, utiliser un cordon à 4 conducteurs homologué UL à cet effet).

Cet appareil doit être mis à la terre. La mise à la terre réduit le risque de choc électrique en fournissant une voie sûre pour le courant électrique en cas de court-circuit. Cet appareil doit être connecté à un système de câblage permanent métallique mis à la terre, ou un conducteur de mise à la terre de l'équipement doit être exécuté avec les conducteurs du circuit et connecté à la borne ou au fil de mise à la terre de l'équipement sur l'appareil.

AVERTISSEMENT

UNE MISE À LA TERRE INADÉQUATE PEUT ENTRAÎNER UN RISQUE D'ÉLECTROCUTION

- ▶ Consultez un électricien qualifié si vous ne comprenez pas parfaitement les instructions de mise à la terre ou si vous avez des doutes concernant une mise à la terre appropriée.
- ▶ NE PAS UTILISER DE RALLONGE.
- ▶ Si le cordon d'alimentation est trop court, demandez à un électricien ou un technicien qualifié d'installer une prise à proximité de l'appareil.

Des moyens de déconnexion du réseau d'alimentation ayant une séparation de contact dans tous les pôles qui assurent une déconnexion complète dans des conditions de surtension de catégorie III doivent être incorporés dans le câblage fixe conformément aux règles de câblage.

AVERTISSEMENT

Pour réduire le risque d'incendie ou d'électrocution, n'utilisez pas cet appareil avec un dispositif de contrôle de vitesse à semi-conducteurs.



IMPORTANTES CONSIGNES DE SÉCURITÉ

LIRE ET CONSERVER CES INSTRUCTIONS

AVERTISSEMENT

Les pièces à l'intérieur de l'appareil électroménager peuvent avoir des rebords tranchants. Le cordon d'alimentation peut être endommagé.

- ▶ Ne pliez pas et ne pincez pas le cordon d'alimentation pendant l'installation.

Avant de brancher le cordon électrique ou de mettre sous tension la source d'alimentation, vérifiez que toutes les commandes sont à la position OFF (Arrêt).

Pour éviter tout risque de blessure dû à des réparations incorrectes, respectez les points suivants.

- ▶ Seuls des techniciens qualifiés ou des prestataires de services agréés peuvent effectuer des réparations.
- ▶ Seules des pièces de rechange d'origine peuvent être utilisées pour réparer l'appareil.
- ▶ Afin d'écartier tout danger, quand le cordon d'alimentation de cet appareil est endommagé, seul le fabricant, son service à la clientèle ou toute autre personne de qualification équivalente est habilité à le faire.

1.6 Mises en garde conformément à la proposition 65 de l'État de Californie

Ce produit pourrait contenir un produit chimique reconnu par l'État de la Californie comme cancérigène ou ayant des effets nocifs sur la reproduction. Par conséquent, vous pourriez devoir apposer l'étiquette suivante sur l'emballage du produit comme requis par la Californie :

AVERTISSEMENT ISSUE DE LA PROPOSITION 65 DE L'ÉTAT DE LA CALIFORNIE :

AVERTISSEMENT

Cancer et dommages à la reproduction -
www.P65Warnings.ca.gov

Modes de fonctionnement

Mode d'extraction d'air

L'air aspiré est purifié par les filtres à graisse, puis évacué vers l'extérieur via un système de conduits.



L'air ne doit pas être évacué dans un conduit utilisé pour les gaz d'échappement provenant d'appareils fonctionnant au gaz ou à d'autres combustibles (ne s'applique pas aux appareils à recirculation).

- Si l'air évacué doit être conduit vers un conduit de fumée ou de gaz d'échappement qui ne fonctionne pas, vous devez obtenir l'accord de l'inspecteur de zone chauffante responsable.
- Si l'air évacué est conduit à travers le mur extérieur, il convient d'utiliser un caisson mural télescopique.

Préparatifs du montage

ATTENTION

Veillez à ce qu'il n'y ait pas de conduites électriques, de tuyaux de gaz ou d'eau au niveau des perçages.

Vérifier le mur

- Le mur doit être plat, vertical et offrir une portance suffisante.
- La profondeur des trous percés doit être adaptée à la longueur des vis. Les chevilles doivent offrir une retenue sûre.
- Pour des matériaux de construction tels que par ex. le Rigips, le béton cellulaire et les briques Poroton, il faut utiliser des moyens de fixation appropriés.
- L'appareil pèse au maximum **env. 7 kg**.
- Seul du personnel qualifié doit pratiquer une percée murale. La structure du bâtiment doit demeurer stable.
- Risque d'endommagement par le reflux de condensat. Installer le conduit de traversée en l'inclinant légèrement (pente de 1°) à l'extérieur.

Branchement électrique

AVERTISSEMENT

Risque de choc électrique

Les pièces se trouvant dans l'appareil peuvent présenter des arêtes vives. Le cordon de branchement peut être endommagé. Ne pas couder ni coincer le cordon de branchement pendant la pose.

Les données de raccordement nécessaires se trouvent sur la plaque signalétique sur l'appareil.

Cet appareil est conforme aux dispositions CE régissant l'antiparasitage.

L'appareil ne doit être raccordé qu'à une prise de courant de sécurité installée de manière réglementaire.

Installer la prise de courant de sécurité à proximité de l'appareil.

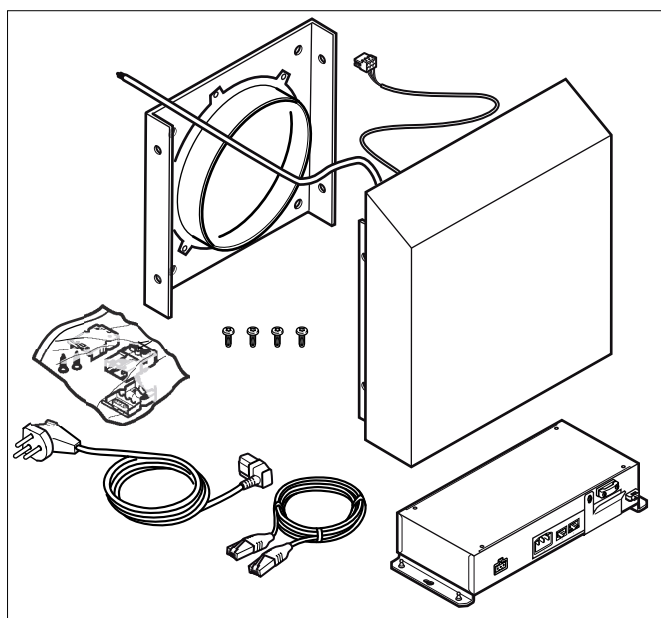
- La prise de courant de sécurité doit être raccordée à un circuit électrique dédié.
- Si la prise de courant de sécurité n'est plus accessible après l'installation de l'appareil, il faut intercaler dans le câblage un sectionneur omnipolaire (par ex. disjoncteur pour protéger la ligne, les fusibles et les contacteurs) présentant une ouverture d'au moins 3 mm entre les contacts.

Avant de commencer

Outils et pièces nécessaires

- Tournevis Torx T20
- Crayon
- Perceuse avec mèche de $\frac{5}{16}$ po (8 mm)
- Perceuse avec mèche de $\frac{13}{16}$ po (20 mm)
- Scie sauteuse
- Ruban à mesurer

Pièces comprises



Sortie en évacuation extérieure

- Pièce de connexion Ø 7 7/8 po (200 mm), incluse
- **AD 704 040:** Raccord d'adaptation de Ø 8 po (200 mm) à Ø 6 po (150 mm). Métal galvanisé. (Accessoire en option, à commander séparément)
- **AD 704 050:** Collecteur d'air pour gaines plates pour AL400. Métal galvanisé. DN 150 plate (Accessoire en option, à commander séparément)
- **AD 702052:** Traversée murale télescopique d'un diamètre de 8 po (200 mm). DN 200. Acier inoxydable (Accessoire en option, à commander séparément)

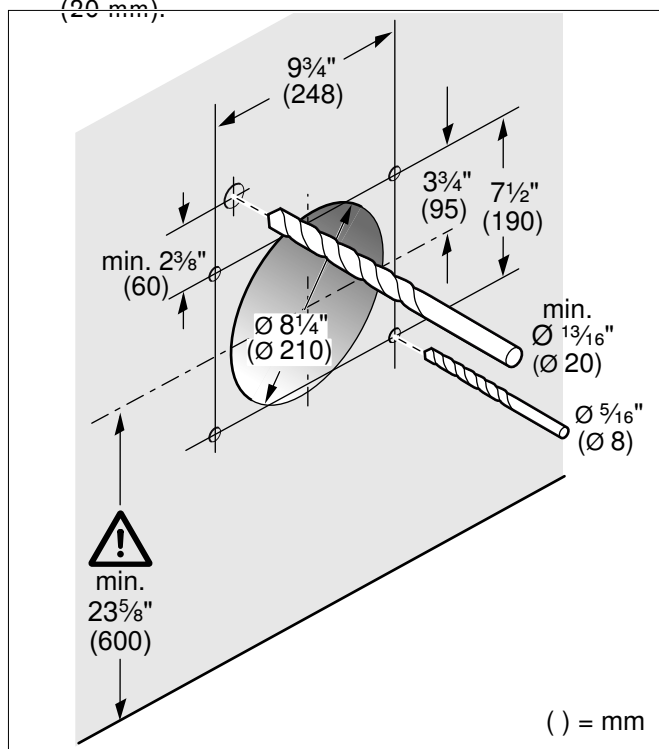
Encastrement de l'appareil

Montage de l'appareil au mur

⚠ ATTENTION

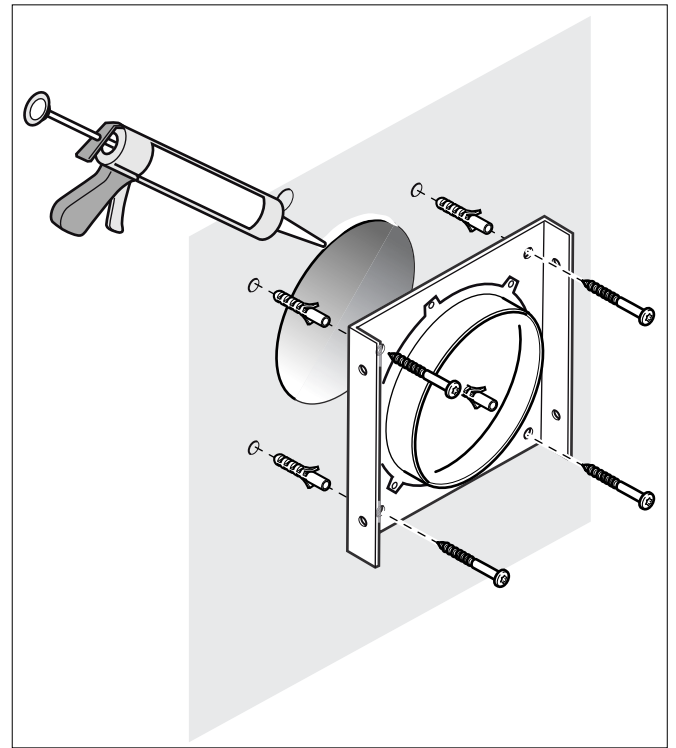
Veillez à ce qu'il n'y ait pas de conduites électriques, de tuyaux de gaz ou d'eau au niveau des perçages.

- 1 Pratiquer une percée murale d'un diamètre d'au moins 8 1/4 po (210 mm).
- 2 Percer les trous de fixation de 5/16 po (8 mm) et le passage de câble d'un diamètre d'au moins 13/16 po (20 mm).

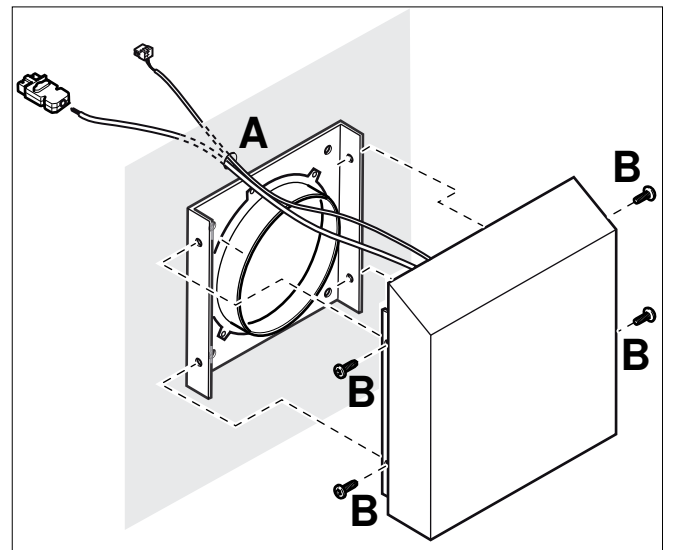


- 3 Enfoncer les chevilles à fleur du mur.

- 4 Étancher la plaque de fixation de façon appropriée et la visser.



- 5 Passer le câble secteur et le câble de commande à travers le mur (A).



- 6 Visser le moteur séparé sur la plaque de fixation (B).
- 7 Fixer le conduit d'évacuation sur la pièce de connexion. Lisser au préalable la zone de raccordement.
- 8 Visser l'unité de commande à l'intérieur sur le mur.

Brancher l'appareil

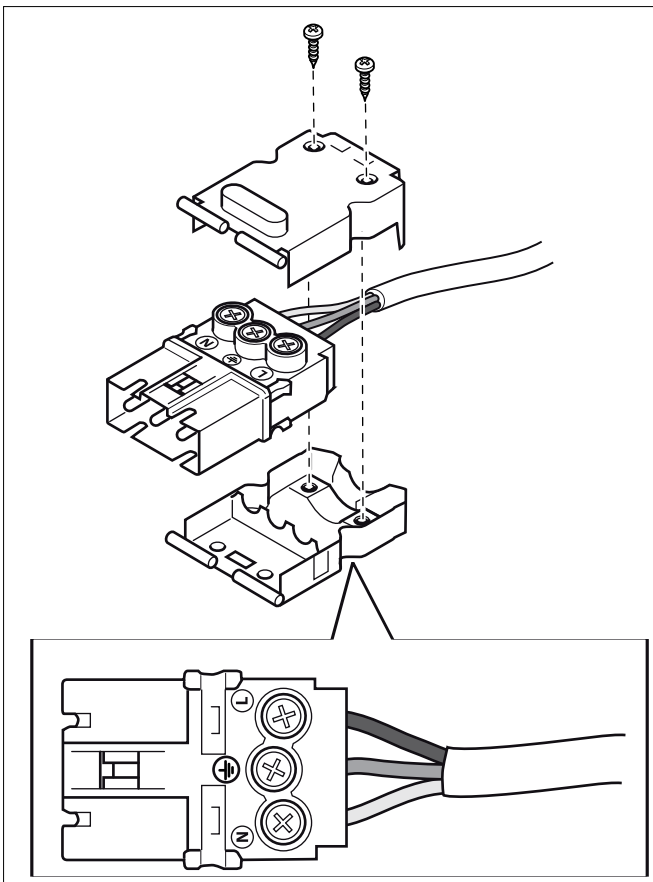
Remarque : Le module de commande doit être installé à l'intérieur à un emplacement facilement accessible!

- 1 Installez la fiche sur le câble d'alimentation. Reliez les fils comme suit :

Raccord	Couleur du câble
N	noir #1 (ou bleu)
L	noir #2 (ou marron)
⊕	vert/jaune

Voir le schéma de raccordement à la fin de la présente notice

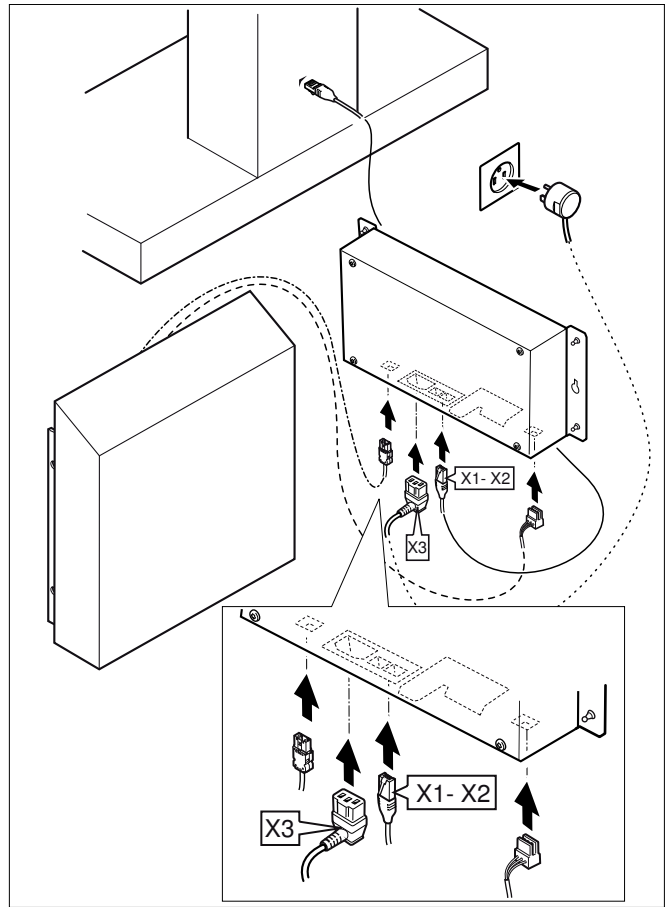
Montez les pièces de la fiche. Visser deux vis pour le serre-câble.



- 2 Connectez fermement le câble d'alimentation et le câble de commande du moteur séparé sur l'unité de commande.
- 3 Connectez fermement le câble réseau de l'unité de commande vers la hotte aspirante. Les fiches doivent s'encliqueter.

Remarque : Les prises de raccordement X1 et X2 sont identiques.

- 4 Connectez l'unité de commande à l'alimentation et vérifiez le fonctionnement. Si l'appareil ne fonctionne pas : vérifiez la fixation correcte des câbles de raccordement!



Sortie de commutation supplémentaire

⚠ AVERTISSEMENT

Les travaux sur la sortie de commutation supplémentaire doivent uniquement être effectués par un électricien qualifié, en respectant les règlements et normes spécifiques au pays.

L'appareil possède une sortie de commutation supplémentaire X16 (contact sans potentiel) pour le raccordement d'autres appareils, tels qu'une installation de ventilation existante côté site. Le contact est fermé lorsque le ventilateur est en marche et est ouvert lorsque le ventilateur est éteint.

La sortie de commutation se situe sous un couvercle. Puissance de commutation maximale 30 V/1 A (CA/CC). Le signal qui est raccordé au contact doit correspondre à la classe de protection 3.

Utilisation en réseau

Plusieurs appareils peuvent être interconnectés. La lumière et la ventilation de tous les appareils fonctionnent de manière synchrone.

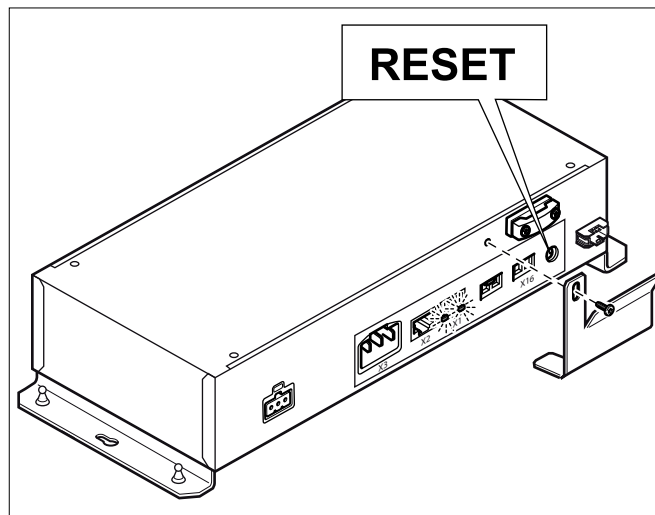
Relier les appareils en série via les prises de raccordement X1 et X2 (équivalentes). L'ordre de l'interconnexion n'a pas d'influence. Si les câbles réseau fournis sont trop courts, utiliser un câble réseau usuel commercial (au moins Cat5, blindé).

Nombre max. de participants : 20 appareils. Longueur totale de tous les câbles réseau : 40 m. La fonction de l'installation doit être vérifiée par un technicien qualifié lors de l'installation initiale.

La panne d'un participant (coupure de tension, séparation du câble réseau) conduit au blocage de la fonction de ventilation de l'ensemble du système. Toutes les touches sur l'appareil clignotent.

En cas de modification de la configuration, l'installation doit être réinitialisée :

- 1 Dévisser la tôle de protection.
- 2 Appuyer sur la touche Réinitialiser (Reset) jusqu'à ce que les deux DEL soient allumées en continu (env. 5 secondes). Relâcher ensuite la touche dans les 5 secondes.
- 3 Visser la tôle de protection.
- 4 Faire vérifier le fonctionnement de l'installation par un technicien qualifié après l'initialisation.



Brancher l'alimentation électrique

⚠ AVERTISSEMENT

Risque de choc électrique

Les pièces se trouvant dans l'appareil peuvent présenter des arêtes vives. Le cordon de branchement peut être endommagé. Ne pas couder ni coincer le cordon de branchement pendant la pose.

Consulter la plaque signalétique pour en savoir plus. Pour savoir où se trouve la plaque signalétique, se reporter à la rubrique "Service après-vente".

Le courant admissible des disjoncteurs divisionnaires, la taille des câbles et les connexions doivent être conformes aux exigences du Code électrique national ou du Code électrique canadien ainsi qu'à tous les codes et règlements locaux.

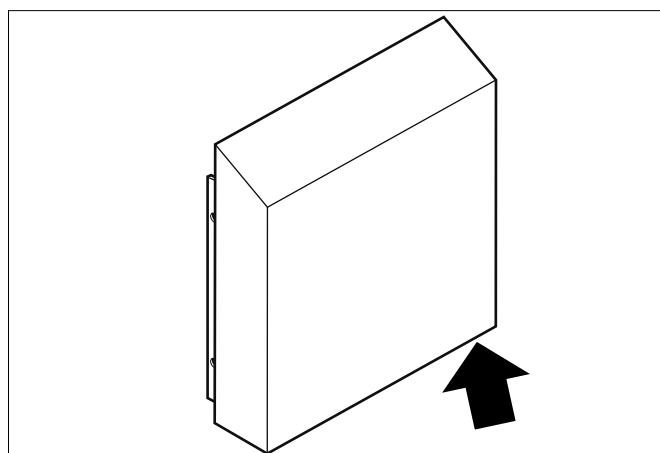
Ce appareil est relié avec une fiche

- La fiche doit être conforme aux normes NEMA pour fiches et prises de courant.
- L'appareil doit être correctement mis à la terre.
- La fiche d'alimentation doit être au minimum du type 6-20 P (2 broches, 3 fils avec terre).

- Le branchement de la fiche doit être fait exclusivement par un électricien qualifié.
- Poser une prise de courant avec terre conformément à la réglementation, à environ 27" (700 mm) au-dessus du sol derrière l'appareil. La prise de courant doit rester accessible après la pose de l'appareil.

Démontage de l'appareil

- 1 Mettre l'appareil hors tension.
- 2 Détacher les conduits d'évacuation.
- 3 Détacher les jonctions des câbles.
- 4 Desserrer les vissages pour la fixation de l'appareil.
- 5 Enlever l'appareil.



Service après-vente

Lors de toute réparation réalisée dans le cadre de la garantie, nous nous assurons que votre appareil est réparé avec des pièces de rechange d'origine par un technicien dûment formé et agréé. Nous utilisons exclusivement des pièces de rechange d'origine lors des réparations. Vous pouvez obtenir auprès de notre service après-vente des pièces détachées d'origine relatives au fonctionnement de l'appareil et pouvant être stockées jusqu'à 15 ans après la commercialisation de votre appareil.

Veillez contacter notre service clientèle pour obtenir d'autres informations à ce sujet.

Pour plus d'informations sur la durée et les conditions de la garantie dans votre pays, consultez nos modalités de garantie auprès de votre détaillant ou sur notre site Web.

USA:

1-877-442-4436

www.gaggenau.co

www.gaggenau.com/us/appliances/eshop

CA:

1-877-442-4436

www.gaggenau.com

www.gaggenau.ca

Résidents du Québec :

Vous trouverez des renseignements sur la disponibilité des pièces de rechange, des services de réparation et des renseignements nécessaires à l'entretien ou à la réparation de l'appareil à l'adresse suivante :

www.gaggenau.com/ca/fr/service/residents-du-qc



GAGGENAU

Numéro de modèle (E-Nr.) et numéro de fabrication (FD)

Si vous contactez le service à la clientèle, indiquez le numéro de modèle (E-Nr.) et le numéro de fabrication (FD) indiqués sur la plaque signalétique de l'appareil. Pour retrouver rapidement les données de votre appareil et le numéro de téléphone du service à la clientèle, n'hésitez pas à les recopier ailleurs.

Lorsque vous nous contactez, veuillez nous indiquer le numéro de produit (E-Nr.) et le numéro de série (FD-Nr.), afin que nous puissions vous aider de façon efficace. Vous trouverez les plaques signalétiques comportant ces numéros sous l'appareil.

INSTRUCCIONES DE SEGURIDAD IMPORTANTES 25

Definiciones de seguridad	25
Instrucciones generales de seguridad	25
Seguridad de manejo del aparato	27
Códigos y normas de seguridad	27
Seguridad eléctrica	27
Advertencias en virtud de la Proposición 65 del estado de California	28
Modos de funcionamiento	28

Preparativos para el montaje 29

Revisar la pared	29
Conexión eléctrica	29

Antes de empezar 30

Herramientas y piezas necesarias	30
Piezas incluidas	30

Conexión de la salida de aire 30

Instalación del aparato 31

Montaje del aparato en la pared	31
Conectar el aparato a la red eléctrica	32
Salida de conexión adicional	32
Funcionamiento conectado	33
Conexión de la alimentación eléctrica	33
Desmontaje del aparato	34

Servicio de Atención al Cliente 34



INSTRUCCIONES DE SEGURIDAD IMPORTANTES

LEA Y CONSERVE ESTAS INSTRUCCIONES

Leer atentamente todas las instrucciones antes de proceder con el uso del aparato. Para reducir el riesgo de incendio, descarga eléctrica y lesiones personales al utilizar el aparato, se deben tomar precauciones de seguridad básicas, incluidas las que se detallan en las siguientes instrucciones de seguridad.

1.1 Definiciones de seguridad

Aquí puede encontrar explicaciones de las palabras de señal de seguridad utilizadas en este manual.

ADVERTENCIA

Esto indica que pueden producirse la muerte o heridas graves si no se cumple con esta advertencia.

PRECAUCIÓN

Esto indica que pueden producirse heridas leves o moderadas si no se cumple con esta advertencia.

AVISO:

Esto indica que pueden producirse daños en el aparato o en los bienes si no se cumple con este aviso.

Nota: Esto alerta sobre información importante.

1.2 Instrucciones generales de seguridad

IMPORTANTE: CONSERVAR ESTAS INSTRUCCIONES PARA QUE PUEDA USARLAS EL INSPECTOR DE ELECTRICIDAD LOCAL.

PROPIETARIO: CONSERVAR ESTAS INSTRUCCIONES PARA FUTURAS REFERENCIAS.

INDICACIÓN PARA EL INSTALADOR: ESTAS INSTRUCCIONES DEBEN PERMANECER CON EL APARATO UNA VEZ FINALIZADA LA INSTALACIÓN. Examinar el aparato después de desembalarlo. En el caso de que se hayan producido daños en el transporte, no enchufarlo.

ADVERTENCIA

Si no se sigue con exactitud la información de este manual, se puede producir un incendio o una descarga eléctrica que podrían causar daños materiales o lesiones personales.

No reparar, reemplazar ni retirar ninguna parte del aparato a menos que se recomiende específicamente en los manuales. La instalación, el servicio técnico o el mantenimiento incorrectos pueden causar lesiones o daños materiales.

► Consultar este manual como guía.

- Cualquier otra labor de mantenimiento debe de ser efectuada por un proveedor de servicios de mantenimiento autorizado.

ADVERTENCIA

PARA REDUCIR EL RIESGO DE INCENDIO, DESCARGA ELÉCTRICA O LESIONES PERSONALES, ES PRECISO CUMPLIR CON LAS INDICACIONES SIGUIENTES.

- Los trabajos de montaje y el tendido del cableado eléctrico deberá realizarlos personal calificado de conformidad con todos los códigos y normas aplicables, incluidas aquellas relativas a la construcción resistente al fuego.
- Se necesita una cantidad suficiente de aire para la correcta combustión y extracción de gases a través de la salida de humos (chimenea) del equipo de quema de combustible para evitar el reflujo. Seguir las indicaciones del fabricante del aparato de calentamiento y las normas de seguridad, como las publicadas por la Asociación Nacional de Protección contra el Fuego (NFPA, por sus siglas en inglés), la Sociedad Americana de Ingenieros de Calefacción, Refrigeración y Aire Acondicionado (ASHRAE, por sus siglas en inglés) y las autoridades locales.
- Cuando se corte o perfore la pared o el techo, no dañar el cableado eléctrico ni otros sistemas ocultos.
- Los ventiladores de ductos, utilizados para extraer contaminantes, siempre deben extraer el aire hacia el exterior.

En la instalación de la campana deben respetarse las regulaciones vigentes de las compañías de suministro energético y las regulaciones de construcción regionales. Este aparato ha sido diseñado únicamente para un uso doméstico normal. No está aprobado para su uso en exteriores. Véase la declaración de garantía limitada del producto. En caso de duda, contactar con el fabricante.

ADVERTENCIA

Utilizar varias zonas de cocción de gas simultáneamente da lugar a una cantidad elevada de calor. Esto puede dañar o incendiar el aparato de ventilación.

- El aparato de ventilación solo se debe usar en combinación con zonas de cocción que no excedan la potencia máxima total de hasta 61 000 BTU/h (18 kW). Si se superan los 41 000 BTU/h (12 kW), deben respetarse las regulaciones locales relativas a la ventilación de estancias, al tamaño de las mismas y a la combinación con dispositivos de ventilación en funcionamiento de extracción y recirculación.



INSTRUCCIONES DE SEGURIDAD IMPORTANTES

LEA Y CONSERVE ESTAS INSTRUCCIONES

ADVERTENCIA

Cuando la campana extractora se utilice en el modo de aire de escape simultáneamente con un quemador diferente que también utilice la misma chimenea (por ejemplo, calentadores de gas, aceite o carbón, calentadores de paso continuo o calderas de agua caliente), se deberá tener cuidado para garantizar que haya un suministro adecuado de aire fresco, necesario para que el quemador realice la combustión. El funcionamiento seguro es posible siempre que la presión en la habitación donde esté instalado el quemador no supere los 4 Pa (0.04 mbar). Esto puede lograrse facilitando el flujo de aire de combustión a través de aperturas no bloqueables, por ejemplo, puertas, ventanas o a través de la caja separadora de admisión/extracción de aire, o mediante la toma de otras medidas técnicas, como la interconexión recíproca, etc.

Evite el envenenamiento por monóxido de carbono: proporcione una toma de aire adecuada para que los gases de combustión no vuelvan a entrar en la habitación. Una caja separadora de admisión/extracción de aire por sí sola no garantiza que no se supere el valor límite.

- ▶ Nota: Al evaluar los requisitos generales, debe tenerse en cuenta el sistema de ventilación combinado de toda la vivienda. Esta regla no se aplica al uso de aparatos de cocina, como placas de cocción y hornos.

PRECAUCIÓN

Solo para ventilación general.

- ▶ Para evitar el riesgo de incendio o explosión, no utilizar para evacuar materiales y vapores peligrosos o explosivos.

ADVERTENCIA

No modificar ni alterar la construcción del aparato. El aparato solamente deberá usarse si lo ha instalado un técnico calificado, de acuerdo con estas instrucciones de instalación. El fabricante no es responsable de ningún daño causado por una instalación incorrecta.

ADVERTENCIA

Retirar toda la cinta y el embalaje antes de usar el aparato.

- ▶ Destruir el embalaje después de desembalar el aparato.
- ▶ Desechar el embalaje de manera respetuosa con el medio ambiente.
- ▶ No dejar nunca que los niños jueguen con el material de embalaje.

AVISO:

Riesgo de daños debido al reflujo de condensación.

- ▶ Instalar la ventilación de escape del aparato ligeramente inclinada hacia abajo (1 ° de desnivel).

ADVERTENCIA

PARA REDUCIR EL RIESGO DE INCENDIO, DESCARGA ELÉCTRICA O LESIONES PERSONALES, ES PRECISO CUMPLIR CON LAS INDICACIONES SIGUIENTES:

- ▶ Utilizar esta unidad solo de la manera prevista por el fabricante. En caso de duda, ponerse en contacto con el fabricante.
→ "Servicio de atención al cliente", *Página 18*
- ▶ Antes de realizar tareas de mantenimiento o limpieza en la unidad, desconectar la alimentación eléctrica en el panel de servicio y bloquearlo. De este modo, se evita que la alimentación eléctrica se vuelva a conectar accidentalmente. Si no es posible bloquear el panel de servicio, colocar algún tipo de advertencia visible, como una nota, sobre los interruptores del mismo.

ADVERTENCIA

PARA REDUCIR EL RIESGO DE INCENDIO, UTILIZAR ÚNICAMENTE DUCTOS METÁLICOS.

PRECAUCIÓN

Para reducir el riesgo de incendio y para hacer que el aire se evacue correctamente, asegurarse de canalizar todo el aire hacia el exterior.

- ▶ No dirigir el aire de salida hacia lugares entre paredes o techos, áticos, semisótanos o cocheras.

ADVERTENCIA

La unidad de control debe montarse en un lugar donde los niños no puedan alcanzar fácilmente el cable.

ADVERTENCIA

Para reducir el riesgo de incendio, descarga eléctrica o lesiones a las personas, no utilizar partes de refacción que no hayan sido recomendadas por el fabricante (p. ej., partes fabricadas en casa con una impresora 3D).



INSTRUCCIONES DE SEGURIDAD IMPORTANTES

LEA Y CONSERVE ESTAS INSTRUCCIONES

1.3 Seguridad de manejo del aparato

ADVERTENCIA



Las superficies ocultas pueden tener bordes afilados.

- ▶ Proceder con cuidado al intentar sujetar el aparato por la parte trasera o desde abajo.

1.4 Códigos y normas de seguridad

Este aparato cumple con la última versión de una o varias de las siguientes normas:

- UL 507: Ventiladores eléctricos
- CSA C22.2 N.º 60335-1 - Aparatos Eléctricos de Uso Doméstico y Similares — Seguridad — Parte 1: Requisitos generales
- CSA C22.2 N.º 60335-2-31 — Aparatos Eléctricos de Uso Doméstico y Similares — Seguridad — Parte 2-31: Requisitos particulares para campanas extractoras y otros extractores de humos de cocina

Es responsabilidad del propietario y del instalador determinar si son aplicables otros requisitos o normas en instalaciones específicas.

1.5 Seguridad eléctrica

- **Instalador:** es preciso mostrar al propietario la ubicación del breaker del circuito o del fusible. Marcarla para recordarla más fácilmente.
- Si el Código Nacional Eléctrico (o el Código Eléctrico Canadiense) así lo exige, este aparato debe instalarse con un circuito derivado dedicado por separado.
- Las normativas locales varían. El instalador es responsable de asegurarse de que la instalación, las conexiones y la toma de tierra cumplan con todas las normativas aplicables. El fabricante no se hace responsable de los problemas asociados a un montaje incorrecto de este producto.
- Asegurarse de que el aparato esté correctamente instalado y conectado a tierra por un técnico calificado. La instalación, las conexiones eléctricas y la puesta a tierra deben cumplir con todas las normas aplicables.
- Para obtener más información, consultar la placa de características.

ADVERTENCIA

Antes de realizar la instalación, desconectar la alimentación eléctrica en el panel de servicio.

- ▶ Bloquear el panel de servicio para impedir que se conecte accidentalmente la alimentación eléctrica. Marco conectado a tierra en el conductor neutro a través de una cinta de puesta a tierra. Se prohíbe realizar conexiones a tierra a través del conductor neutro en instalaciones nuevas de circuitos de derivación (1996 NEC), casas rodantes y vehículos recreativos, y también en áreas cuyas normativas locales prohíban poner a tierra a través del conductor neutro. Para los montajes en los que se prohíba la conexión a tierra a través del conductor neutro:
 - ▶ Desconectar el enlace del conductor neutro.
 - ▶ Utilizar una terminal de conexión a tierra o un cable para poner la unidad a tierra.
 - ▶ Conectar el terminal neutro al cable neutro del circuito de derivación de la manera habitual (si es preciso conectar el aparato por medio de un kit de cables, utilizar un cable de 4 conductores del listado de UL para este fin).

Este aparato debe estar conectado a tierra. La conexión a tierra reduce el riesgo de descargas eléctricas, ya que proporciona una vía de escape de la corriente eléctrica en caso de cortocircuito.

Este aparato debe estar conectado a un sistema permanente de cableado con toma a tierra metálica, o debe tenderse un conductor de puesta a tierra del equipo con los conductores de circuito y conectarse a la terminal de puesta a tierra del equipo o al cable del aparato.

ADVERTENCIA

UNA PUESTA A TIERRA INCORRECTA PUEDE CAUSAR UNA DESCARGA ELÉCTRICA

- ▶ Es preciso consultar con un electricista calificado si no se comprende la totalidad de las instrucciones de puesta a tierra o si se tiene alguna duda respecto de si el aparato está correctamente conectado a tierra.
- ▶ **NO USAR UN CABLE DE EXTENSIÓN.**
- ▶ Si el cable de suministro de alimentación es demasiado corto, se deberá solicitar a un electricista calificado que instale una toma de corriente cerca del aparato.

Se deben incorporar en el cableado fijo de acuerdo con la normativa de cableado medios de desconexión de la red de suministro con una separación de contactos en todos los polos que proporcionan una desconexión total de acuerdo con las condiciones de la categoría de sobrevoltaje III.



INSTRUCCIONES DE SEGURIDAD IMPORTANTES

LEA Y CONSERVE ESTAS INSTRUCCIONES

ADVERTENCIA

Para reducir el riesgo de incendio o descarga eléctrica, no utilizar este aparato con ningún dispositivo de control de velocidad de estado sólido.

ADVERTENCIA

Los componentes dentro del aparato pueden tener bordes filosos. El cable de alimentación puede estar dañado.

- ▶ No retorcer ni pellizcar el cable de alimentación durante la instalación.

Antes de enchufar un cable eléctrico o encender la fuente de alimentación eléctrica, asegurarse de que todos los controles se encuentren en la posición OFF (apagado). Para evitar riesgos de lesiones derivadas de reparaciones inadecuadas, se recomienda seguir las siguientes indicaciones.

- ▶ Únicamente los técnicos especialistas o los proveedores de servicios autorizados deben llevar a cabo reparaciones.
- ▶ Solo se pueden utilizar repuestos originales para reparar el aparato.
- ▶ Si el cable de conexión de red de este aparato resulta dañado, éste debe ser sustituido por el fabricante, por el servicio de atención al cliente o por una persona cualificada a fin de evitar posibles situaciones de peligro.

1.6 Advertencias en virtud de la Proposición 65 del estado de California

Este producto puede contener un químico que el Estado de California reconoce como potencialmente cancerígeno o causante de daños reproductivos. Por tanto, su producto debe llevar en su embalaje la siguiente etiqueta de conformidad con la legislación de California:

ADVERTENCIA EN VIRTUD DE LA PROPOSICIÓN 65 DEL ESTADO DE CALIFORNIA:

⚠ ADVERTENCIA

Cáncer y daño reproductivo - www.P65Warnings.ca.gov

Modos de funcionamiento

Modo evacuación exterior de aire

Los filtros antigrasa limpian el aire aspirado y lo transportan al exterior a través de un sistema de tubos.



No se debe extraer el aire a una chimenea que se utilice para evacuar humos de escape de aparatos que queman gas u otros combustibles (esto no se aplica a aparatos que solo devuelven aire a la estancia).

- Si el aire de salida se necesita transportar hacia una chimenea de humos o de escape de gases que no se está utilizando, debe obtenerse primero el permiso del inspector de calefacción responsable de esa zona.
- Si el aire de salida se transporta por medio de la pared exterior, se debe utilizar un pasamuros telescópico.

Preparativos para el montaje

ATENCION

Asegurarse de que no haya cables eléctricos o tuberías de gas o agua en el área donde se va a taladrar.

Revisar la pared

- La pared debe ser plana, vertical y tener suficiente capacidad de carga.
- La profundidad de los agujeros debe ser equivalente a la longitud de los tornillos. Los taquetes deben quedar bien sujetos.
- Para determinadas construcciones (p. ej., placas de yeso, concreto celular, ladrillos Poroton) se deberán utilizar medios de fijación apropiados.
- El peso máximo del aparato es de **aprox. 15.5 lbs (7 kg)**.
- Solo el personal especializado puede realizar la perforación necesaria en la pared. Se debe garantizar la integridad estructural del edificio.
- Peligro de sufrir daños por recirculación del vapor condensado. Instalar el pasamuros ligeramente inclinado hacia afuera (pendiente de 1°).

Conexión eléctrica

ADVERTENCIA

Peligro de descarga eléctrica

Los componentes dentro del equipo pueden tener bordes filosos. Puede dañarse el cable de conexión. No retorcer ni constreñir el cable durante la instalación.

Los datos de conexión necesarios se encuentran en la placa de especificaciones del aparato.

Este aparato cumple con las disposiciones en materia de supresión de interferencias de la CE.

Este aparato solo podrá conectarse a una toma de corriente con toma a tierra con instalación reglamentaria.

Instalar la toma de corriente con toma a tierra directamente junto al aparato.

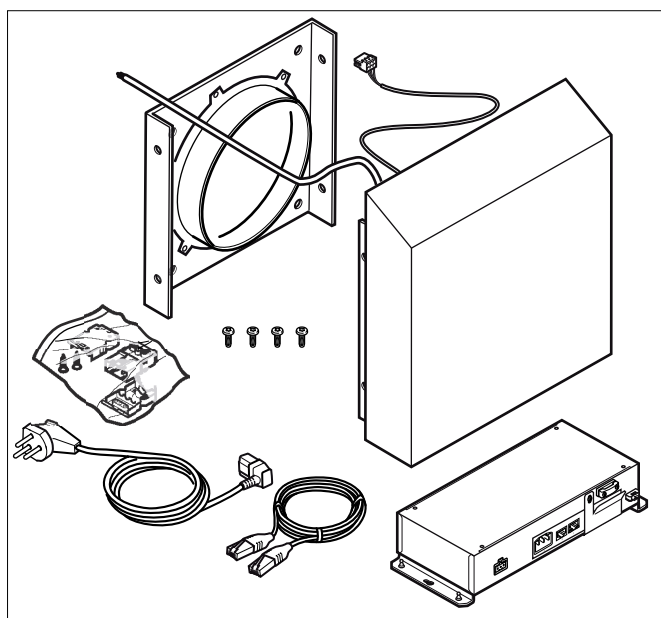
- La toma de corriente con toma a tierra debe estar conectada mediante un circuito propio.
- Si una vez instalado el aparato no se puede acceder a la toma de corriente con toma a tierra, la instalación debe contar con un seccionador omnipolar (p. ej., interruptor automático, fusibles y contactores) con una abertura de contacto mínima de 3 mm.

Antes de empezar

Herramientas y piezas necesarias

- Destornillador Torx T20
- Lápiz
- Taladrar con punta $\frac{5}{16}$ " (8 mm)
- Taladrar con punta $\frac{13}{16}$ " (20 mm)
- Rompecabezas
- Medición de cinta

Piezas incluidas



Conexión de la salida de aire

- Racor de empalme de \varnothing 8" (200 mm), suministrado
- **AD 704 040:** Pieza de acoplamiento de tubo \varnothing 8" (200 mm) a \varnothing 6" (150 mm). Metal zincado. (Accesorio especial, solicitar por separado)
- **AD 704 050:** Colector de aire para conductos planos. Para AL400. Metal zincado. DN150 plano (Accesorio especial, solicitar por separado)
- **AD 702052:** Pasamuros telescópico de 8" (200 mm) redondo. DN 200. Acero inoxidable (Accesorio especial, solicitar por separado)

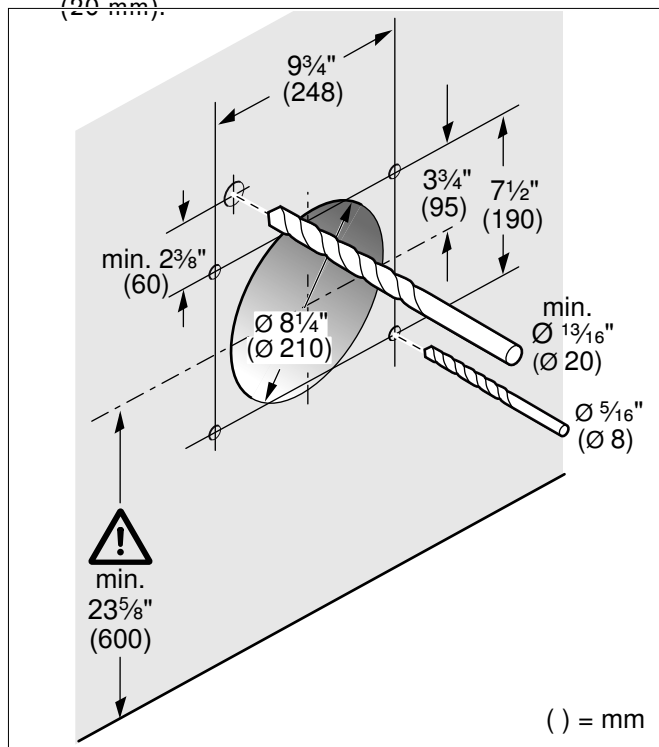
Instalación del aparato

Montaje del aparato en la pared

⚠ ATENCION

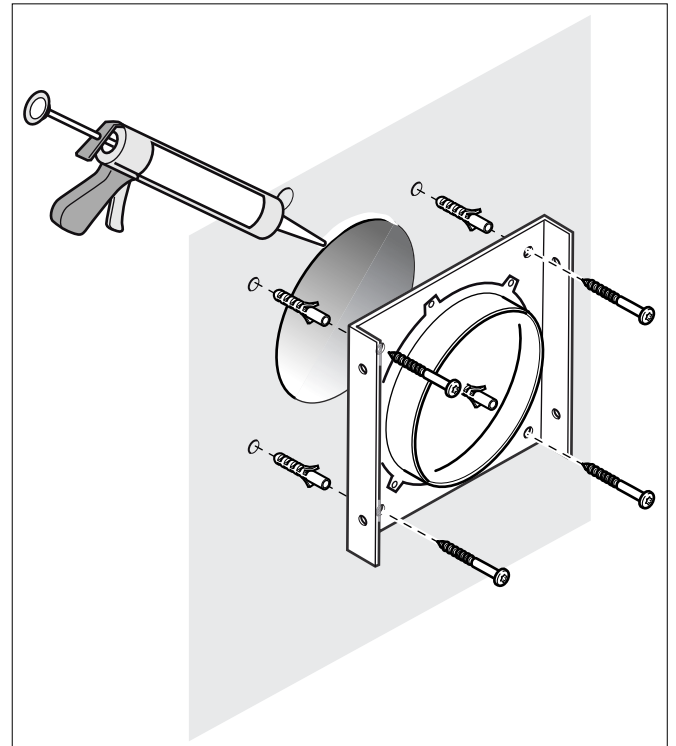
Asegurarse de que no haya cables eléctricos o tuberías de gas o agua en el área donde se va a taladrar.

- 1 Abrir un agujero en la pared con un diámetro de mín. de $8\frac{1}{4}$ " (210 mm).
- 2 Perforar agujeros de fijación de $\frac{5}{16}$ " (8 mm) y uno para los cables con un diámetro mínimo de $\frac{13}{16}$ " (20 mm).

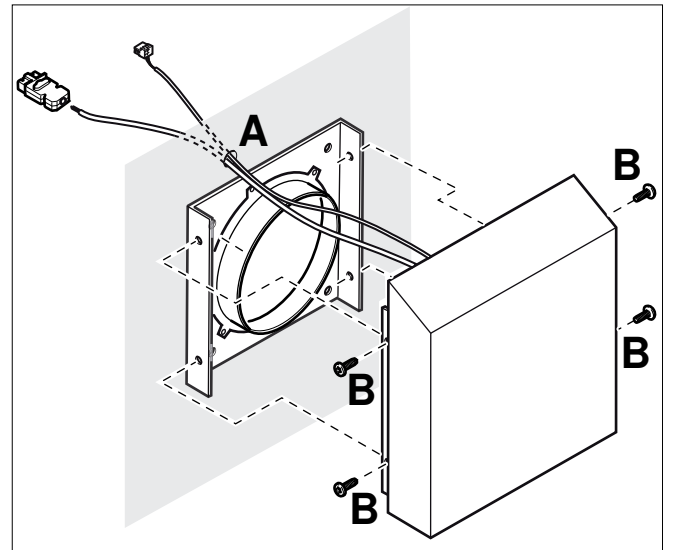


- 3 Introducir los taquetes de forma que queden enrasados con la pared.

- 4 Sellar y atornillar debidamente la placa de montaje.



- 5 Pasar el cable de la red y el de control por la pared (A).



- 6 Atornillar el módulo del ventilador a la placa de montaje (B).
- 7 Fijar el tubo de salida de aire en el racor de empalme. Pulir previamente la zona de conexión.
- 8 Fijar la unidad de control en el interior de la pared.

Conectar el aparato a la red eléctrica

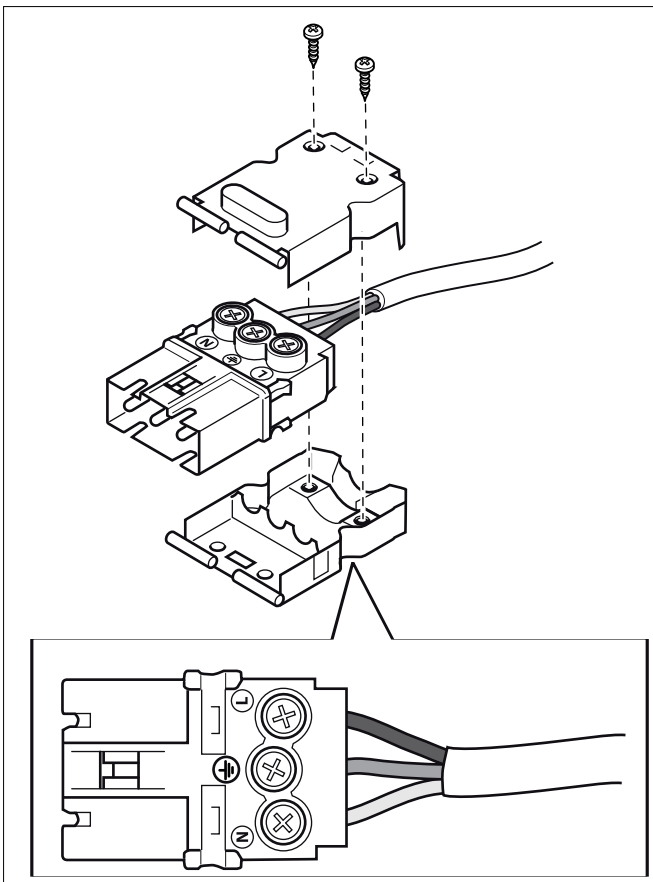
Nota: La unidad de control se debe instalar en el interior, en una posición de fácil acceso.

- 1 Montar el enchufe en el cable de red.
Conectar los cables de la siguiente forma:

Toma	Color del cable
N	negro #1 (o azul)
F	negro #2 (o marrón)
⊕	verde/amarillo

Ver esquema de conexión al final de estas instrucciones

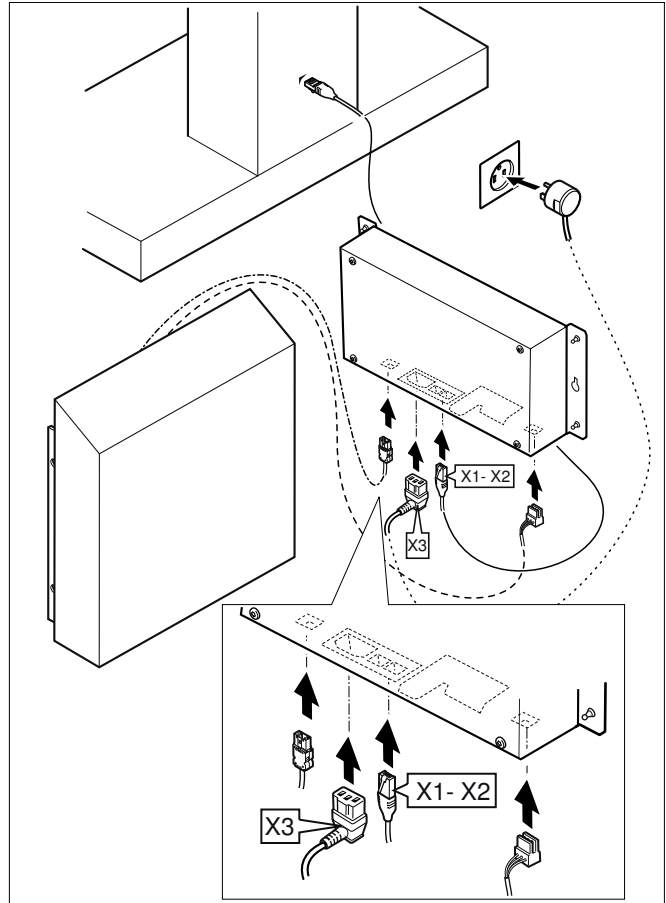
Montar las piezas del enchufe. Atornillar dos tornillos para la descarga de tracción.



- 2 Insertar firmemente en la unidad de control el cable de red y el cable de control del módulo de ventilador.
- 3 Insertar firmemente el cable de red de la unidad de control en la cubierta de la campana. Los enchufes tienen que encajar.

Nota: Los enchufes de conexión X1 y X2 son idénticos.

- 4 Conectar la unidad de control a la red y comprobar si funciona. Si el aparato no funciona: comprobar si el cable de conexión está colocado correctamente.



Salida de conexión adicional

⚠ ADVERTENCIA

Los trabajos en la salida de conexión adicional solo deben llevarlos a cabo electricistas profesionales que conozcan las disposiciones y normativas vigentes en el país correspondiente.

El aparato dispone de una salida de conexión adicional X16 (contacto libre de potencial) para conectar otros aparatos como, por ejemplo, un equipo de ventilación existente. El contacto se cierra si el ventilador está conectado y se abre si el ventilador está desconectado.

La salida de conexión se encuentra debajo de una cubierta. Potencia de conexión máxima 30 V/1 A (CA/CC). La señal que se conecta al contacto debe ser de la clase de protección 3.

Funcionamiento conectado

Se pueden conectar varios aparatos. Las luces y los ventiladores de todos los aparatos funcionan de forma sincronizada.

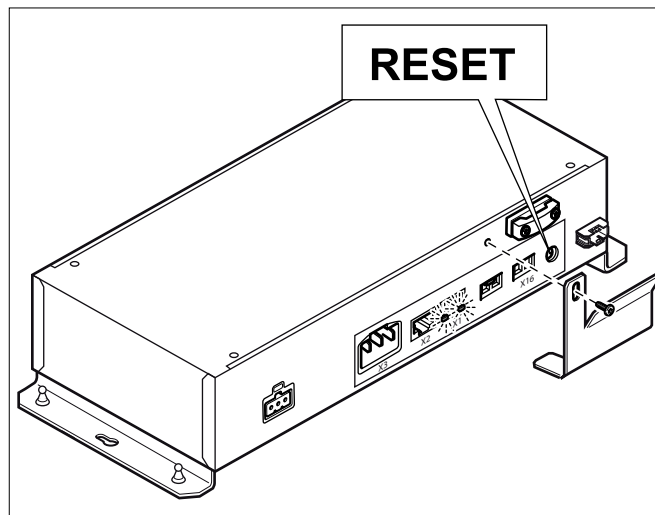
Conectar los aparatos en serie mediante los bornes de conexión X1 y X2 (equivalentes). El orden de la conexión no influye. Si los cables de red suministrados son demasiado cortos, utilizar un cable de red convencional (mín. Cat5, blindado).

Número máximo de conexiones: 20 aparatos. Longitud total de todos los cables de red: 131 pies (40 m). Un profesional calificado debe comprobar la funcionalidad de la instalación en la primera instalación.

Si uno de los aparatos conectados falla (interrupción de la tensión, separación del cable de red), se bloqueará el funcionamiento del ventilador de todo el sistema. Todas las teclas del aparato parpadean.

Si se modifica la configuración, se deberá reiniciar la instalación:

- 1 Desatornillar la tapa protectora.
- 2 Pulsar la tecla Reset hasta que los dos LED se iluminen de forma permanente (aprox. 5 segundos). Después de 5 segundos, soltar la tecla.
- 3 Atornillar la tapa protectora.
- 4 Contactar con profesionales calificados para que comprueben el funcionamiento de la instalación tras el reinicio.



Conexión de la alimentación eléctrica

⚠ ADVERTENCIA

Peligro de descarga eléctrica

Los componentes dentro del equipo pueden tener bordes filosos. Puede dañarse el cable de conexión. No retorcer ni constreñir el cable durante la instalación.

Para más información, véase la placa de características. Véase la ubicación de la placa de características en "Servicio".

El amperaje máximo de los disyuntores derivados, la sección de los cables y las conexiones deben ser conformes con los requisitos del Reglamento electrotécnico nacional o el Reglamento eléctrico canadiense, así como con todos los demás reglamentos y disposiciones locales.

Este aparato tiene conexión con un enchufe

- El enchufe debe ser conforme con las CONFIGURACIONES NEMA PARA ENCHUFES Y CAJAS.
- El aparato debe estar debidamente conectado a tierra.

- El enchufe debe ser, como mínimo, de tipo 6-20 P (puesta a tierra de 2 polos y 3 conductores).
- La conexión del enchufe debe ser realizada únicamente por un técnico electricista cualificado.
- Instalar una base de enchufe aprox. 27" (700 mm) por encima del suelo y detrás del aparato de acuerdo con la normativa. Debe garantizarse el acceso a la base de enchufe después de su instalación.

Desmontaje del aparato

- 1 Desconectar el aparato de la corriente.
- 2 Aflojar las líneas de aire de salida.
- 3 Aflojar las conexiones de los cables.
- 4 Aflojar los tornillos de fijación del aparato.
- 5 Sacar el aparato.

Servicio de Atención al Cliente

En cada reparación cubierta por la garantía, nos aseguramos de que su aparato sea reparado con repuestos originales por un proveedor de servicio capacitado y autorizado. Solo utilizamos repuestos originales para todos los tipos de reparaciones. Nuestro servicio al cliente le proporcionará piezas de repuesto originales, funcionales y disponibles en inventario hasta 15 años a partir de la fecha de introducción del aparato en el mercado.

Para más información, contactar con nuestro servicio al cliente.

Las informaciones detalladas sobre el periodo de validez de la garantía y las condiciones de garantía las podrá encontrar en nuestras condiciones de garantía, con su distribuido o en nuestra página web.

USA:

1-877-442-4436

www.gaggenau.com

www.gaggenau.com/us/appliances/eshop

CA:

1-877-442-4436

www.gaggenau.com

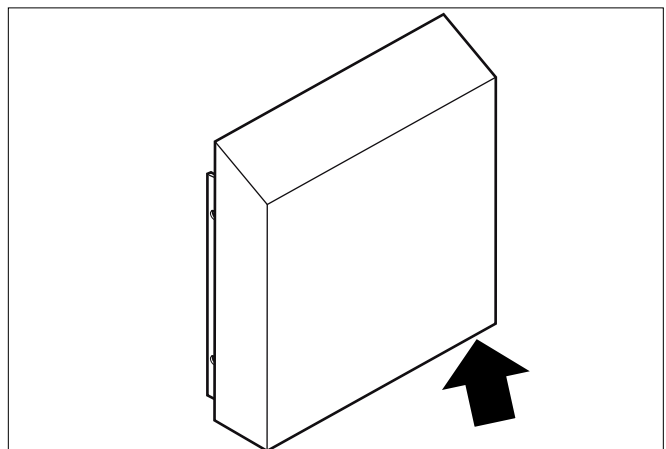
www.gaggenau.ca

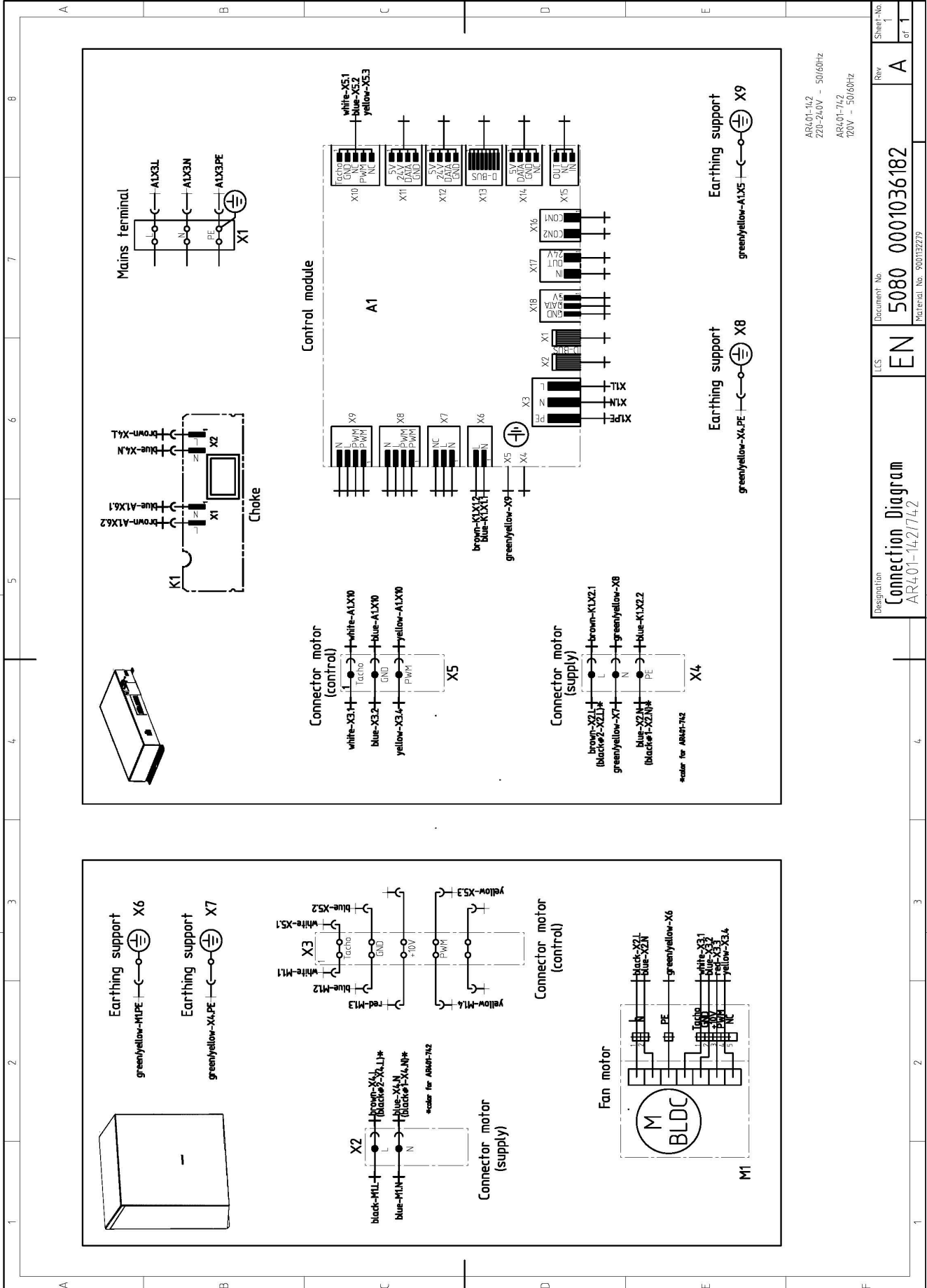
Número de modelo (E-Nr.) y número de fabricación (FD)

Si contacta al servicio de atención al cliente, necesita el número de modelo (E-Nr.) y el número de fabricación (FD), que puede encontrar en la placa de características del aparato.

Para volver a encontrar rápidamente los datos del aparato o el número de teléfono del servicio de atención al cliente, puede anotar dichos datos.

Cuando llame, por favor indique el número de producto (E-Nr.) y el número de serie (FD-Nr.) de manera que lo podamos apoyar de manera calificada. Encontrará las placas de características con estos números en la parte inferior del aparato.





Designation	EN	Document No.	Rev	Sheet-No.
Connection Diagram	EN	5080	A	1
AR401-142/142		0001036182		of 1
		Material No. 900192279		

AR401-142
220-240V - 50/60Hz
AR401-142
220V - 50/60Hz

Released

BSH Home Appliance Corporation
1901 Main Street, Suite 600 Irvine,
CA 92614
+1-877-442-4436

www.gaggenau.com/us

© 2026 BSH Home Appliances

GAGGENAU



9000973920 en-us, es-mx, fr-ca (060415)