

EXTRACTOR HOOD

VL200120



You can find additional information and explanations online.
Scan the QR code on the title page.



Table of contents

INFORMATION FOR USE	8 Basic operation	6
1 Safety	9 Cleaning and servicing	7
2 Avoiding material damage	10 Troubleshooting	9
3 Environmental protection and saving energy	11 Customer Service	10
4 Operating modes	12 Disposal	10
5 Familiarising yourself with your appliance	13 INSTALLATION INSTRUCTIONS	11
6 Accessories	13.3 Secure installation	11
7 Before using for the first time		

1 Safety

Observe the following safety instructions.

1.1 Definition of the signal words

This is where you can find explanations for the safety signal words used in this manual.

WARNING

This indicates that death or serious injuries may occur as a result of non-observance of this warning.

ATTENTION

This indicates that damage to the appliance or other material damage may occur as a result of non-compliance with this warning.

Note: This alerts you to important information.

1.2 General information

- Read this instruction manual carefully.
- Keep the instruction manual and the product information safe for future reference or for the next owner.
- Do not connect the appliance if it has been damaged in transit.

1.3 Intended use

This appliance is not intended to be used as a built-in appliance.

The appliance can only be used safely if it is correctly installed according to the safety instructions. The installer is responsible for ensuring that the appliance works perfectly at its installation location.

Only use this appliance:

- For extracting cooking vapour.
- in private households and in enclosed spaces in a domestic environment.
- Up to an altitude of 4000 m above sea level.

Do not use the appliance:

- With an external timer.
- To extract hazardous or explosive substances and vapours.
- To extract small parts and liquids.

1.4 Restriction on user group

This appliance may be used by children aged 8 or over and by people who have reduced physical, sensory or mental abilities or inadequate experience and/or knowledge, provided that they are supervised or have been instructed on how to use the appliance safely and have understood the resulting dangers.

Do not let children play with the appliance. Children must not perform cleaning or user maintenance unless they are at least 15 years old and are being supervised. Keep children under the age of 8 years away from the appliance and power cable.

1.5 Safe use

⚠ **WARNING – Risk of fire!**

The extractor hood may draw in the flame from gas burners.

The grease deposits in the grease filter may catch fire. Small flames may go out.

- ▶ If you are operating the extractor hood next to a gas-fired appliance, fit the ventilation moulding on the gas-fired appliance. The ventilation moulding prevents the extractor hood from drawing in flames.

Fatty deposits in the grease filters may catch fire.

- ▶ Never operate the appliance without a grease filter.
- ▶ Clean the grease filters regularly.
- ▶ Never work with naked flames close to the appliance (e.g. flambéing).
- ▶ Do not install the appliance near a solid fuel heating appliance (e.g. wood- or coal-burning) unless the heating appliance has a sealed, non-removable cover. There must be no flying sparks.

Hot oil and fat ignites very quickly.

- ▶ Always supervise hot oil and fat.
- ▶ Never extinguish burning oil or fat with water. Switch off the hotplate. Extinguish flames carefully using a lid, fire blanket or something similar and leave to cool down.

Fatty deposits in the grease filters may catch fire.

- ▶ Clean the grease filters regularly.

⚠ **WARNING – Risk of suffocation!**

Children may put packaging material over their heads or wrap themselves up in it and suffocate.

- ▶ Keep packaging material away from children.
- ▶ Do not let children play with packaging material.

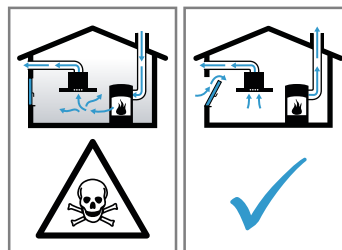
Children may breathe in or swallow small parts, causing them to suffocate.

- ▶ Keep small parts away from children.
- ▶ Do not let children play with small parts.

⚠ **WARNING – Risk of poisoning!**

Risk of poisoning from flue gases being drawn back in. Room-air-dependent heat-producing appliances (e.g. gas, oil, wood or coal-operated heaters, continuous flow heaters or water heaters) obtain combustion air from the room in which they are installed and discharge the exhaust gases into the open through an exhaust gas system (e.g. a chimney). With the

extractor hood switched on, air is extracted from the kitchen and the adjacent rooms. Without an adequate supply of air, the air pressure falls below atmospheric pressure. Toxic gases from the chimney or the extraction shaft are sucked back into the living space.



- ▶ Always ensure adequate fresh air in the room if the appliance is being operated in exhaust air mode at the same time as a room-air-dependent heat-producing appliance is being operated.
- ▶ It is only possible to safely operate the appliance if the pressure in the room in which the heating appliance is installed does not fall below 4 Pa (0.04 mbar). This can be achieved whenever the air needed for combustion is able to enter through openings that cannot be sealed, for example in doors, windows, incoming/exhaust air wall boxes or by other technical means. An incoming/exhaust air wall box alone is not sufficient to ensure compliance with the limit.
- ▶ In any case, consult your responsible chimney sweep. They are able to assess the house's entire ventilation setup and will suggest the suitable ventilation measures to you.

Using a gas cooking appliance leads to a build-up of heat, moisture and combustion products in the room where the appliance is installed.

- ▶ Switch on the extractor hood when using a gas cooking appliance.

⚠ **WARNING – Risk of burns!**

The accessible parts of the appliance become hot during operation.

- ▶ Never touch these hot parts.
- ▶ Keep children at a safe distance.

The appliance becomes hot during operation.

- ▶ Allow the appliance to cool down before cleaning.

⚠ **WARNING – Risk of injury!**

Components inside the appliance may have sharp edges.

- ▶ Carefully clean the appliance interior.

Changes to the electrical or mechanical assembly are dangerous and may lead to malfunctions.

- ▶ Do not make any changes to the electrical or mechanical assembly.

Improper repairs are dangerous.

- ▶ Repairs to the appliance should only be carried out by trained specialist staff.
- ▶ If the appliance is defective, call Customer Service.

→ "Customer Service", Page 10

⚠ WARNING – Risk of electric shock!

If the appliance or the power cord is damaged, this is dangerous.

- ▶ Never operate a damaged appliance.
- ▶ Never pull on the power cord to unplug the appliance. Always unplug the appliance at the mains.
- ▶ If the appliance or the power cord is damaged, immediately unplug the power cord or switch off the fuse in the fuse box.
- ▶ Call customer service. → Page 10

Improper repairs are dangerous.

- ▶ Repairs to the appliance should only be carried out by trained specialist staff.
- ▶ Only use genuine spare parts when repairing the appliance.

- ▶ If the power cord or the appliance power cable of this appliance is damaged, it must be replaced with a special power cord or special appliance power cable, which is available from the manufacturer or its Customer Service.
- ▶ If the power cord of this appliance is damaged, it must be replaced by trained specialist staff.

An ingress of moisture can cause an electric shock.

- ▶ Before cleaning, pull out the mains plug or switch off the fuse in the fuse box.
- ▶ Do not use steam- or high-pressure cleaners to clean the appliance.

Penetrating moisture may cause an electric shock.

- ▶ Do not use wet sponge cloths.

⚠ WARNING – Risk of explosion!

Highly caustic alkaline or highly acidic cleaning agents in conjunction with aluminium parts in the interior of the appliance may cause explosions.

- ▶ Never use highly caustic alkaline or highly acidic cleaning agents. In particular, do not use commercial or industrial cleaning agents in conjunction with aluminium parts, e.g. grease filter on extractor hoods.

2 Avoiding material damage

ATTENTION

Condensate may cause corrosion damage.

- ▶ To prevent condensation from building up, switch on the appliance during cooking.

If moisture gets into the controls, this may result in damage.

- ▶ Never clean controls with a wet cloth.

3 Environmental protection and saving energy

3.1 Disposing of packaging

The packaging materials are environmentally compatible and can be recycled.

- ▶ Sort the individual components by type and dispose of them separately.

3.2 Saving energy

If you follow these instructions, your appliance will use less power.

Adjust the fan speed to the amount of steam produced during cooking.

- ✓ The lower the fan speed, the less energy is consumed.
- ✓ Only use the intensive mode as required.

If cooking produces large amounts of steam, select a higher fan speed in good time.

- ✓ The odours are distributed around the room less.

Clean or replace the filters at regular intervals.

- ✓ The effectiveness of the filter is retained.

Put the cooking lid on.

- ✓ The cooking vapours and condensation are reduced.

Only use the additional functions if required.

- ✓ Switching off additional functions reduces power consumption.

4 Operating modes

You can use your appliance in air extraction mode or circulating-air mode.

4.1 Air extraction mode

The air which is drawn in is cleaned by the grease filters and conveyed to the exterior by a pipe system.



The air must not be discharged into a flue that is used for exhausting fumes from appliances burning gas or other fuels (not applicable to appliances that only discharge the air back into the room).

- If the exhaust air is to be conveyed into a non-functioning smoke or exhaust gas flue, you must obtain the consent of the heating engineer responsible.
- If the exhaust air is conveyed through the external wall, a telescopic duct should be used.

4.2 Air recirculation

The air which is drawn in is cleaned by the grease filters and an odour filter, and conveyed back into the room.



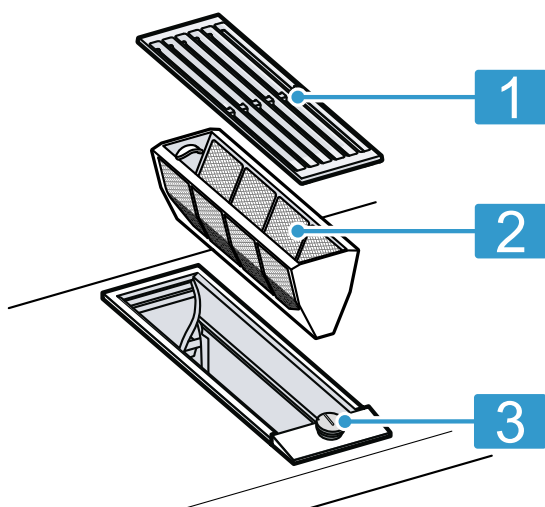
To bind odours in air recirculation mode, you must install an odour filter. The different options for operating the appliance in air circulation mode can be found in our catalogue. Alternatively, ask your dealer. The required accessories are available from specialist retailers, from our after-sales service or from the online shop.

Note: When cooking intensively and for a long time, moisture is released into the air in the room. When using the appliance in air recirculation mode, we recommend ventilating the kitchen adequately, e.g. by briefly opening a window to remove excessive moisture.

5 Familiarising yourself with your appliance

5.1 Appliance

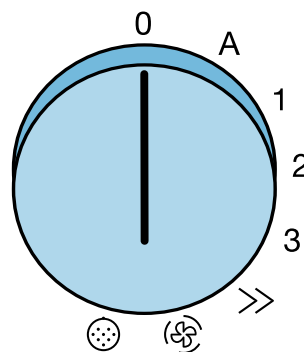
You can find an overview of the parts of your appliance here.



- | | |
|---|--------------------|
| 1 | Ventilation grille |
| 2 | Grease filter |
| 3 | Control knob |

5.2 Control knob

You use the control knob to configure the settings on your appliance and obtain information about the operating status.



0	Switching off the appliance
A	Switching on automatic mode
1	Switching on fan level 1
2	Switching on fan level 2
3	Switching on fan level 3
>>	Switching on intensive mode
(⌘)	Switching on interval ventilation
(⊙)	Resetting the saturation indicator

5.3 Indicator on the illuminated ring

The control knob has an illuminated ring with various display functions.

Indicator	Name
Off	Appliance OFF

Indicator	Name
Lights up: Orange	Appliance ON
Appliance switched off, slowly flashes: White (three times)	Grease filter saturation indicator
Appliance switched off, quickly flashes: White (six times)	Odour filter saturation indicator (in air recirculation mode only)
Flashing: Orange	Appliance fault. Call customer service.

5.4 Ventilation moulding

If the extractor hood is operating beside a gas appliance, you must fit the ventilation moulding onto the gas

appliance during cooking. The ventilation moulding improves the extraction behaviour of gas appliances. The ventilation moulding prevents small flames from being extinguished by the draught of air.

⚠ **WARNING – Risk of fire!**

The extractor hood may draw in the flame from gas burners.

The grease deposits in the grease filter may catch fire. Small flames may go out.

- ▶ If you are operating the extractor hood next to a gas-fired appliance, fit the ventilation moulding on the gas-fired appliance. The ventilation moulding prevents the extractor hood from drawing in flames.

6 Accessories

Use original accessories. These have been made especially for your appliance.

Accessories	Order number
Ventilation moulding for operation beside a gas appliance	LS041001

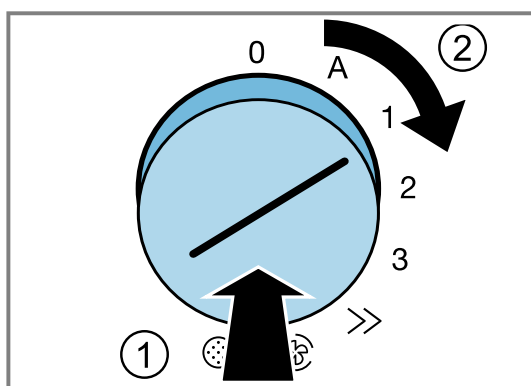
7 Before using for the first time

Clean the appliance and accessories.

8 Basic operation

8.1 Switching on the appliance

- ▶ Push in the control knob and turn it clockwise to the fan setting you require.



- ✓ The illuminated ring on the control knob lights up orange.

8.2 Switching off the appliance

- ▶ Turn the control knob anti-clockwise to 0. If the fan run-on is activated, the appliance continues to run for a short time after it is switched off. → "Fan run-on", Page 7

8.3 Automatic mode

In automatic mode, a sensor in the appliance detects the intensity of the cooking and roasting fumes. Depending on the setting of the sensor sensitivity, the optimum fan setting is automatically switched on. If the sensor control system reacts too weakly or too strongly, the setting for the sensor sensitivity may change.

Switching on automatic mode

The optimum fan setting is set automatically using a sensor.

- ▶ Push in the control knob and turn it clockwise to A.
- ✓ Automatic mode is activated.
- ✓ Using the sensor, the appliance automatically switches on the optimum fan setting 1, 2, 3 or the intensive mode.
- ✓ The illuminated ring on the control knob lights up orange while the ventilation system is switched on.

Note: Automatic mode can run for a maximum of 8 hours.

Switching off automatic mode

- ▶ Turn the control knob anti-clockwise to 0.

8.4 Switching on intensive mode

If particularly strong odours or vapours develop, you can use intensive mode.

- ▶ Push in the control knob and turn it five notches clockwise to >>.
- ✓ The illuminated ring behind the control knob goes out briefly and then lights up orange.
- ✓ A signal tone sounds.
- ✓ After approx. 6 minutes, the appliance automatically switches to fan setting 3.

8.5 Switching off intensive mode

- ▶ Turn the control knob five notches anti-clockwise to 0.

8.6 Switching on interval ventilation

With interval ventilation, the ventilation switches on at fan setting 1 for approx. 6 minutes every hour.

- ▶ Push in the control knob and turn it six notches clockwise to ⑥.
- ✓ The illuminated ring on the control knob lights up orange while the ventilation system is switched on.

8.7 Switching off interval ventilation

- ▶ Turn the control knob six notches anti-clockwise to 0.

8.8 Fan run-on

During the fan run-on, the appliance continues running at a lower fan setting for a short time after switch-off and then switches off automatically. The fan run-on reduces condensation in the appliance.

While the ventilation system is switched on, the illuminated ring on the control knob slowly flashes orange. The fan run-on only starts if the appliance has been switched on for at least 2 minutes.

In automatic mode, the appliance always switches off when you turn the control knob to position 0.

Switching off the fan run-on early

1. Turn the control knob one notch clockwise to A.
 - ✓ The illuminated ring behind the control knob goes out briefly and then lights up orange.
 - ✓ A signal tone sounds.
2. Turn the control knob one notch anti-clockwise to 0.
 - ✓ The appliance switches off the fan run-on early.

8.9 Resetting the saturation indicator

After cleaning the grease filter or after changing the odour filter, the saturation indicator can be reset.

Requirement: After the appliance has been switched off, the illuminated ring on the control knob flashes white slowly three times for the grease filter saturation indicator or flashes white rapidly six times for the odour filter saturation indicator.

1. Push in the control knob and turn it seven notches clockwise to ⑦.
 - ✓ The illuminated ring on the control knob flashes white three times.
 - ✓ The saturation indicator is reset.
 - ✓ A signal tone sounds.
2. Turn the control knob another seven notches anti-clockwise to 0.

9 Cleaning and servicing

9.1 Cleaning the appliance

Clean the appliance as specified. This will ensure that the different parts and surfaces of the appliance are not damaged by incorrect cleaning or unsuitable cleaning products.

⚠ **WARNING – Risk of explosion!**

Highly caustic alkaline or highly acidic cleaning agents in conjunction with aluminium parts in the interior of the appliance may cause explosions.

- ▶ Never use highly caustic alkaline or highly acidic cleaning agents. In particular, do not use commercial or industrial cleaning agents in conjunction with aluminium parts, e.g. grease filter on extractor hoods.

⚠ **WARNING – Risk of electric shock!**

An ingress of moisture can cause an electric shock.

- ▶ Before cleaning, pull out the mains plug or switch off the fuse in the fuse box.
- ▶ Do not use steam- or high-pressure cleaners to clean the appliance.

⚠ **WARNING – Risk of burns!**

The appliance becomes hot during operation.

- ▶ Allow the appliance to cool down before cleaning.

⚠ **WARNING – Risk of injury!**

Components inside the appliance may have sharp edges.

- ▶ Carefully clean the appliance interior.
1. Observe the information regarding the cleaning agents.
 - "Cleaning products", Page 7
 2. Clean as follows, depending on the surface:
 - ▶ Clean stainless steel surfaces in the direction of the finish using a sponge cloth and hot soapy water.
 - ▶ Clean aluminium using a soft cloth and glass cleaner.
 - ▶ Clean plastic using a soft cloth and glass cleaner.
 3. Dry with a soft cloth.
 4. Apply a thin layer of the stainless steel cleaning product to stainless steel surfaces using a soft cloth. You can obtain stainless steel cleaning products from the after-sales service or the online shop.

9.2 Cleaning products

You can obtain suitable cleaning products from after-sales service or the online shop.

⚠ **WARNING – Risk of electric shock!**

An ingress of moisture can cause an electric shock.

- ▶ Before cleaning, pull out the mains plug or switch off the fuse in the fuse box.

- ▶ Do not use steam- or high-pressure cleaners to clean the appliance.

⚠ WARNING – Risk of burns!

The appliance becomes hot during operation.

- ▶ Allow the appliance to cool down before cleaning.

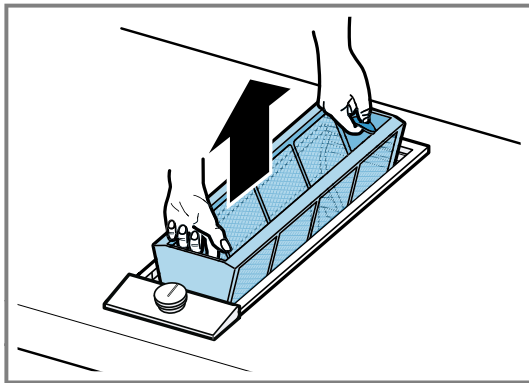
ATTENTION

Unsuitable cleaning products may damage the surfaces of the appliance.

- ▶ Do not use harsh or abrasive detergents.
- ▶ Do not use cleaning products with a high alcohol content.
- ▶ Do not use hard scouring pads or cleaning sponges.
- ▶ Only use glass cleaners, glass scrapers or stainless steel care products if recommended in the cleaning instructions for the relevant part.
- ▶ Wash sponge cloths thoroughly before use.

9.3 Removing the grease filter

1. Remove the ventilation grille.
2. Pull the grease filter up and out of the appliance using the handles in the grease filter.



3. Clean the grease filter.
 - "Cleaning grease filters manually", Page 8
 - "Cleaning grease filters in the dishwasher", Page 8
4. Clean the ventilation grille.
5. Wipe out the inside of the appliance with a damp dish cloth.
 - ▶ Use only a small amount of water for cleaning. Do not allow water to get into the appliance.

9.4 Cleaning grease filters manually

The grease filters filter the grease from the cooking vapour. Regularly cleaned grease filters guarantee a high level of grease removal. We recommend cleaning the grease filters every two months.

⚠ WARNING – Risk of fire!

Fatty deposits in the grease filters may catch fire.

- ▶ Clean the grease filters regularly.

Requirement: The grease filters have been removed.

→ "Removing the grease filter", Page 8

1. Observe the information regarding the cleaning agents.
 - "Cleaning products", Page 7

2. Soak the grease filter in hot soapy water. Use special grease solvent for stubborn dirt. You can obtain grease solvents from customer service or the online shop.
3. Use a brush to clean the grease filters.
4. Rinse the grease filters thoroughly.
5. Allow the grease filters to drain.

9.5 Cleaning grease filters in the dishwasher

The grease filters filter the grease from the cooking vapour. Regularly cleaned grease filters guarantee a high level of grease removal. We recommend cleaning the grease filters every two months.

⚠ WARNING – Risk of fire!

Fatty deposits in the grease filters may catch fire.

- ▶ Clean the grease filters regularly.

ATTENTION

The grease filters may become damaged if they are squeezed in the dishwasher.

- ▶ Do not squeeze the grease filters.

Note: When cleaning the grease filter in the dishwasher, light discolouration may occur. This discolouration has no effect on the performance of the metal grease filters.

Requirement: The grease filters have been removed.

→ "Removing the grease filter", Page 8

1. Observe the information regarding the cleaning agents.
 - "Cleaning products", Page 7
2. Place the grease filters loosely into the dishwasher. Do not clean heavily soiled grease filters with utensils. Use special grease solvent for stubborn dirt. You can obtain grease solvents from customer service or the online shop.
3. Start the dishwasher. Select a temperature of no more than 70 °C.
4. Allow the grease filters to drain.

9.6 Cleaning the ventilation grille

1. Carefully remove the ventilation grille.
2. Clean the ventilation grille with hot soapy water or in the dishwasher. When cleaning the ventilation grille in the dishwasher, light discolouration may occur. The light discolouration has no effect on the performance of the ventilation grille.
3. Dry the ventilation grille with a soft cloth.

9.7 Installing the grease filter

Requirement: The grease filter is cleaned and dried.

1. Insert the grease filter.
2. Put the cleaned ventilation grille in position.

9.8 Odour filter for air recirculation mode

Odour filters bind odorous substances in air recirculation mode. Regularly replaced odour filters guarantee a high level of odour removal.

The odour filter of the remote fan unit must be replaced at regular intervals. The saturation indicator on your appliance will tell you how frequently this needs to be

done. The odour filter provided cannot be cleaned or re-generated.

→ "Replacing the odour filter", Page 9

The regenerable odour filter is available as a special accessory.

You can obtain odour filters from customer service or the online shop. Only use original odour filters.

9.9 Cleaning the appliance frame

1. Clean the appliance frame using soapy water and a dish cloth.
 - ▶ Use only a small amount of water for cleaning. Do not allow water to get into the appliance.
2. Leave dried-on remains to soak in a small amount of soapy water. Do not scour dried-on remains.
3. Dry with a soft cloth.

9.10 Cleaning the control knob

⚠ WARNING – Risk of electric shock!

An ingress of moisture can cause an electric shock.

- ▶ Do not detach the control knobs to clean them.
- ▶ Do not use wet sponge cloths.

1. Observe the information regarding the cleaning agents.
 - "Cleaning products", Page 7
2. Clean using a damp sponge cloth and hot soapy water.
3. Dry with a soft cloth.

9.11 Replacing the odour filter

Odour filters bind odorous substances in air recirculation mode. Regularly replaced odour filters guarantee a high level of odour removal.

- ▶ Replace the odour filter in the remote fan unit at regular intervals.
 - ▶ The saturation indicator on your appliance will tell you how frequently this needs to be done.

9.12 Cleaning the connection strip

Notes

- Do not use a glass scraper.
- Lemon and vinegar are not suitable for cleaning and may create dull patches.
- ▶ Clean the connection strip with warm soapy water and a soft cloth.

10 Troubleshooting

You can rectify minor faults on your appliance yourself. Read the troubleshooting information before contacting after-sales service. This will avoid unnecessary costs.

⚠ WARNING – Risk of injury!

Improper repairs are dangerous.

- ▶ Repairs to the appliance should only be carried out by trained specialist staff.
- ▶ If the appliance is defective, call Customer Service.
 - "Customer Service", Page 10

⚠ WARNING – Risk of electric shock!

Improper repairs are dangerous.

- ▶ Repairs to the appliance should only be carried out by trained specialist staff.
- ▶ Only use genuine spare parts when repairing the appliance.
- ▶ If the power cord or the appliance power cable of this appliance is damaged, it must be replaced with a special power cord or special appliance power cable, which is available from the manufacturer or its Customer Service.
- ▶ If the power cord of this appliance is damaged, it must be replaced by trained specialist staff.

10.1 Malfunctions

Fault	Cause and troubleshooting
The appliance is not working.	The circuit breaker in the fuse box has tripped. <ul style="list-style-type: none"> ▶ Check the circuit breaker in the fuse box.
	There has been a power cut. <ul style="list-style-type: none"> ▶ Check whether the lighting in your room or other appliances are working.
	No connection to the remote fan unit. <ul style="list-style-type: none"> ▶ Check whether the plugs on the connection cable for the remote fan unit are properly inserted.
After the appliance has been switched off, the illuminated ring flashes white slowly three times.	The grease filters are saturated. <ul style="list-style-type: none"> ▶ Clean the grease filter in the dishwasher. → Page 8 ▶ Clean the grease filter by hand. → Page 8
After the appliance has been switched off, the illuminated ring flashes white rapidly six times.	The odour filter in the remote fan unit is saturated. <ul style="list-style-type: none"> ▶ Change the odour filter in the remote fan unit. → Page 9

Fault	Cause and troubleshooting
The appliance switches off while operating. The illuminated ring is flashing orange and white alternately.	<p>Safety shut-off: No actions have been performed for an extended period.</p> <ol style="list-style-type: none"> 1. Ensure that there is a connection to the remote fan unit. 2. Turn the control knob to 0. 3. Switch the appliance back on. 4. If the illuminated ring flashes again after you have switched the appliance back on, contact customer service.
The appliance runs in automatic mode, the illuminated ring flashes orange.	<p>The appliance remains off after a power cut.</p> <ol style="list-style-type: none"> 1. Ensure that there is a connection to the remote fan unit. 2. Turn the control knob to 0. 3. Switch the appliance back on. 4. If the illuminated ring flashes again after you have switched the appliance back on, contact customer service. <hr/> <p>The automatic sensor is faulty.</p> <ol style="list-style-type: none"> 1. Ensure that there is a connection to the remote fan unit. 2. Turn the control knob to 0. 3. Switch the appliance back on. 4. If the illuminated ring flashes again after you have switched the appliance back on, contact customer service.

11 Customer Service

Function-relevant genuine spare parts according to the corresponding Ecodesign Directive can be obtained from Customer Service for a period of at least 10 years from the date on which your appliance was placed on the market within the European Economic Area. Furthermore, our Customer Service will continue to provide you with other function-relevant and storable genuine spare parts for up to 15 years from the date on which your appliance was placed on the market. For more information, please contact our Customer Service team.

Note: Under the terms of the manufacturer's warranty the use of Customer Service is free of charge.

Detailed information about the warranty period and the warranty conditions in your country is available via the QR code on the enclosed document on service con-

tacts and warranty conditions, from our customer service or on our website.

You can find the contact details for our customer service via the QR code on the enclosed document on service contacts and warranty conditions or on our website.

11.1 Product number (E-Nr.) and production number (FD)

If you contact Customer Service, you will require the product number (E-Nr.) and the production number (FD), which you can find on the appliance's rating plate. The rating plate is located on the underside of the appliance.

Make a note of your appliance's details and the Customer Service telephone number to find them again quickly.

12 Disposal

12.1 Disposing of old appliance

Valuable raw materials can be reused by recycling.

1. Unplug the appliance from the mains.
2. Cut through the power cord.
3. Dispose of the appliance in an environmentally friendly manner.

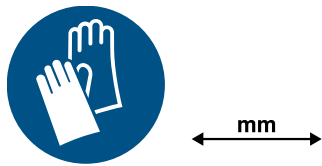
Information about current disposal methods are available from your specialist dealer or local authority.



This appliance is labelled in accordance with European Directive 2012/19/EU concerning used electrical and electronic appliances (waste electrical and electronic equipment - WEEE). The guideline determines the framework for the return and recycling of used appliances as applicable throughout the EU.

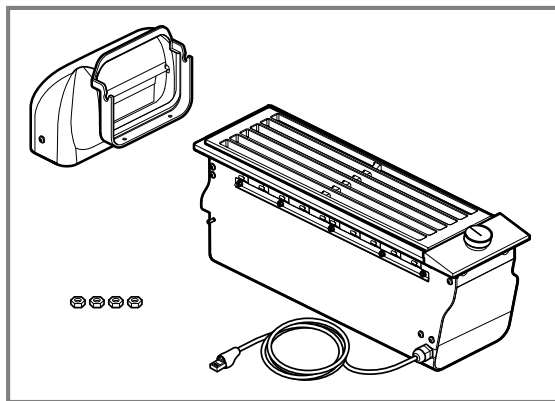
13 Installation instructions

Observe this information when installing the appliance.



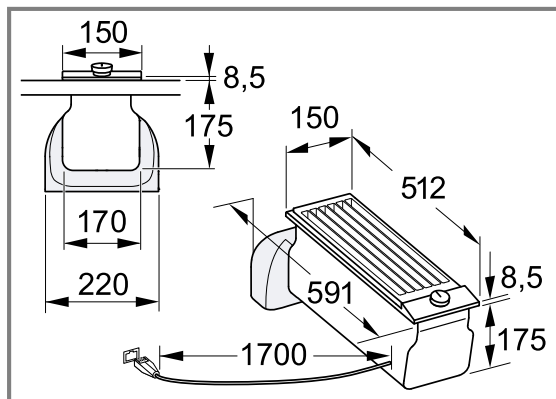
13.1 Scope of delivery

After unpacking all parts, check for any damage in transit and completeness of the delivery.



13.2 Appliance dimensions

You will find the dimensions of the appliance here



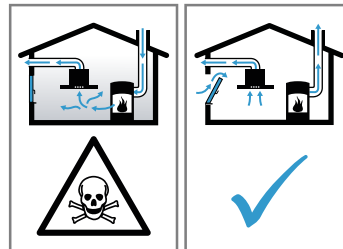
⚠ 13.3 Secure installation

Follow these safety instructions when installing the appliance.

⚠ **WARNING – Risk of poisoning!**

Risk of poisoning from flue gases being drawn back in. Room-air-dependent heat-producing appliances (e.g. gas, oil, wood or coal-operated heaters, continuous flow heaters or water heaters) obtain combustion air from the room in which they are installed and discharge the exhaust gases into the open through an exhaust gas system (e.g. a chimney). With the extractor hood switched on, air is extracted from the kitchen and the adjacent rooms.

Without an adequate supply of air, the air pressure falls below atmospheric pressure. Toxic gases from the chimney or the extraction shaft are sucked back into the living space.



- ▶ Always ensure adequate fresh air in the room if the appliance is being operated in exhaust air mode at the same time as a room-air-dependent heat-producing appliance is being operated.
- ▶ It is only possible to safely operate the appliance if the pressure in the room in which the heating appliance is installed does not fall below 4 Pa (0.04 mbar). This can be achieved whenever the air needed for combustion is able to enter through openings that cannot be sealed, for example in doors, windows, incoming/exhaust air wall boxes or by other technical means. An incoming/exhaust air wall box alone is not sufficient to ensure compliance with the limit.
- ▶ In any case, consult your responsible chimney sweep. They are able to assess the house's entire ventilation setup and will suggest the suitable ventilation measures to you.

Risk of poisoning from flue gases being drawn back in.

- ▶ If an extractor hood with an open-flued heat production source is installed, the power supply for the extractor hood must be provided with a suitable safety switch.
- Risk of poisoning from flue gases being drawn back in.
- ▶ Do not emit the exhaust air into a smoke or exhaust gas flue that is in operation.
 - ▶ Do not emit the exhaust air into a shaft that is used to ventilate installation rooms for heat-producing appliances.
 - ▶ If the exhaust air is to be conveyed into a smoke or exhaust gas flue, you must obtain the consent of the heating engineer responsible.

⚠ WARNING – Risk of suffocation!

Children may put packaging material over their heads or wrap themselves up in it and suffocate.

- ▶ Keep packaging material away from children.
- ▶ Do not let children play with packaging material.

⚠ WARNING – Risk of fire!

The grease deposits in the grease filter may catch fire.

- ▶ Never work with naked flames close to the appliance (e.g. flambéing).
- ▶ Do not install the appliance near a heat-producing appliance for solid fuel (e.g. wood or coal) unless a closed, non-removable cover is present. There must be no flying sparks.
- ▶ The specified safety clearances must be complied with in order to prevent a build-up of heat.
- ▶ Observe the specifications for your cooking appliances. If the installation instructions for the cooking appliances specify a different clearance, the larger of the two must always be provided for. If gas hobs and electric hobs are operated together, the largest specified clearance applies.

⚠ WARNING – Risk of injury!

Components inside the appliance may have sharp edges.

- ▶ Wear protective gloves.

Changes to the electrical or mechanical assembly are dangerous and may lead to malfunctions.

- ▶ Do not make any changes to the electrical or mechanical assembly.

⚠ WARNING – Risk of electric shock!

Sharp-edged components inside the appliance may damage the connecting cable.

- ▶ Do not kink or trap the connecting cable.

If the appliance or the power cord is damaged, this is dangerous.

- ▶ Never operate a damaged appliance.
- ▶ Never pull on the power cord to unplug the appliance. Always unplug the appliance at the mains.
- ▶ If the appliance or the power cord is damaged, immediately unplug the power cord or switch off the fuse in the fuse box.
- ▶ Call customer service. → *Page 10*

Improper repairs are dangerous.

- ▶ Repairs to the appliance should only be carried out by trained specialist staff.
- ▶ Only use genuine spare parts when repairing the appliance.
- ▶ If the power cord or the appliance power cable of this appliance is damaged, it must be replaced with a special power cord or special appliance power cable, which is available from the manufacturer or its Customer Service.
- ▶ If the power cord of this appliance is damaged, it must be replaced by trained specialist staff.

Incorrect installation is dangerous.

- ▶ Connect and operate the appliance only in accordance with the specifications on the rating plate.
- ▶ Connect the appliance to a power supply with alternating current only via a properly installed socket with earthing.
- ▶ The protective conductor system of the domestic electrical installation must be properly installed.
- ▶ Never equip the appliance with an external switching device, e.g. a timer or remote control.
- ▶ When the appliance is installed, the mains plug of the power cord must be freely accessible. If free access is not possible, an all-pole isolating switch must be installed in the permanent electrical installation according to the conditions of Overvoltage Category III and according to the installation regulations.
- ▶ When installing the appliance, check that the power cable is not trapped or damaged.

13.4 Instructions for the electrical connection

In order to safely connect the appliance to the electrical system, follow these instructions.

⚠ WARNING – Risk of electric shock!

It must always be possible to disconnect the appliance from the electricity supply. The appliance must only be connected to a protective contact socket that has been correctly installed.

- ▶ The mains plug for the mains power cable must be easily accessible after the appliance is installed.
- ▶ If this is not possible, an all-pole isolating switch must be integrated into the permanent electrical installation according to the conditions of overvoltage category III and according to the installation regulations.
- ▶ The permanent electrical installation must only be wired by a professional electrician. We recommend

installing a residual-current circuit breaker (RCCB) in the appliance's power supply circuit.

- The connection data can be found on the rating plate. → *Page 10*
- This appliance complies with the EC interference suppression regulations.
- The appliance corresponds to protection class 1. You should therefore only use the appliance with a protective earth connection.
- Do not connect the appliance to the power supply during installation.
- Ensure that the protection against contact is guaranteed during installation.

13.5 Information on the installation situation

- Install this appliance in a worktop.
- Ensure that the wall behind the appliance is made of non-combustible material.
- To install additional special accessory parts, observe the enclosed installation instructions.

13.6 Instructions for the exhaust air pipe

The appliance manufacturer does not provide any warranty for faults attributable to the pipeline.

- Use a short, straight exhaust air pipe with as large a pipe diameter as possible.
- Long, rough exhaust air pipes, many pipe bends or small pipe diameters reduce the suction power and increase the fan noise.
- Use an exhaust pipe that is made of non-combustible material.
- To prevent condensate from returning, fit the exhaust pipe with a 1° gradient from the appliance.

Flat ducts

Use flat ducts with an inner cross-section that corresponds to the diameter of the round pipes:

- Diameter of 150 mm corresponds to approx. 177 cm².
- Use sealing strips for different pipe diameters.
- Do not use any flat ducts with sharp bends.

Round pipes

Round pipes with an inner diameter of 150 mm.

13.7 Information about circulating-air mode

To ensure optimum performance, provide sufficient space for the escaping air to flow out via an air outlet in the plinth of the fitted unit.

To keep draughts and noise to a minimum, make the air outlet in the base panel as large as possible.

Provide a minimum air outlet cross-section of approx. 400 cm².

Make the air outlet opening by shortening the plinth or by using suitable ventilation grilles or a lamellar plinth.

13.8 General information

Follow these general instructions during the installation.

- For the installation, observe the currently valid building regulations and the regulations of the local electricity and gas suppliers.

- When discharging the exhaust air, the official and legal regulations, such as the regional building code., must be observed.
- The surfaces of the appliance are sensitive. Avoid damaging them during installation.

13.9 Installation

Installation accessories

Here, you can find an overview of the installation accessories.

Use the accessories only as specified. The manufacturer shall accept no liability if you use the accessories incorrectly.

Accessories	Order number
Connecting strip, stainless steel	VV200010
Connecting strip, black	VV200020

Ventilation moulding

If the extractor hood is operating beside a gas appliance, you must fit the ventilation moulding onto the gas appliance during cooking. The ventilation moulding improves the extraction behaviour of gas appliances. The ventilation moulding prevents small flames from being extinguished by the draught of air.

⚠ WARNING – Risk of fire!

The extractor hood may draw in the flame from gas burners.

The grease deposits in the grease filter may catch fire. Small flames may go out.

- ▶ If you are operating the extractor hood next to a gas-fired appliance, fit the ventilation moulding on the gas-fired appliance. The ventilation moulding prevents the extractor hood from drawing in flames.

Combining multiple Vario appliances

Requirement: To combine multiple appliances, you require a connection strip.

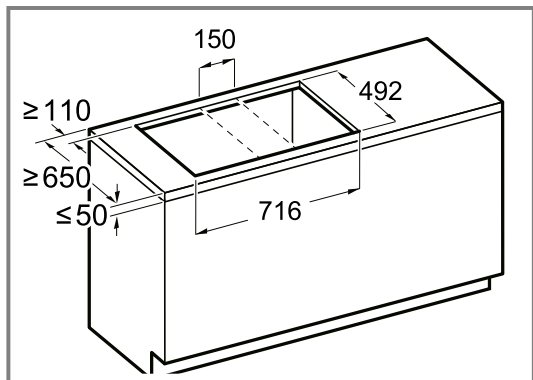
1. When making the cut-out, allow extra space for the connection strip between the appliances.
 - ▶ Observe the installation instructions for the connection strip.
2. When installing in individual cut-outs, ensure that at least 40 mm of material is left between the cut-outs.

Preparing the unit

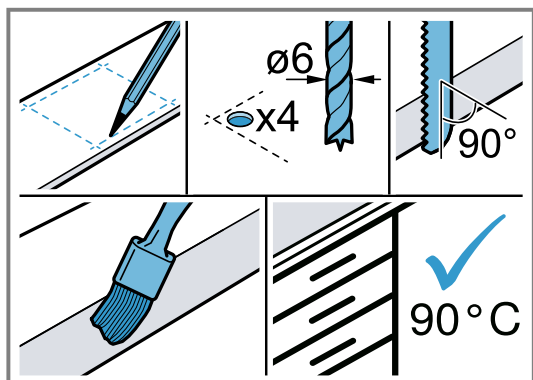
Requirement: The fitted units are heat-resistant up to 90 °C.

1. Observe the information about air recirculation. → *Page 13*
2. Make the unit cut-out for more than one appliance in accordance with the installation drawing.

3. Make the unit cut-out in the worktop for more than one appliance in accordance with the installation drawing.



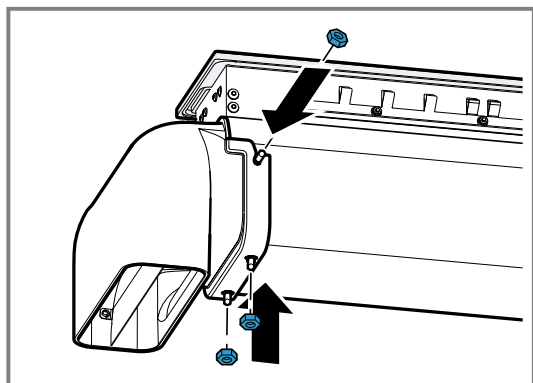
4. Drill four holes with a diameter of 6 mm.



5. Ensure that the angle of the cut surface to the worktop is 90°.
6. Ensure that the stability of the fitted unit is guaranteed after the cut-outs have been made.
7. After making the cut-outs, remove any shavings.
8. Seal the cut surfaces so that they are heat-resistant and waterproof.
9. Maintain the minimum clearance of 10 mm between the bottom of the appliance and unit parts.

Preparing the appliance

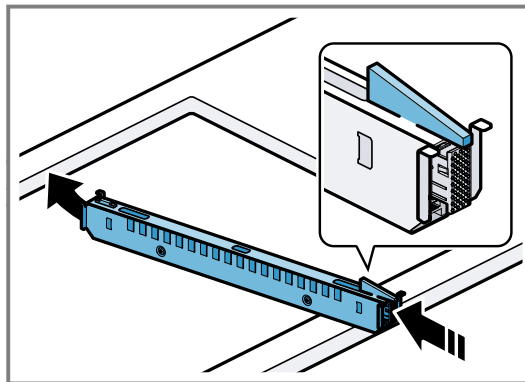
- ▶ Use 4 nuts to screw the exhaust-air elbow tightly to the appliance.



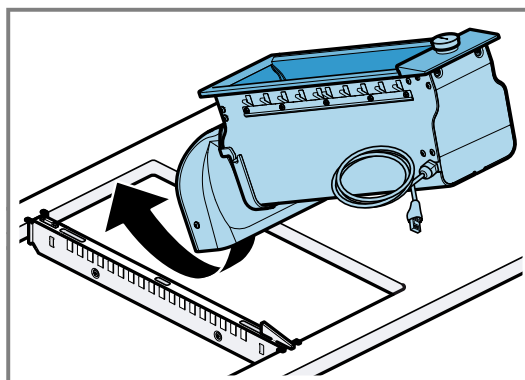
Installing the appliance

Requirement: Observe the installation sequence. First install the extractor hood in the cut-out in the worktop. Then install the other appliances.

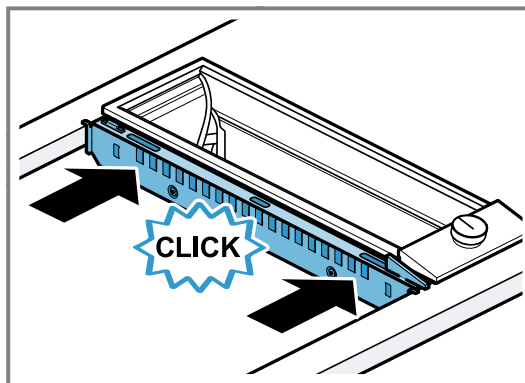
1. Insert the connection strip into the cut-out in the worktop.



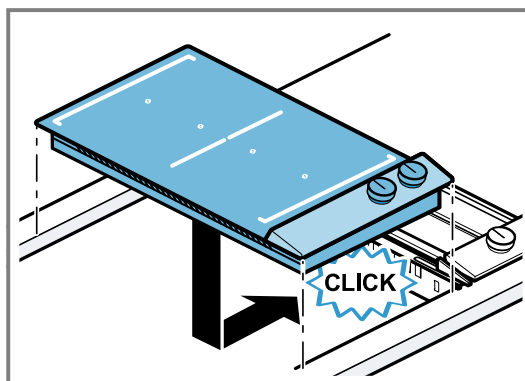
2. Insert the extractor hood into the cut-out in the worktop.



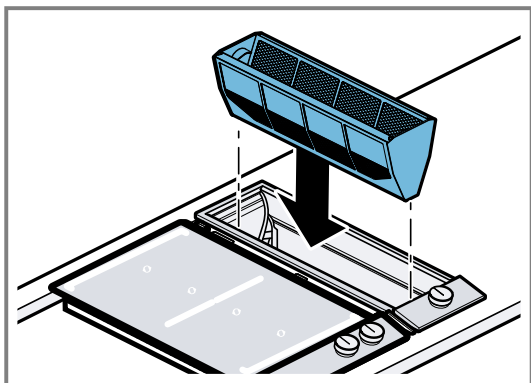
3. Push the connection strip firmly onto the appliance.
 - ▶ Ensure that the appliance's clamp springs audibly snap into the recesses in the connection strip.



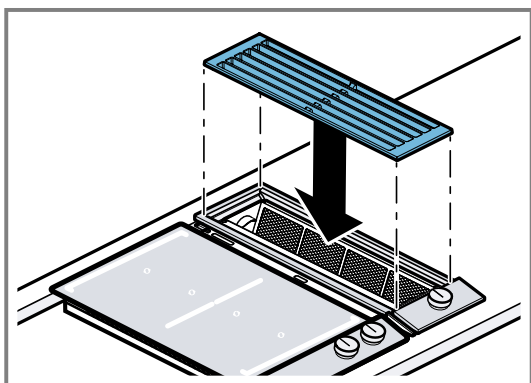
4. Install the other appliances and connection strips.



5. Insert the metal grease filter.



6. Position the ventilation grille.



Connecting the appliance

- ▶ Use the control cable to connect the external remote fan unit and the extractor hood.
- ▶ Ensure that the plug engages with a click.

Removing the appliance

ATTENTION

Tools may damage the appliance frame.

- ▶ Do not prise out the appliance from above.
1. Disconnect the appliance from the power supply.
 2. Release the connection to the air recirculation module.
 3. Push out the appliance from below.

The difference is Gaggenau

gaggenau.com

BSH Hausgeräte GmbH
Carl-Wery-Straße 34
81739 München, GERMANY
www.gaggenau.com

Valid within Great Britain:
Imported to Great Britain by
BSH Home Appliances Ltd.
Grand Union House
Old Wolverton Road
Wolverton, Milton Keynes
MK12 5PT
United Kingdom



9001856584 (060206) REG25
en