



VIKING

Door Panel Installation Guide

All Refrigerator

FDREIC7240L - FDREIC7240R - FDREIC7300L - FDREIC7300R
FDREIC7360L - FDREIC7360R

All Freezer

FDFZIC7180L - FDFZIC7180R - FDFZIC7240L - FDFZIC7240R
FDFZIC7300L - FDFZIC7300R - FDFZIC7360L - FDFZIC7360R

Bottom Mount

FDBMIC7360L - FDBMIC7360R

Wine Cellar

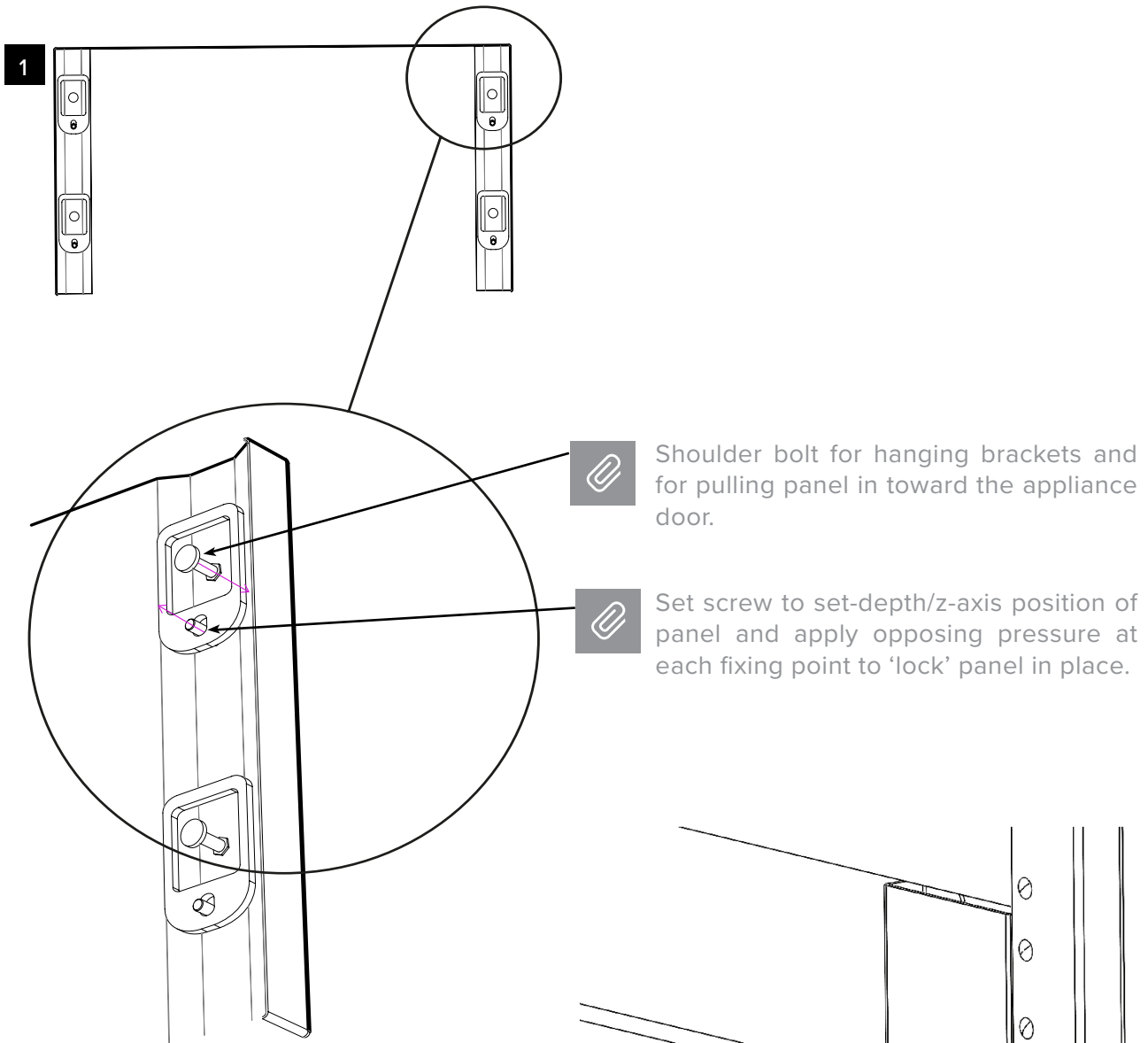
FDWCIC7240L - FDWCIC7240R

INDEX

Prepare appliance door for mounting	3
Panel dimensions all refrigerator / all freezer column models	4
Mounting panels to the door	5
Mounting panels to the drawer.....	6

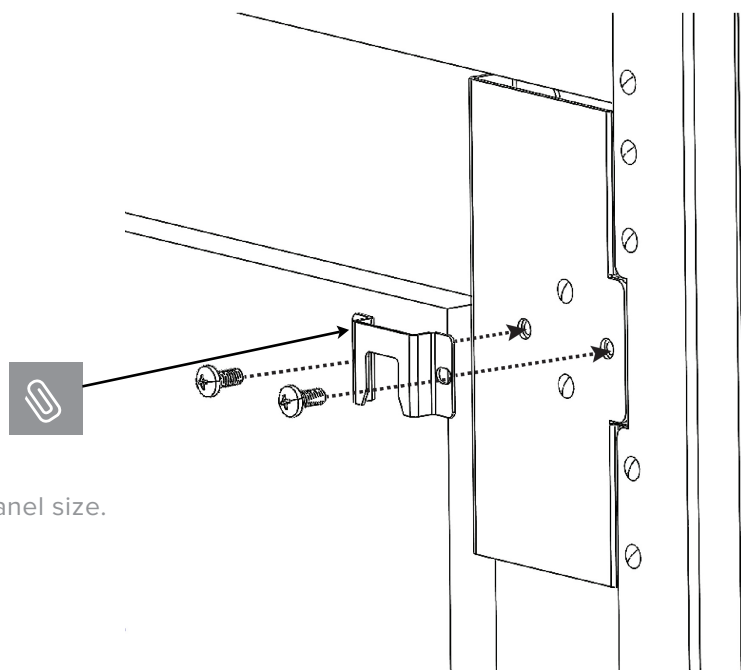
PANEL MOUNTING

► Prepare the appliance door for mounting the panels by threading the shoulder bolts into the recessed receivers and the set screws into the other hole **[1]**. Make sure the end with the Allen wrench socket is threaded into the door and not on the visible end. Thread it in far enough so that it is flush with the face of the appliance door so as to avoid interfering with hanging the panel. You will adjust these later.



Using the diagram, attach the brackets to the panel interior, ensuring openings face downward*

*Quantity of brackets varies according to panel size.



PANEL MOUNTING

5.8 Panel dimensions all refrigerator / all freezer / wine column models

Panels with thickness ranging between 3/4" (19 mm) and 1-1/8" (28 mm).

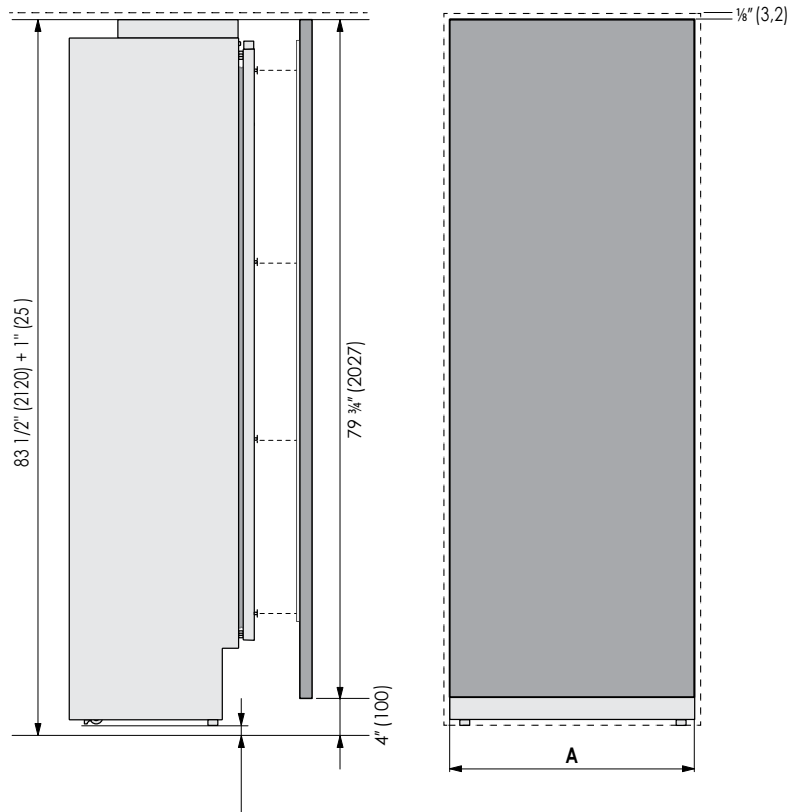
Door panels with max weight of 75 lbs. (34 kg)

Exceeding these weights could void your warranty for any service issues which can be attributed to overweight panels.

The hinging mechanism on Viking Refrigeration Product is considered to be 'Zero-clearance.' The door widths and drawer widths specified below assume that the minimum cutout width is being used, and a 1/8" (3.5-mm) reveal is desired around the panels. Adjust your panel dimensions according to your own design criteria considering your cutout width and your reveal. Minimum reveal/gap should not be less than 1/16" (1.5 mm).

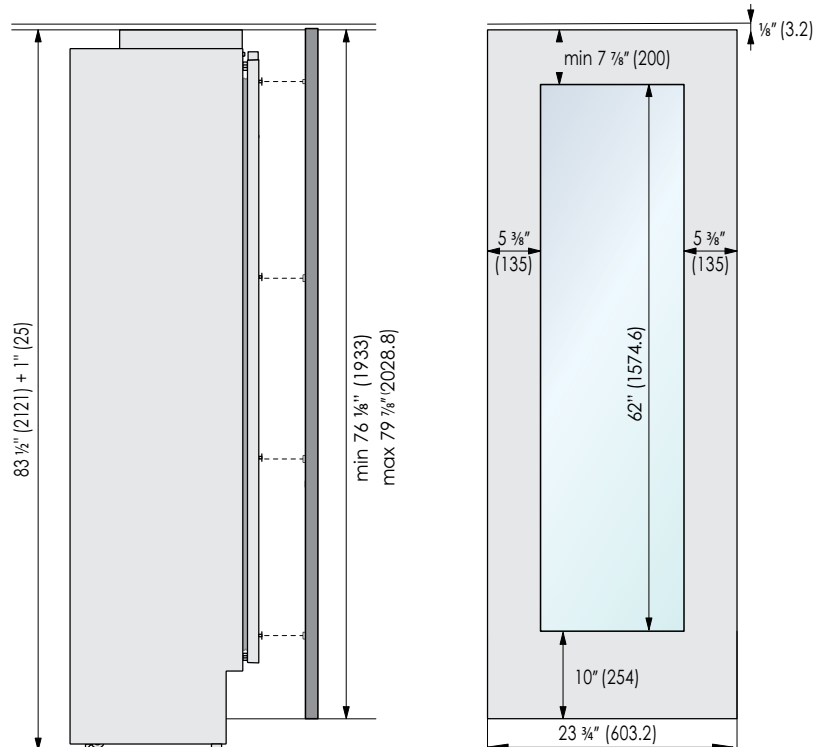
WIDTH	DOOR WIDTH A
36"	35 3/4" (908)
30"	29 3/4" (756)
24"	23 3/4" (604)
18"	17 3/4" (451)

For fridge and freezer columns



Adjustment area for the feet

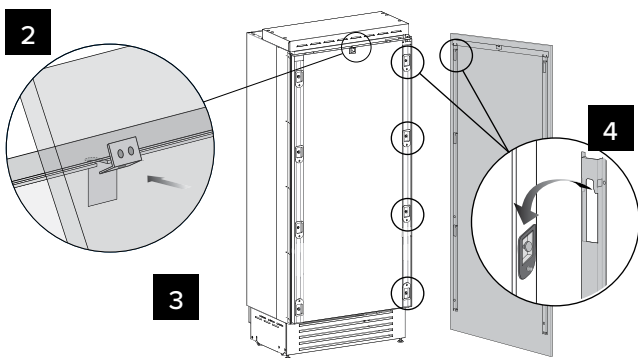
For wine columns



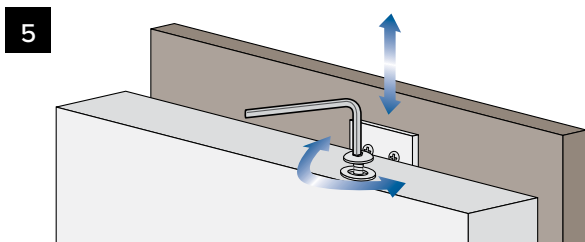
PANEL MOUNTING

5.9 Mounting panels to the door

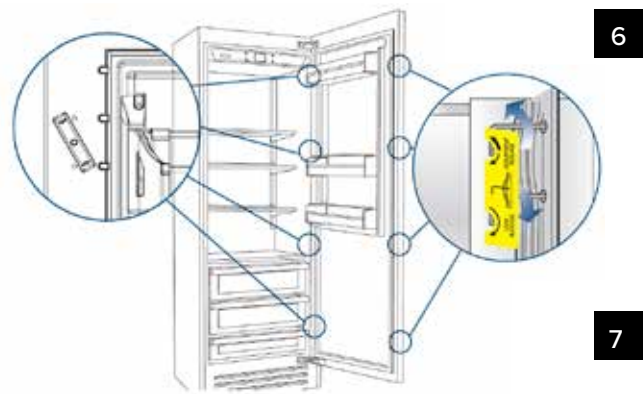
- > Hook the panel to the fixing devices starting from the top aligning brackets **[2]**.
- > At this point, alignment between the panel and adjacent cabinets can be adjusted using the alignment brackets and small brackets **[3]** and **[4]**.



- > Vertical alignment: tighten or loosen the screw in the brackets to raise or lower the panel **[5]**.



- > Depth alignment: working from the inside of the door, after lifting up the magnetic seal on the handle side and rotating the plastic covers on the hinge side, adjust the panel position in the Z-direction by adjusting the shoulder bolts and setscrews with the 5/32" (4-mm) Allen wrench in combination with each other and finally locking each mounting position in place **[6 & 7]**.



- Once the front panel has been adjusted, check that the gasket has been repositioned correctly to ensure that the door/drawer is closing correctly and to avoid operational errors in the unit.

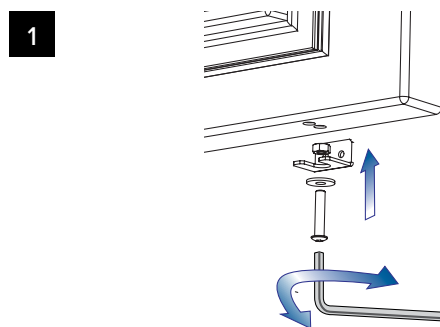
The product handle is not included in the appliance packaging but must be purchased separately. For handle installation, please refer to the instructions included in handle packaging.

5.10 Mounting panels to the drawer

- Once all brackets and handles have been applied to the panels, you can begin installing the bottom drawer.

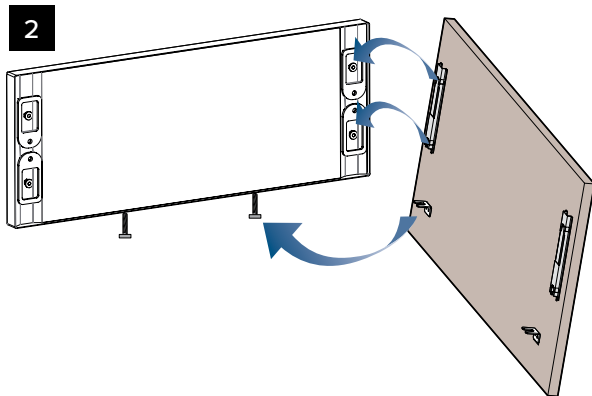
Proceed as follows:

- > Partially tighten the screw to the nut in the appliance drawer **[1]**.

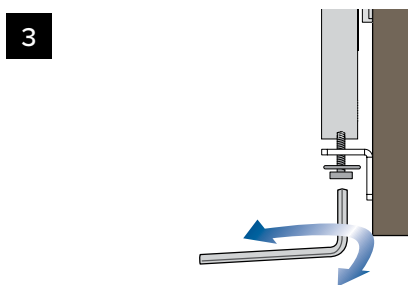


PANEL MOUNTING

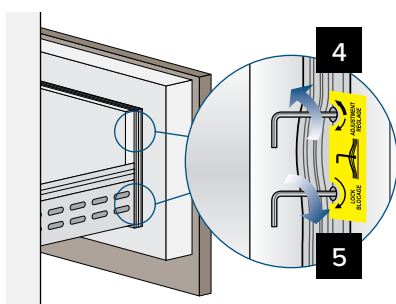
> Hook the bottom drawer panel starting from the adjustment bolts on the bottom [2].



> It is now possible to align the height of the panels to adjacent cabinets using the lower alignment bolts and brackets [3] and tightening or untightening the screws into position as needed. With the screw slightly tightened, manually move the panel sideways to align it to the other panels on the unit or other adjacent structures. Set the bottom adjustment bolts using the lock nut once you are satisfied with the height alignment.



> Depth alignment: working from the inside of the drawer, after lifting up the magnetic seal or rotating the cover plate where necessary, adjust the panel position in the Z-direction by adjusting the shoulder bolts and setscrews with the 4-mm Allen wrench in combination with each other and finally locking each mounting position in place [4 & 5].



5.11 Optional 1/8" panel reveal for multiple-unit installation

Note: when joining multiple units using overlay panels as per the instructions herein for single install, the resulting gap/reveal will be 3/16" between panels. If you would like to maintain ~1/8" of reveal between all the panel and gables, you can add 1/16" to the width dimension of the specified panel for each unit.

For example: joining a 24"+30"+36" unit:

Opening width: 24"+30"+36"=90"

Standard panel widths based on single-unit installations: 23-3/4"+29-3/4"+35-3/4"=89-1/4"

This leaves an overall space of 3/4" divided by 4 gaps = 3/16"

If you add 1/16" to each panel: 23-13/16"+29-13/16"+35-13/16"=89-7/16"

This would result in an overall space of 9/16" divided by 4 gaps = 9/64" (~1/8") between panels

Viking Range, LLC
111 Front Street
Greenwood, Mississippi 38930 USA (662) 455-1200

For product information, call 1-888-(845-4641)
or visit the our web site at vikingrange.com