



Vario 400 series flex induction cooktop VI 422

VI 422 613

Stainless steel frame.
Black glass ceramic.
Width 15" (38 cm).

Installation accessories

In combination of several Vario cooktops, connecting strips must be used. Choose respective VA 420 strip from one of the below, depending on type of installation.

VA 420 004

Invisible connection strip for combination with other Vario 400 series flush mounting.

VA 420 010

Connection strip for combination with other Vario 400 series for surface mounting.

Optional accessories

CA 051 301

Teppan Yaki plate made of multi ply material. For flex induction cooktop.

CA 050 300

Flex Pan set, 3 pcs. Non-stick coating. For flex induction cooktop.

AA 055 300

Flex Pan large Non-stick coating. For flex induction cooktop.

Part No. 17006018

Stainless steel frying sensor pan. Non-stick coating, ø 6".

Part No. 17006184

Stainless steel frying sensor pan. Non-stick coating, ø 7".

Additional connection cables for connecting the electronic control knobs (optional)

Part no. 12013604

1 ft (0.3 m) Electronic connecting cable for the control knob.

Part no. 12013606

3 3/8" ft (1 m) Electronic connecting cable for the control knob.

Part no. 12013607

5 ft (1.5 m) Electronic connecting cable for the control knob.

Combinaible with:

VL 414 712
AL 400 792 / AL 400 722
AW 442 720
AF 210 791

Good to know:

Wall installations require the hood to be as large as the cooktop(s). Island installations require the hood to be larger than the cooktop(s).

Highlights

- Free positioning of cookware inside combined cooking areas.
- Frying sensor function for temperature control in pans.
- Easy control of all functions with bi-coloured display.
- Solid stainless steel control knobs.
- Precision crafted 1/8" stainless steel frame.
- For surface-mount installation with a visible edge or for flush installation.
- Can be perfectly combined with other Vario 400 series appliances.

Cooking zones

2 flex induction cooking areas.
Small area: 7 1/2" x 9"
(2,200 W, with booster 3,600 W),
Large area: 15" x 9"
(3,300 W, with booster 3,600 W).

Operation

Control knobs with illuminated ring, cooking zone and output level markings.
Electronic power control in 17 output levels.
User friendly control with bi-coloured display (white / orange).

Features

Flex function for rectangular cooking areas.
Frying sensor function.
Booster function.
Stopwatch.
Short-term timer.
Options menu.
Power management.
Cooktop-based ventilation control when paired with VL 414 712 downdraft.

Home network integration for digital services (Home Connect) wireless via WiFi.

The use of the Home Connect functionality depends on the Home Connect services, which are not available in every country. For further information please check: home-connect.com.

Safety

Operation indicator.
Pot detection.
Digital 2 stage residual heat indicator
Safety shut-off.

Planning notes

Depending on the type of installation (surface-mounted or flush-mounted), the specific location of the cut-out and the knob positions may vary. The drawing "Installation of the control knob" must be observed if the panel is more than 1" thick (there must be a recess at the rear). If combining several Vario 400 series appliances, a connection strip VA 420 must be placed between the appliances. Depending on the type of installation, the corresponding connection strip must be provided. The weight bearing capacity and stability, in the case of thin countertops in particular, must be supported using suitable substructures. Take into account the appliance weight and additional loads.

Additional instructions for flush mounting:

Installation is possible in countertops made of stone, synthetics or solid wood.

Heat resistant and watertight sealing of the cut edges must be observed.

For a suitable heat resistant filler please consult the countertop manufacturer.

Minimum countertop thickness 3/4" (20 mm) for surface mounted installation. Minimum countertop thickness 1 3/8" (30 mm) for flush installation.

The groove must be continuous and even, so that uniform placing of the appliance on the gasket is ensured. Do not use discontinuous lining.

The joint width may vary due to size tolerances of the combinations and of the countertop cut-out.

If installing several Vario products in individual cut-outs allow for a minimum distance of 2" between the cooktops.

Operates with magnetic (induction) iron pots and pans only. For an optimal heat distribution, the use of flat bottom cookware is recommended.

Immersion depth 2 5/8" - 2 3/4" depending on type of installation.

To insure that the appliance works correctly, the cooktop must be sufficiently ventilated either from the rear or base of the cabinet.

Please see the installation instructions for further detail.

Appliance can be snapped into the countertop from above.

Appliance weight: approx. 22 lbs.

Please read additional planning notes on pages 104-109.

If installing several appliances in individual cut-outs allow for a division bar of inimum 1 3/32" (50 mm) between the individual cut-outs.

"Operates with magnetic (induction) iron pots and pans only. For an optimal heat distribution, the use of flat bottom cookware is recommended."

Appliance can be snapped into the countertop from above.

Appliance weight: approx. 22 lbs.

Please read the installation details regarding air ducting on page 143.

Rating

Rating: 3,120 W (208 / 220 V)
3,600 W (240 V).

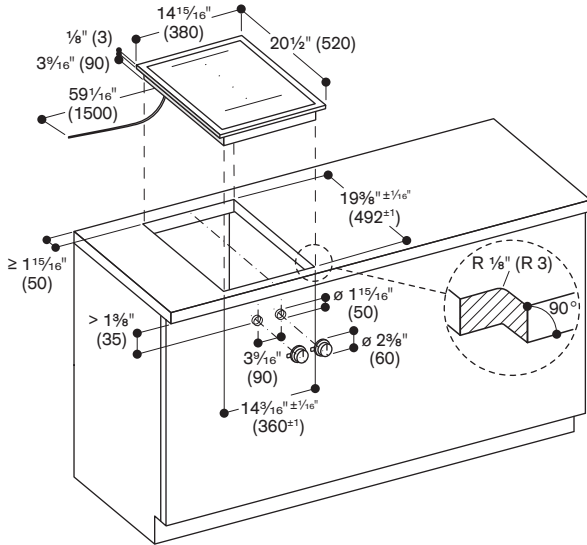
Minimum fuse protection: 15 A.

Electrical: 208 / 220-240 V / 60 Hz.

Electrical connection:

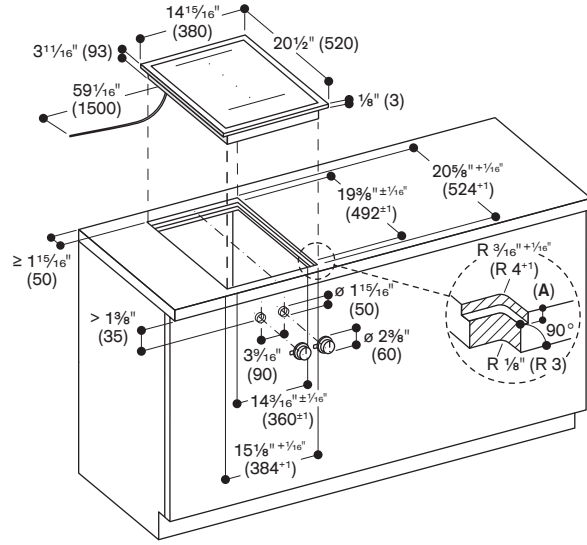
Hardwire required, 59" cable length.

Surface-mount Installation



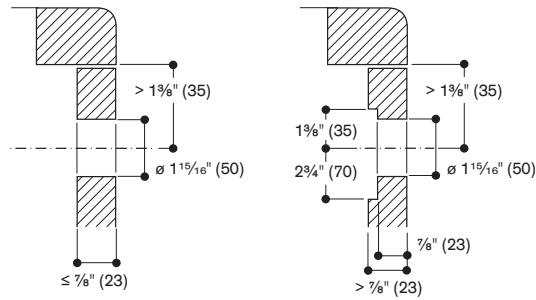
Minimum countertop thickness $\frac{3}{4}$ " (20 mm) for surface mounted installation. See separate planning notes on page 104.

Flush-mount Installation

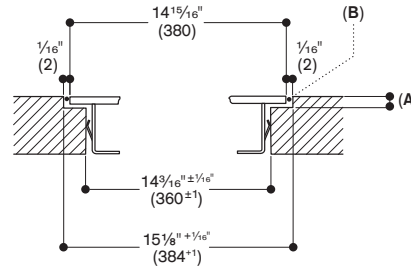


Minimum countertop thickness $1\frac{3}{8}$ " (30 mm) for flush installation. See separate planning notes on page 106.

Installation of the control knob

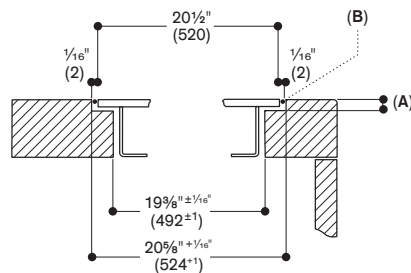


Longitudinal section



A: $\frac{1}{8}$ " (3.5 -0.5)
B: Fill with silicone

Cross-section



A: $\frac{1}{8}$ " (3.5-0.5)
B: Fill with silicone