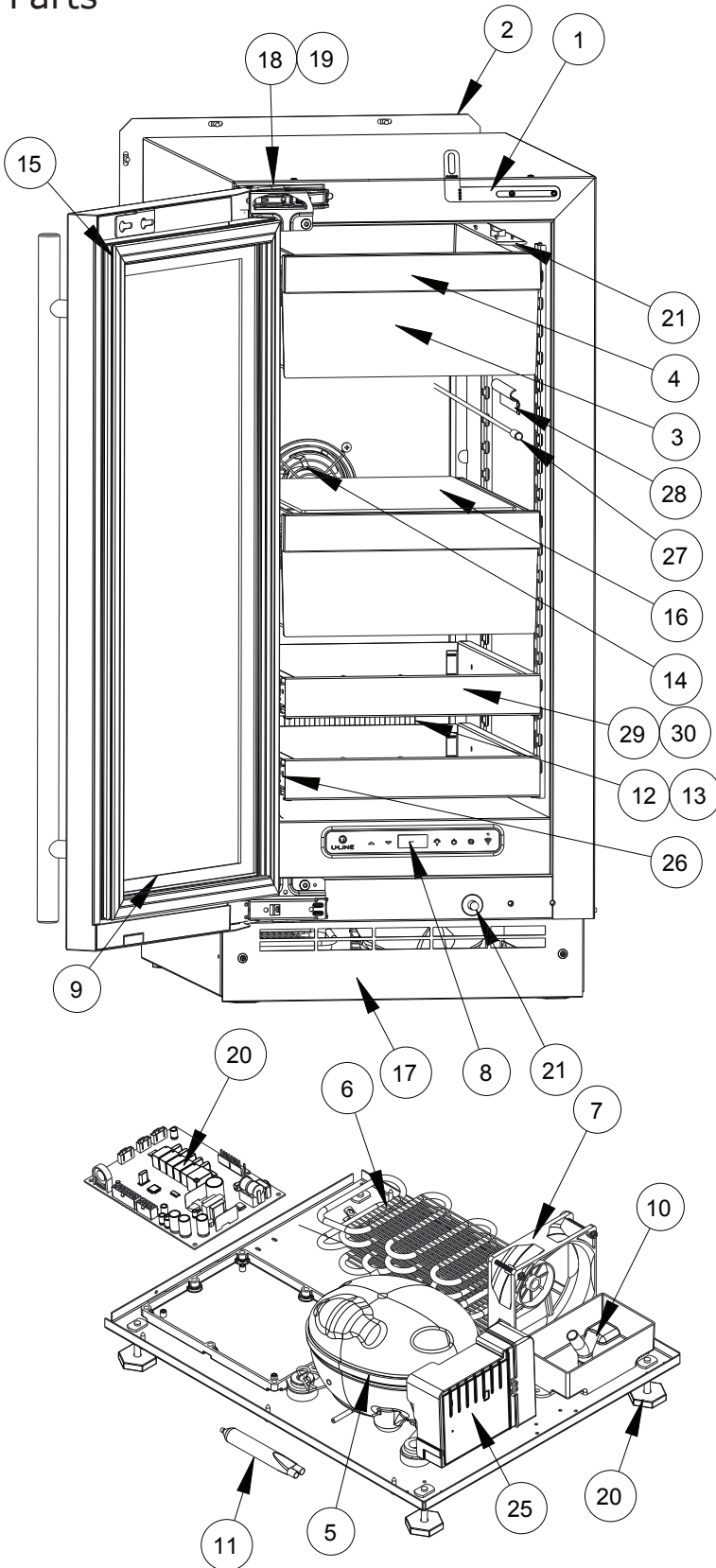


USER GUIDE

Parts



| UHBV515-SG51A | | |
|----------------------|------------------------|-------------|
| 1 | ANTI-TIP BRACKET | 80-55449-00 |
| 2 | BACK PANEL | 80-55450-00 |
| 3 | BIN, STORAGE | 80-55463-00 |
| 4 | BIN FRONT | 80-55451-00 |
| 5 | COMPRESSOR | 80-55452-00 |
| 6 | CONDENSER ASSEMBLY | 80-55453-00 |
| 7 | CONDENSER FAN MOTOR | 80-54014-00 |
| 8 | DISPLAY MODULE | 80-55429-00 |
| 9 | DOOR ASSEMBLY | 80-55470-00 |
| 10 | DRAIN PAN | 80-54217-00 |
| 11 | DRIER | 80-54055-00 |
| 12 | EVAPORATOR ASSEMBLY | 80-55458-00 |
| 13 | EVAPORATOR COVER | 80-55456-00 |
| 14 | EVAPORATOR FAN W/COVER | 80-55457-00 |
| 15 | GASKET, DOOR | 80-55459-00 |
| 16 | GLASS SHELF | 80-55460-00 |
| 17 | GRILLE | 80-55461-00 |
| 18 | HINGE ASSEMBLY | 80-55374-00 |
| 19 | HINGE COVER (2) | 80-54001-00 |
| 20 | LEG LEVELERS (4) | 80-54019-00 |
| 21 | LED LIGHT, 2 COLOR | 80-55272-00 |
| 22 | MAIN BOARD | 80-55398-00 |
| 23 | PLUNGER SWITCH | 80-55375-00 |
| 24 | POWER CORD* | 80-55462-00 |
| 25 | SERIAL INVERTER, 115V | 80-55570-00 |
| 26 | SLIDE ASSEMBLY | 80-55509-00 |
| 27 | THERMISTOR | 80-54006-00 |
| 28 | THERMISTOR COVER | 80-55464-00 |
| 29 | WINE RACK | 80-55465-00 |
| 30 | WINE RACK FRONT | 80-55500-00 |
| 31 | WIRE HARNESS, BOARD* | 80-55466-00 |

*Not Pictured