



5 SERIES BUILT-IN 27"W. PREMIERE ELECTRIC OVENS

Viking 5 Series – VSOE/VDOE

FEATURES

- *Patented Vari-Speed Dual Flow Convection System™* has the largest fan in the industry; the 8-1/2" two-speed fan works bidirectionally for maximum airflow and excellent cooking results
- Concealed 10-pass dual bake element makes the oven cavity easy to clean while providing precise temperatures
- *Rapid Ready™ preheat* provides one of the fastest preheat times, so your oven is ready to begin cooking when you are
- One of the largest oven cavities in the industry makes room for all your cooking needs
- Each oven has six porcelain-coated rack positions and comes standard with three oven racks
 - Premiere models have two *TruGlide™ racks* in each single oven and three in the double oven (two in upper oven)
- High-performance cooking modes include *TruConvec™ convection cooking*, convection roast, convection bake, convection broil, conventional bake, and three-level conventional broil
 - Double ovens have high-performance convection modes in both ovens
- 10-pass broiler with heat reflector directs heat directly into food for quicker results
- Meat probe offers perfect baking/roasting of fine meats (upper oven only of double ovens)
- Three halogen lights offer better visibility
- Set the oven to begin cooking up to 24 hours later and shut off when cooking time is complete with the Timed Bake feature
- Self-clean feature on all ovens



EASY OPERATION AND CLEANUP

- *BlackChrome™ Knobs* ship standard
- Large window opening
- Self-clean oven setting with indicator light
- Heavy-duty oven door handle
- High-density insulation contains heat within the oven cavity for maximum energy savings and performance, even during high-temperature self-cleaning
- Concealed 10-pass dual bake element makes for easy clean up of the oven cavity

MODEL NUMBERS

- VSOE527 – Premiere Electric 27"W. Single Oven
- VDOE527 – Premiere Electric 27"W. Double Oven

COLOR FINISHES

- Stainless Steel (SS)
- Available in 18 Exclusive Color Finishes: Antique Bronze (AN), Blush (BH), Cast Black (CS), Daffodil (DA), Damascus Gray (DG), Eucalyptus (EU), Golden Hour (GH), Ivy (IV), Martini (MA), Nantucket (NA), November Sky (NS), Onyx (ON), Pure White (PW), Slate Blue (SB), Spiced Cider (SC), Splash (SP), Squall (SQ), and Valentine (VA)



WARRANTY

- 2-year full – complete product
- 90-day full – cosmetic parts such as glass, painted items and decorative items
- 5-year limited – electric heating elements



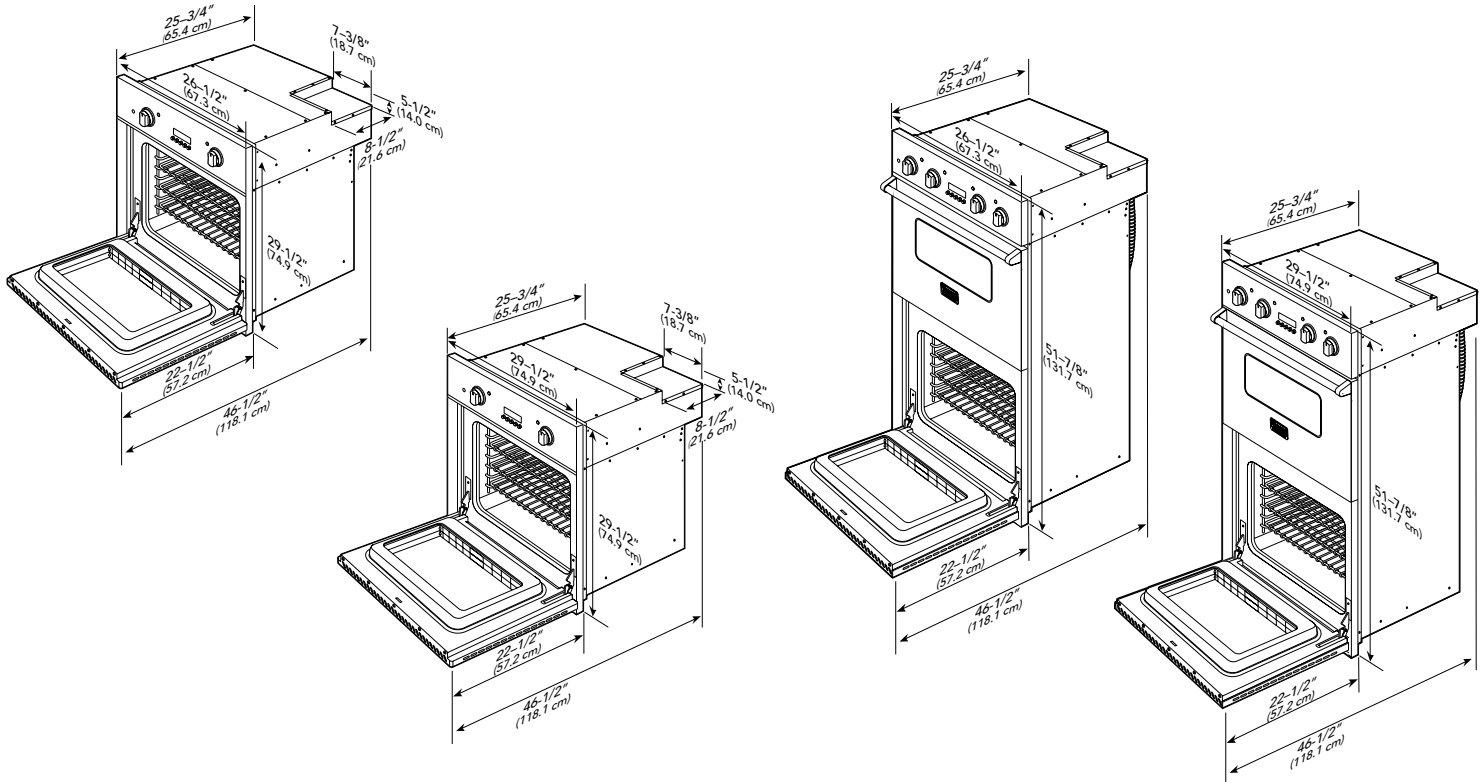
5 SERIES BUILT-IN 27"W. PREMIERE ELECTRIC OVENS

Viking 5 Series – VSOE/VDOE

ELECTRIC 27" WIDE ELECTRIC OVENS		
DESCRIPTION	VSOE527	VDOE527
Overall Width	26-1/2" (67.3 cm)	
Overall Height	29-1/2" (74.9 cm)	51-7/8" (131.7 cm)
Overall Depth from Rear	To control panel – 25-3/4" (65.4 cm) With door open – 46-1/2" (118.1 cm)	
Cutout Width	25-1/2" (64.8 cm)	
Cutout Height	Standard – 28-1/8" (71.4 cm)	Standard – 50-5/8" (128.6 cm)
Cutout Depth	Standard – 24" (60.9 cm)	
Electrical Requirements	4-wire ground, 240VAC, 60 Hz, 30-amp electrical connection. Unit equipped with No. 10 ground wire in conduit. Should be fused separately.	4-wire ground, 240VAC, 60 Hz, 50-amp electrical connection. Unit equipped with No. 10 ground wire in conduit. Should be fused separately.
Maximum Amp Usage	240VAC – 24.0 amps 208VAC – 20.8 amps	240VAC – 40.0 amps 208VAC – 34.7 amps
Interior Dimensions	Width – 22-5/16" (56.7 cm) Height – 16-1/2" (41.9 cm) Depth – 16-13/16" (42.7 cm) Three racks, six rack positions	Applies to each oven Width – 22-5/16" (56.7 cm) Height – 16-1/2" (41.9 cm) Depth – 16-13/16" (42.7 cm) Three racks, six rack positions
Oven Volume	Overall oven capacity – 4.1 cu. ft. AHAM Standard* – 3.6 cu. ft.	Both ovens: Overall oven capacity – 4.1 cu. ft. AHAM Standard* – 3.6 cu. ft.
Approximate Shipping Weight	237 lb. (118 kg)	360 lbs. (163 kg)

Please do not prepare installation from brochure data only. See installation instructions for important clearance/installation information.
*The AHAM Standard for measuring oven capacity subtracts the door plug and convection baffle dimension from the total oven volume.

Do NOT install single/double wall ovens side by side or stacked with one on top of the other.



VIKING RANGE, LLC 111 FRONT STREET GREENWOOD, MISSISSIPPI 38930 USA

For detailed product information, model numbers, or to request a quote call 1-888-845-4641 or visit vikingrange.com
© 2025 Viking Range, LLC All rights reserved. Specifications subject to change without notice.

