

Combination steam oven

Combination steam oven
Four à vapeur combiné
Horno a vapor combinado

GS460720 GS461720

Table of contents

1	IMPORTANT SAFETY INSTRUCTIONS	3	14	TESTING THE OPERATION	11
1.1	Safety definitions	3	15	REMOVING THE APPLIANCE	12
1.2	General information	3	16	Customer Service	12
1.3	General safety instructions	3	16.1	Model number (E-Nr.), production number (FD) and consecutive numbering (Z-Nr.)	12
1.4	Appliance handling safety	3	16.2	Rating plate location	12
1.5	Safety codes and standards	3	17	WIRING DIAGRAM	13
1.6	Electrical safety	3			
1.7	State of California Proposition 65 Warnings	4			
1.8	Transport	4			
2	BEFORE YOU BEGIN	5			
2.1	Parts included	5			
2.2	Tools and parts needed	5			
2.3	Power requirements and grounding	5			
3	REMOVING THE PACKAGING	5			
4	INSTALLATION REQUIREMENTS	5			
4.1	Appliance dimensions	5			
4.2	Appliance weight	5			
4.3	Location requirements	5			
5	PRIOR TO INSTALLATION	6			
5.1	Preparing the cabinet	6			
5.2	Moving the appliance	6			
6	ADJUSTABLE INTERMEDIATE FLOORS WITH BRACKETS	6			
6.1	Installing the appliance above intermediate floors with brackets	6			
7	ELECTRICAL CONNECTION	7			
7.1	Electrical requirements	7			
7.2	Routing the electrical conduit cable	7			
7.3	Installing a three-wire connection	7			
7.4	Installing a four-wire connection	7			
8	INSTALLING THE APPLIANCE	8			
9	ALIGNING THE APPLIANCE DOOR	10			
9.1	Correcting the appliance door height	10			
9.2	Changing the door opening angle	10			
10	COMBINING THE APPLIANCE WITH AN OVEN	11			
11	COMBINING THE APPLIANCE WITH A FULLY AUTOMATIC COFFEE MACHINE	11			
12	COMBINING THE APPLIANCE WITH A WARMING DRAWER	11			
13	COMBINING THE APPLIANCE WITH A MICROWAVE	11			



IMPORTANT SAFETY INSTRUCTIONS

READ AND SAVE THESE INSTRUCTIONS

Read all of the instructions carefully before using the appliance. In order to reduce the risk of fire, electric shocks and personal injuries when using the appliance, follow the basic safety precautions, including the following safety instructions.

1.1 Safety definitions

Here you can find explanations of the safety signal words used in this manual.

WARNING

This indicates that death or serious injuries may occur as a result of non-observance of this warning.

CAUTION

This indicates that minor or moderate injuries may occur as a result of non-observance of this warning.

NOTICE

This indicates that damage to the appliance or property may occur as a result of non-compliance with this advisory.

Note: This alerts you to important information.

1.2 General information

Here you can find general information about this manual.

- Please read this manual carefully.
- Observe the safety instructions and warnings.
- Keep the manual and the product information in a safe place for future reference or for the next owner.
- Check the appliance for damage after unpacking it. Do not connect the appliance if it has been damaged in transit.

This appliance is intended for use up to a maximum height of 13,100 feet (4000 meters) above sea level.

1.3 General safety instructions

IMPORTANT: SAVE THESE INSTRUCTIONS FOR THE LOCAL ELECTRICAL INSPECTOR'S USE.

INSTALLER: LEAVE THESE INSTALLATION INSTRUCTIONS WITH THE UNIT FOR THE OWNER.

OWNER: PLEASE RETAIN THESE INSTRUCTIONS FOR FUTURE REFERENCE.

INSTALLER: LEAVE THESE INSTRUCTIONS WITH THE APPLIANCE AFTER INSTALLATION IS COMPLETE.

Examine the appliance after unpacking it. In the event of transport damage, do not plug it in.

WARNING

If the information in this manual is not followed exactly, fire or shock may result causing property damage or personal injury.

Do not repair, replace or remove any part of the appliance unless specifically recommended in the manuals. Improper installation, service or maintenance can cause injury or property damage.

- ▶ Refer to this manual for guidance.
- ▶ All other servicing should be done by an authorized service provider.

When installing a cooktop over a single oven, be sure to follow the instructions in both the oven's and the cooktop's installation manuals.

Never modify or alter the construction of the appliance.

- ▶ For example, do not remove leveling legs, panels, wire covers or anti-tip brackets/screws.

WARNING

Remove all tape and packaging before using the appliance.

- ▶ Destroy the packaging after unpacking the appliance.
- ▶ Dispose of packaging in an environmentally responsible manner.
- ▶ Never allow children to play with packaging material.

Before starting up the appliance, remove any packaging material and adhesive film from the oven cavity and the door.

1.4 Appliance handling safety

WARNING



Unit is heavy and requires at least two people or proper equipment to move.

- ▶ Do not lift the appliance by the door or front panel.

WARNING



Hidden surfaces may have sharp edges.

- ▶ Use caution when reaching behind or under appliance.

1.5 Safety codes and standards

This appliance complies with the latest version of one or more of the following standards:

- UL 858 - Household Electric Ranges
- CAN/CSA-C22.2 No. 60335-1 - Safety of Household and Similar Electrical Appliances - General
- CAN/CSA-E60335-2-6, The Standard for the Safety of Household and similar electrical appliances.

It is the responsibility of the owner and the installer to determine if additional requirements and/or standards apply to specific installations.

1.6 Electrical safety

- **Installer** - show the owner the location of the circuit breaker or fuse. Mark it for easy reference.
- If required by the National Electrical Code (or Canadian Electrical Code), this appliance must be installed on a separate branch circuit.
- Local codes vary. The installer is responsible for ensuring that the installation, connections, and grounding comply with all applicable codes. The manufacturer is not responsible for any issues associated with the improper installation of this product.
- Refer to the rating plate for more information.
→ "Rating plate location", Page 12



IMPORTANT SAFETY INSTRUCTIONS

READ AND SAVE THESE INSTRUCTIONS

WARNING

Before installing, turn power OFF at the service panel.

- ▶ Lock service panel to prevent power from being turned ON accidentally.

WARNING



ELECTRIC SHOCK HAZARD

- ▶ Disconnect power before installing or servicing. Before turning power ON, be sure that all controls are in the OFF position.
- ▶ DO NOT remove connections.
- ▶ DO NOT use an extension cord.
- ▶ Improper grounding can result in a risk of electric shock.
- ▶ Failure to follow these instructions can result in death, fire, or electrical shock.

WARNING

It must always be possible to disconnect the appliance from the electricity supply. The appliance must only be connected to a grounded outlet that has been correctly installed.

- ▶ An all-pole isolating switch must be integrated into the permanent electrical installation according to the conditions of overvoltage category III and according to the installation regulations.
- ▶ The permanent electrical installation must only be wired by a professional electrician. We recommend installing a residual-current circuit breaker (RCCB) in the appliance's power supply circuit.

WARNING

GROUNDING INSTRUCTIONS

- ▶ This appliance must be grounded.
- ▶ Grounding reduces the risk of electric shock by providing a safe pathway for electric current in the event of a short circuit.
- ▶ Be sure your appliance is properly installed and grounded by a qualified technician.
- ▶ Installation, electrical connections and grounding must comply with all applicable codes.

Do not use an extension cord. If the power supply cord is too short, have a qualified electrician install an outlet near the appliance.

Before you turn on power supply, make sure all controls are in the OFF position.

1.7 State of California Proposition 65 Warnings

This product may contain a chemical known to the State of California, which can cause cancer or reproductive harm. Therefore, the packaging of your product may bear the following label as required by California:

STATE OF CALIFORNIA PROPOSITION 65 WARNING:



WARNING

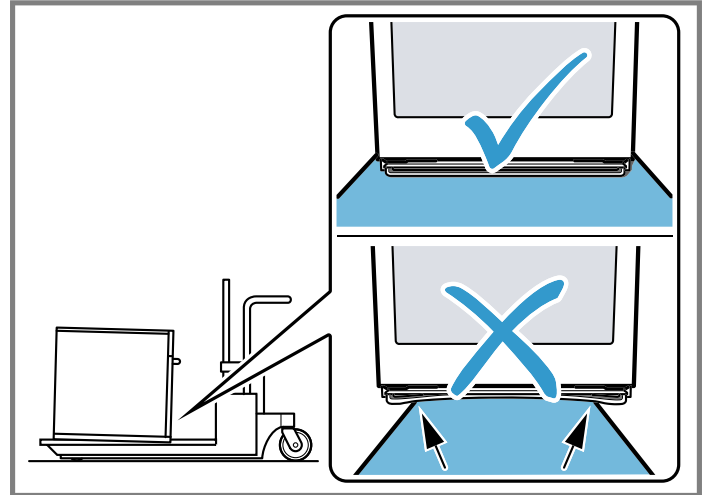
Cancer and Reproductive Harm - www.P65Warnings.ca.gov

1.8 Transport

Follow these precautions when transporting your appliance.

NOTICE

To avoid damaging the appliance, use the transport method shown in the following picture.



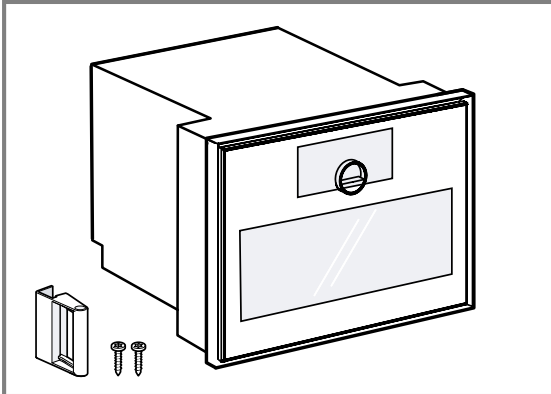
2 Before you begin

Read these instructions before you begin to install your appliance.

This Installation Instructions covers several models. All graphics are representative. Your appliance may vary in appearance and features.

2.1 Parts included

After unpacking all the parts, check for any damage in transit and for completeness of delivery.



2.2 Tools and parts needed

Prepare these tools and accessories before you start to install your appliance.

- Pencil
- Measuring tape
- Jigsaw
- Level
- T20 star bit screwdriver

2.3 Power requirements and grounding

The outlet must be properly grounded in accordance with all applicable codes.

Outlet area

Ensure that the outlet is located outside the cabinet opening.

3 Removing the packaging

NOTICE

To prevent damage to your floor keep the unit in its packaging base until ready to be placed in the cabinet opening. Do not slide the unit across the flooring.

1. Cut the straps on the outside of the box.
2. Remove the cardboard box.

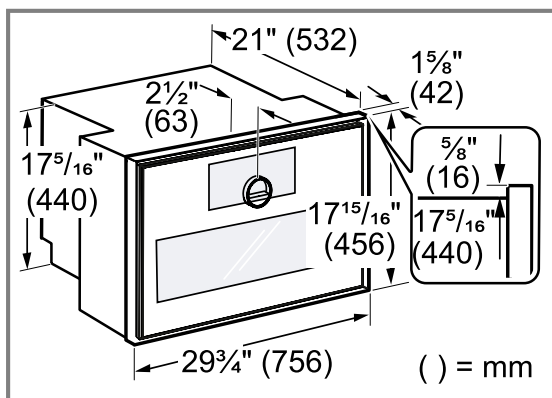
3. Remove all top and side cardboard and Styrofoam braces.
4. Place the oven in front of the cabinet where it is to be installed.

Note: The packaging brackets remain in the packaging base.

4 Installation requirements

Read these instructions to prepare the installation space for your appliance.

4.1 Appliance dimensions



4.2 Appliance weight

The cabinet base must support the weight of your appliance as stated in this table.

Model	Weight
GS460720	113 lbs (51 kg)
GS461720	

4.3 Location requirements

- The cabinet into which the appliance is built in must be heat-resistant up to 195°F (90°C), adjacent cabinet fronts up to 160°F (70°C).
- The door hinge side cannot be changed.
- The distance from the cabinet front edge to the door panel front is 1 5/8" (42 mm).
- When planning a corner solution, consider a door opening angle of at least 97°.
- Note the overhang for opening drawers next to the appliance.

- Do not install any other electrical appliance in the cabinet above this appliance.
- Do not install a sink above this appliance.
- When installing above a fully automatic coffee machine, use the intermediate floor or the metal bracket. You can obtain the intermediate floor and the metal bracket from Customer Service or the online shop.
- When installing two appliances above each other directly beside a fully automatic coffee machine, use

the intermediate floor or the metal bracket between the four appliances.

- Only install the appliance high enough that the customer can remove the accessories effortlessly.
- The cabinet base must be flat and capable of supporting the weight of your appliance.
- DO NOT obstruct oven vents.

5 Prior to installation

Carry out these steps to prepare your appliance for installation.

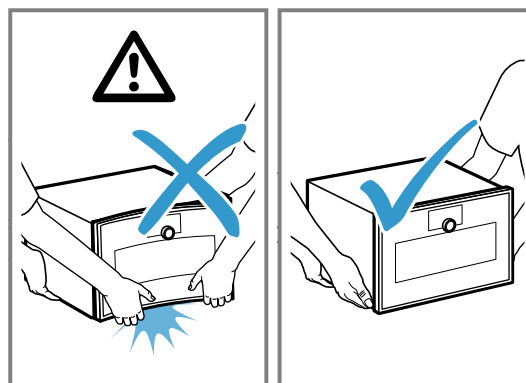
5.1 Preparing the cabinet

1. Carry out cut-out work on the cabinets and then insert the appliance.
2. Carry out cut-out work in the cabinet.
3. After making the cut-outs, remove any shavings. Shavings may impair the function of electrical components.
4. Secure freestanding cabinets to the wall using a standard bracket.
5. Do not cover the ventilation slots and air intake openings.
6. Remove the cabinet back panel behind the appliance or provide a sufficient cut-out in the intermediate floor.
7. Maintain a clearance of at least 1 $\frac{3}{4}$ " (45 mm) between the wall and the cabinet base or the rear panel of the cabinet situated above.

5.2 Moving the appliance

Carrying the appliance by the appliance frame may cause it to bend. The appliance frame cannot support the weight of the appliance.

- ▶ Do not lift the appliance using the appliance frame. Always lift the appliance at the casing.



6 Adjustable intermediate floors with brackets

An adjustable intermediate floor with brackets (GA301010) is available for your appliance.

NOTICE

If you install appliances on the intermediate floor with brackets that are too heavy, the intermediate floor may bend.

- ▶ Do not install the intermediate floor with brackets below an oven.

If you do not install the appliance correctly on false floor GA301010, the false floor may bend.

- ▶ Do not position the appliance at an angle in the recess on the intermediate floor.
- ▶ Slide the appliance into the tall cabinet parallel to the side walls of the built-in cut-out.

Note: Do not install a microwave below a fully automatic coffee machine.

Only install the steaming tray with brackets:

- Below a combi-steam oven in the same series.
- Below a microwave in the same series.
- Below a fully automatic coffee machine that you install above an oven in the same series.
- Below a fully automatic coffee machine that you install above a combi-steam oven in the same series.

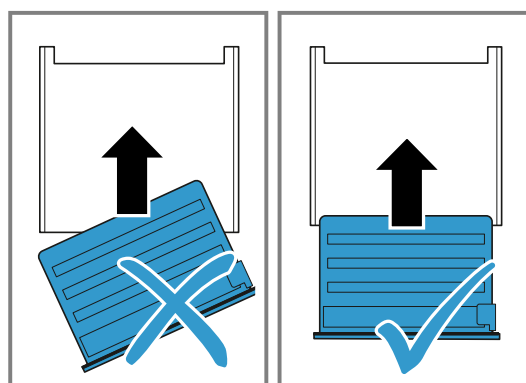
Do not install the steaming tray with brackets:

- Below an oven.

- Between two fully automatic coffee machines that you want to install vertically stacked.
- Above a combi-steam oven in the same series.

6.1 Installing the appliance above intermediate floors with brackets

- ▶ Do not position the appliance at an angle in the recess on the intermediate floor with brackets. Slide the appliance into the tall cabinet parallel to the side walls of the built-in cut-out.



7 Electrical connection

Read these instructions to safely connect your appliance to the electrical supply.

7.1 Electrical requirements

Make sure your electrical installation supports the following requirements.

⚠ WARNING

Before installing, turn power OFF at the service panel.

- ▶ Lock service panel to prevent power from being turned ON accidentally.

IMPROPER GROUNDING CAN RESULT IN A RISK OF ELECTRIC SHOCK.

- ▶ Consult a qualified electrician if the grounding instructions are not completely understood, or if doubt exists as to whether the appliance is properly grounded.
- ▶ If the power cord is too short, have a qualified electrician install an outlet near the appliance.
- ▶ DO NOT USE AN EXTENSION CORD.

This appliance must be supplied with the proper voltage and frequency and connected to an individual, properly grounded branch circuit, protected by a circuit breaker or fuse. To know the circuit breaker or fuse required by your model, see the rating plate to find the wattage consumption and refer to the ratings table to get the circuit breaker or fuse amperage.

⚠ WARNING

Local codes may vary.

- ▶ Installation, electrical connections and grounding must comply with all applicable local codes.

Electrical supply	208/240V AC, 60Hz, 3-wire
Circuit breaker	15 Amp
Conduit	48" flexible 3-wire
Electrical rating	Refer to rating plate → "Rating plate location", Page 12

- Circuit specifications: 208/240V AC, 60Hz, 15A, 3-wire, dedicated grounded circuit from panel.
- The outlet must be properly grounded in accordance with all applicable codes.
- It is the responsibility of the installer to comply with local codes. If no local codes are applicable, wire in accordance with the National Electrical Code (or Canadian Electrical Code), ANSI/NFPA 70 - latest edition.
- Minimum bend radius of the flexible conduit is 6" (152 mm).
- The electrical supply should be a 3-wire single-phase AC. Install a suitable junction box (not furnished).

7.2 Routing the electrical conduit cable

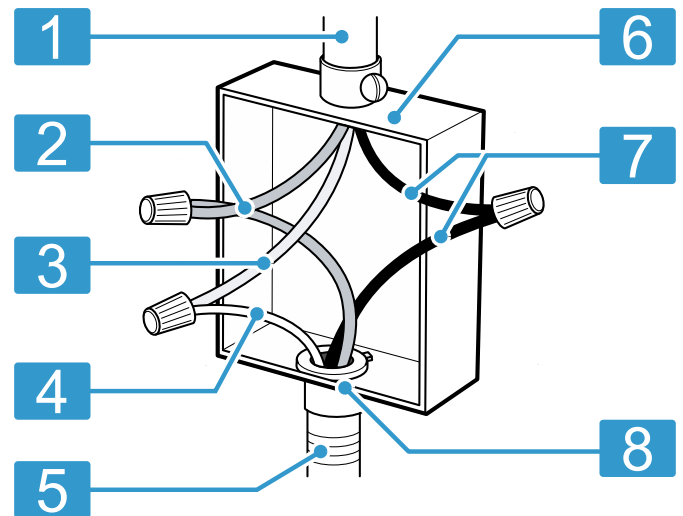
Requirements

- A hole in the cabinet has been prepared to route the electric conduit from the oven to the junction box.
- Serviceability must be maintained. Do not shorten the electric conduit cable. Route the electric conduit cable in a way to permit temporary removal of the oven.

- ▶ The electrical conduit cable swivels where it is connected at the oven. Rotate the electric conduit cable upward or downward and direct it through the prepared hole in the cabinet.

7.3 Installing a three-wire connection

1. To facilitate serviceability and to ensure the safety of the installation, the flexible conduit must not be shortened and should be routed to allow for temporary removal of the oven.



1	Cable from home power supply
2	Red wires
3	Green or bare wire from home power supply
4	Green ground wire from oven
5	3-wire flexible conduit from oven
6	UL listed or CSA approved junction box
7	Black wires
8	UL listed or CSA approved conduit connector

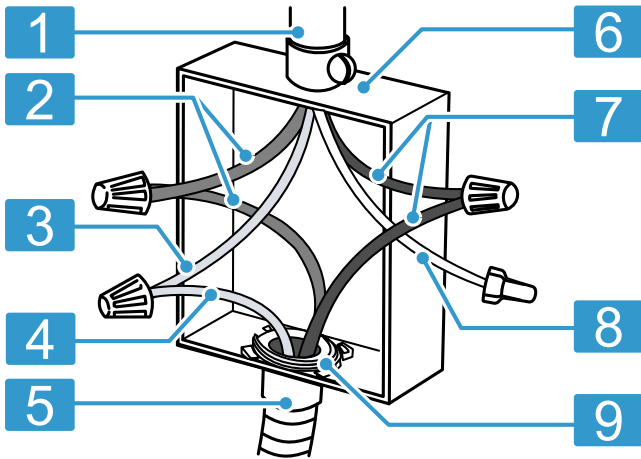
2. Connect the red wire from the oven to the red electrical supply wire (hot wire).
3. Connect the black wire from the oven to the black electrical supply wire (hot wire).
4. Connect the green ground wire from the oven to the green or bare ground electrical supply wire.

7.4 Installing a four-wire connection

Ungrounded Neutral

1. **IMPORTANT:** Use the four-wire cable from home power supply in the U.S. where local codes do not allow grounding through neutral, New Branch circuit installations (1996 NEC), mobile homes and recreational vehicles, new construction and in Canada.

- To facilitate serviceability and to ensure the safety of the installation, the flexible conduit must not be shortened and should be routed to allow for temporary removal of the oven.



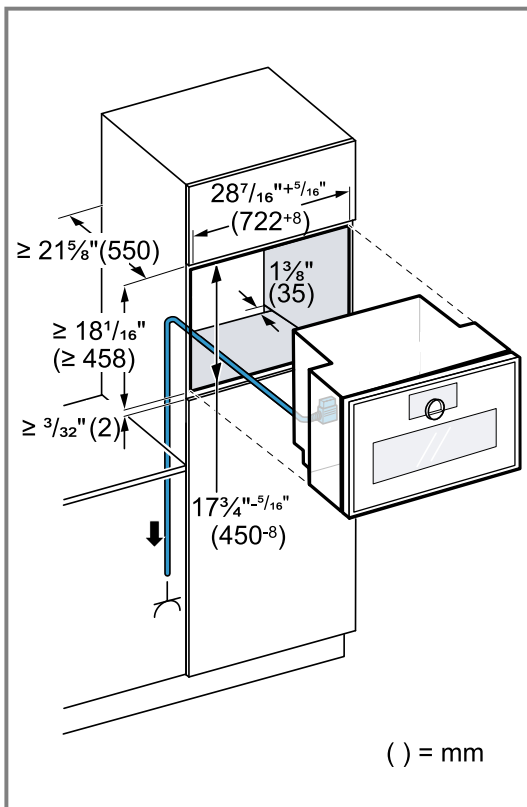
- | | |
|---|---|
| 1 | Cable from home power supply |
| 2 | Red wires |
| 3 | Green or bare wire from home power supply |
| 4 | Green ground wire from oven |
| 5 | 3-wire flexible conduit from oven |
| 6 | UL listed or CSA approved junction box |
| 7 | Black wires |
| 8 | White wire |
| 9 | UL listed or CSA approved conduit connector |

- Connect the red wire from the oven to the red electrical supply wire (hot wire).
- Connect the black wire from the oven to the black electrical supply wire (hot wire).
- Connect the green ground wire from the oven to the green or bare ground electrical supply wire.

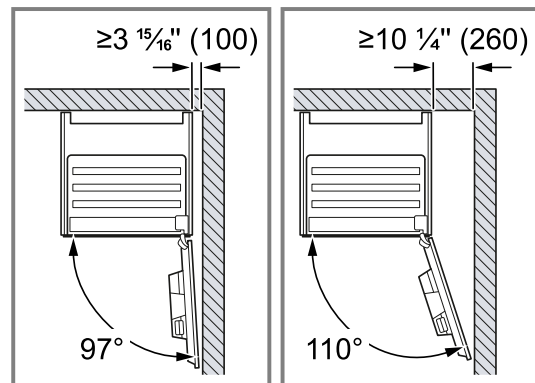
8 Installing the appliance

Note: The red label sticking out of the appliance door provides support during installation. Before connecting to the power supply, pull on the red label to open the appliance door.

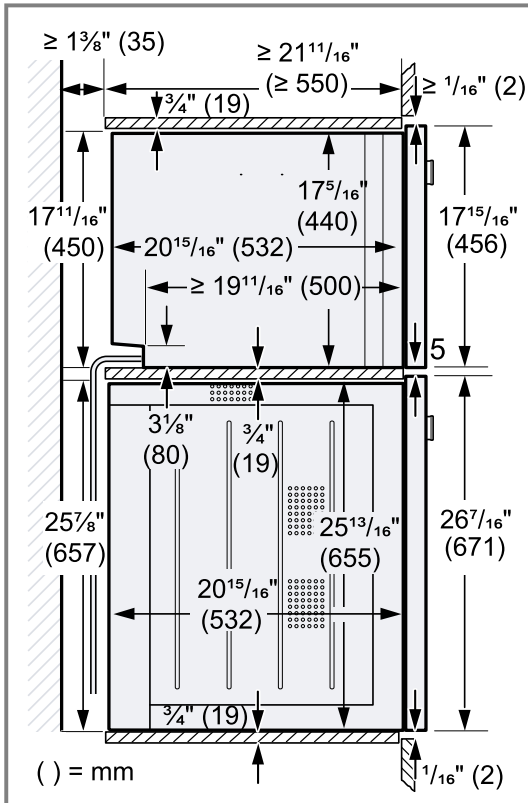
- Observe the clearances when installing in a tall cabinet.
 - To ventilate the appliance, the intermediate floor must have a ventilation cut-out.



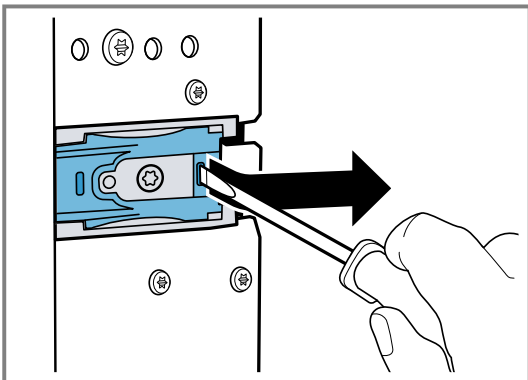
- When installing beside a wall, ensure that the potential opening angle of the appliance door is based on the minimum clearances to the wall.



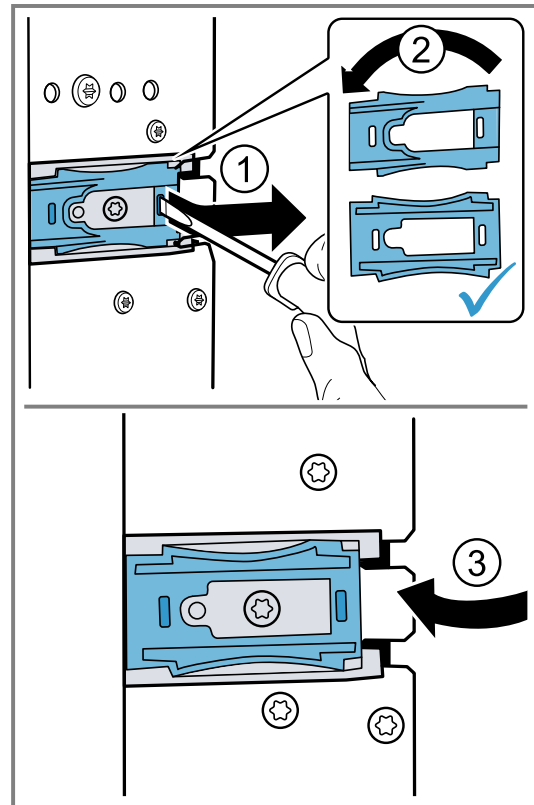
3. When installing 2 appliances on top of each other, observe the clearances.
 - ▶ Make sure that the distance between the appliance and the wall is at least $1\frac{3}{8}$ " (35 mm).



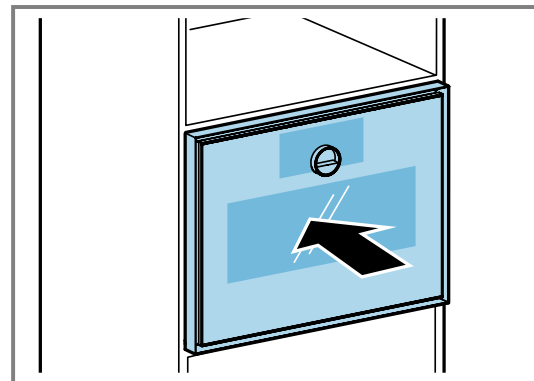
4. If there is no intermediate floor above the appliance, secure the appliance against tipping in the cabinet. Secure 2 commercially available brackets on both sides in the cabinet at a depth of $17\frac{1}{16}$ " (450 mm), and $\frac{3}{16}$ " (5 mm) above the height of the appliance.
5. Ensure that you adjust both white plastic elements on the left and right of the appliance.
6. If the thickness of the cabinet side walls is $\frac{5}{8}$ " (16 mm), do not remove the white plastic elements. The white plastic elements provide support when centering the appliance.
7. If the thickness of the cabinet side walls is $\frac{13}{16}$ " (20 mm), remove the white plastic elements.



8. If the thickness of the cabinet side walls is $\frac{3}{4}$ " (19 mm), remove the white plastic elements ①, turn them 180° ② and refit them ③.

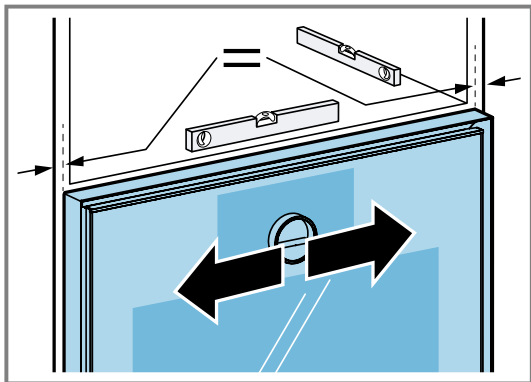


9. Push the appliance all the way into the built-in cabinet.
 - ▶ Do not kink or trap the connector cable.



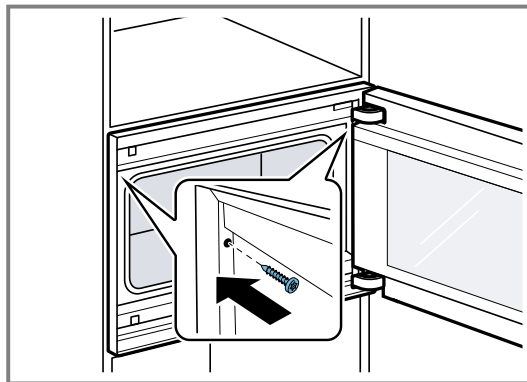
10. Center the appliance. There must be an air gap of at least $\frac{3}{16}$ " (5 mm) between the appliance and the adjacent cabinet fronts.

11. Use a spirit level to adjust the appliance so that it is perfectly level.



12. Open the appliance door.

13. Secure the appliance to the cabinet using the enclosed screws.



14. Remove the red plastic transport bolt from the upper door catch.

15. Remove any packaging material and adhesive film from the appliance cavity and the door.

9 Aligning the appliance door

The appliance door is already aligned when the appliance is delivered. Alignment is not normally required. If you install multiple appliances next to each other or vertically stacked, align the appliance door.

- Correcting the appliance door height → *Page 10*
- Changing the door opening angle → *Page 10*

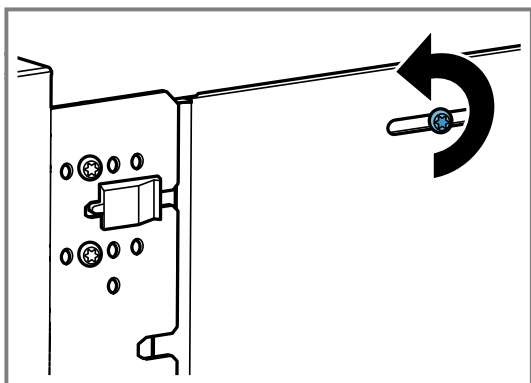
9.1 Correcting the appliance door height

1. Pull the appliance out slightly from its built-in cut-out.
2. Undo the two screws on the side of the appliance.
3. Open the appliance door.
4. Turn the hexagon head screwdriver in either direction in order to correct the appliance height.
5. Tighten the two screws on the side of the appliance.
6. Slide the appliance into the built-in cut-out.

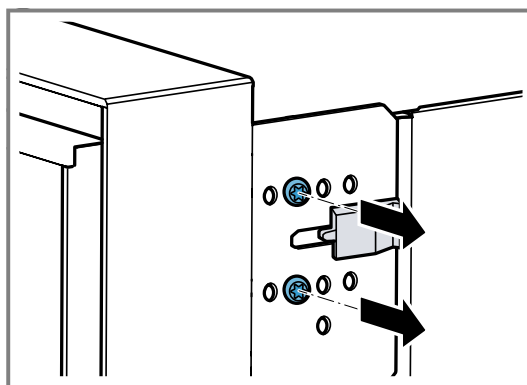
9.2 Changing the door opening angle

There are two available opening angles for the appliance door.

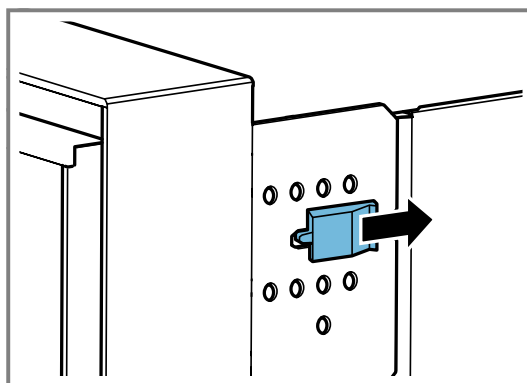
1. Pull the appliance out slightly from its built-in cut-out.
2. Slightly loosen the screw on the right-hand side at the very rear of the appliance.



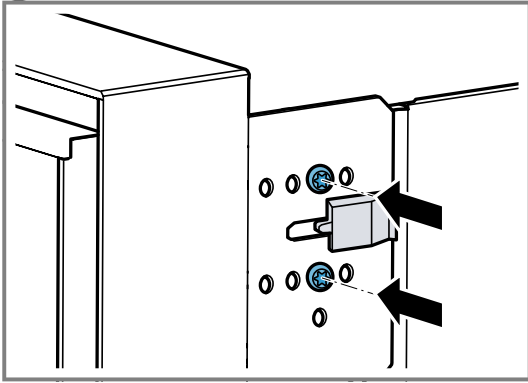
3. Remove the two screws in front of the black plastic element.



4. Slide the black plastic element to the right.



5. Screw the two screws into the holes further to the right on the appliance.



The further to the right you screw the screws into the appliance, the smaller the door opening angle. When the screws are positioned to the right, the opening angle of the appliance door is approximately 97°.

10 Combining the appliance with an oven

1. Only combine suitable appliances of the same brand and series.
2. Fit the combi-steam oven first, then the oven.
3. When installing the appliance beside an oven, ensure that the appliance doors open in the opposite direction.

11 Combining the appliance with a fully automatic coffee machine

1. Only combine suitable appliances of the same brand and series.
2. Follow the installation instructions for the fully automatic coffee machine and for the false floor.
3. When installing above a fully automatic coffee machine, use the intermediate floor or the metal bracket.
4. When installing two appliances above each other directly beside a fully automatic coffee machine, use the intermediate floor or the metal bracket between the four appliances.

You can obtain the intermediate floor and the metal bracket from after-sales service or the online shop.

12 Combining the appliance with a warming drawer

NOTICE

Sharp edges on the appliance may damage the front panel of the warming drawer.

- ▶ Do not damage the front panel of the warming drawer when sliding the appliance in.
- ▶ Before installing another appliance, open the warming drawer, place a cloth over the front panel and close the warming drawer to protect the front panel of the warming drawer from damage.


1. Only combine suitable appliances of the same brand and series.
2. Install the warming drawer first.
3. Follow the installation instructions for the warming drawer.
4. Slide the appliance, on the warming drawer, into the installation cabinet.

13 Combining the appliance with a microwave

1. Only combine suitable appliances of the same brand and series.
2. Fit the microwave first, then the combi-steam oven.

14 Testing the operation

Check if your unit is working properly after you have completed the installation steps.

1. Turn on power at the breaker.
2. Press  on the control ring.
- ✓ The display shows the GAGGENAU logo for around 30 seconds and then "Initialization".

3. Set the language.
4. Follow the information in the installation assistant on the display.
 - ▶ Press → or turn the control ring.
5. Select the settings for the "Installation height".
6. Align the display horizontally or vertically depending on the installation position or the primary user's body height.

7. Deactivate demo mode.
8. To test the oven select a heating mode. See the User Manual for detailed operating instructions.
9. Verify that the oven light comes on and the oven begins to preheat.

15 Removing the appliance

1. Disconnect the appliance from the power supply
2. Undo the fastening screws.
3. Lift the appliance slightly and pull it out completely.

16 Customer Service

With any warranty repair, we will make sure your appliance is repaired by an authorized service provider using genuine replacement parts. We use only genuine replacement parts for all repairs.

You can obtain function-relevant and storable genuine spare parts from our Customer Service for up to 15 years from the date on which your appliance was placed on the market.

For more information, please contact our Customer Service team.

Detailed information on the warranty period and terms of warranty can be found in the Statement of Limited Product Warranty, from your retailer, or on our website.

The LED light sources are available as a spare part and should only be replaced by an authorized service provider.

USA:

1-877-442-4436

www.gaggenau.com

www.gaggenau.com/us/appliances/eshop

CA:

1-877-442-4436

www.gaggenau.com

www.gaggenau.ca

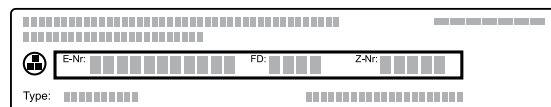
For assistance with connecting to Home Connect®, you can also view instructions here:

www.home-connect.com/us/en/help-support/set-up

16.1 Model number (E-Nr.), production number (FD) and consecutive numbering (Z-Nr.)

You can find the model number (E-Nr.), the production number (FD) and the consecutive numbering (Z-Nr.) on the appliance's rating plate.

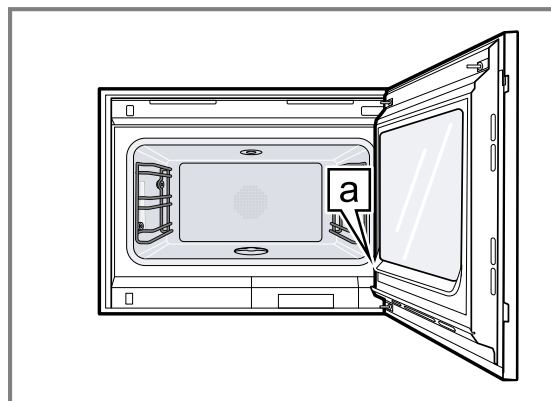
You can see the rating plate with these numbers when you open the appliance door.



Making a note of your appliance's details and the Customer Service telephone number will enable you to find them again quickly.

16.2 Rating plate location

The rating plate is located at the door frame close to the lower door hinge.



a Rating plate

17 Wiring diagram

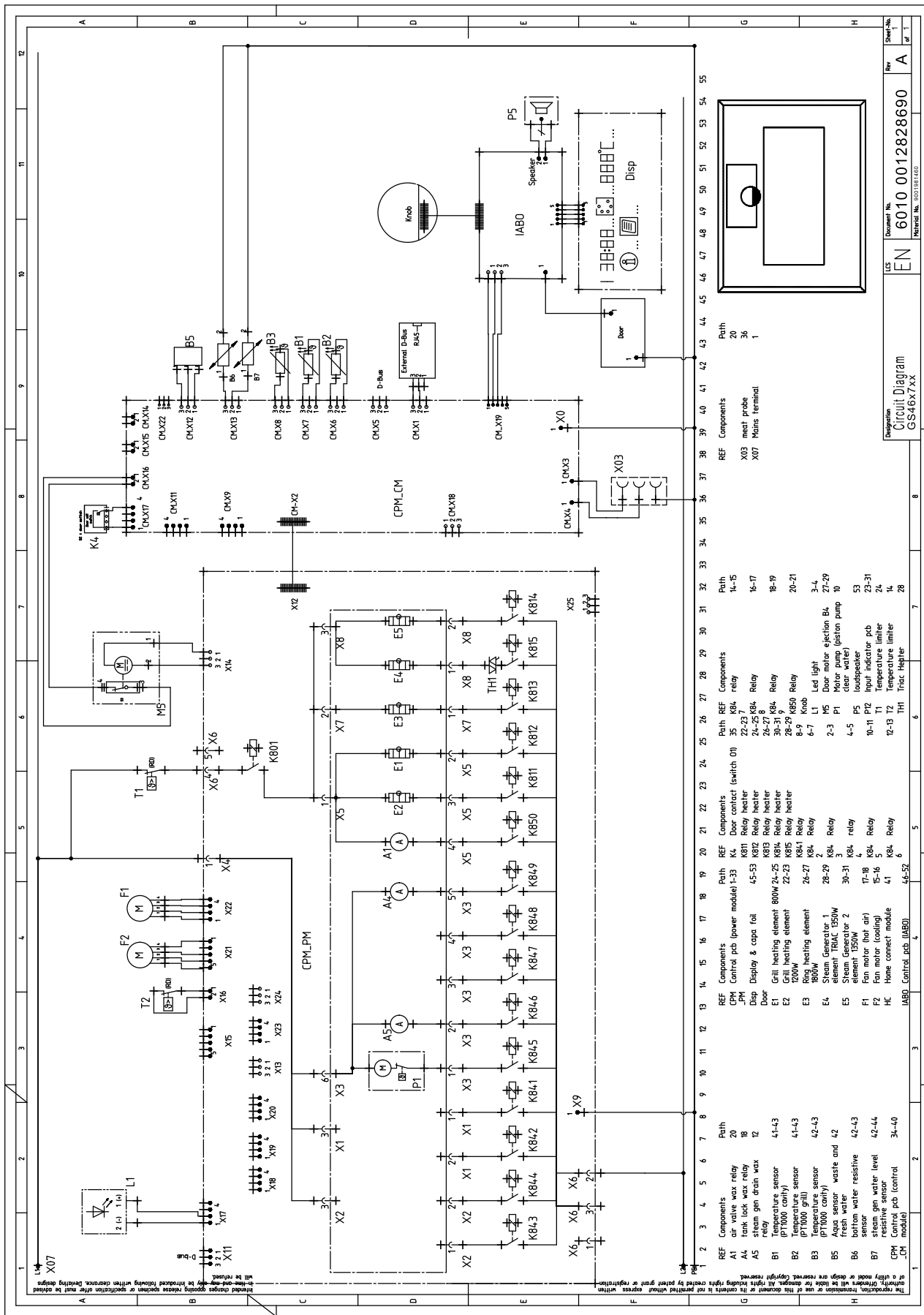


Table des matières

1	IMPORTANTES CONSIGNES DE SÉCURITÉ	15	13	COMBINAISON DE L'APPAREIL AVEC UN MICRO-ONDES	24
1.1	Définitions des termes de sécurité	15	14	OPÉRATION D'ESSAI	24
1.2	Informations générales	15	15	ENLEVER L'APPAREIL	24
1.3	Consignes générales de sécurité	15	16	Service à la clientèle	24
1.4	Manipulation sécuritaire des appareils	15	16.1	Numéro de modèle (E-Nr.), numéro de fabrication (FD) et numéro de comptage (Z-Nr.)	25
1.5	Codes et normes de sécurité	15	16.2	Emplacement de la plaque signalétique	25
1.6	Sécurité électrique	16	17	SCHÉMA DE CÂBLAGE	26
1.7	Mises en garde conformément à la proposition 65 de l'État de Californie	16			
1.8	Transport	16			
2	AVANT DE COMMENCER	17			
2.1	Pièces incluses	17			
2.2	Outils et pièces nécessaires	17			
2.3	Exigences d'alimentation et mise à la terre	17			
3	RETIRER L'EMBALLAGE	17			
4	EXIGENCES D'INSTALLATION	17			
4.1	Dimensions de l'électroménager	17			
4.2	Poids de l'électroménager	17			
4.3	Exigences concernant l'emplacement	17			
5	AVANT L'INSTALLATION	18			
5.1	Préparation de l'armoire	18			
5.2	Déplacement de l'appareil	18			
6	PLANCHERS INTERMÉDIAIRES RÉGLABLES AVEC SUPPORTS	18			
6.1	Installation de l'appareil au-dessus d'étages intermédiaires à l'aide de supports	19			
7	RACCORDEMENT ÉLECTRIQUE	19			
7.1	Exigences électriques	19			
7.2	Acheminement du câble de conduit électrique	19			
7.3	Installation d'une connexion à trois fils	19			
7.4	Installation d'une connexion à quatre fils	20			
8	INSTALLATION DE L'APPAREIL	20			
9	ALIGNEMENT DE LA PORTE DE L'APPAREIL ...	22			
9.1	Correction de la hauteur de la porte de l'appareil	22			
9.2	Modification de l'angle d'ouverture de la porte	22			
10	COMBINER UN APPAREIL AVEC UN FOUR	23			
11	COMBINAISON DE L'APPAREIL AVEC UNE MACHINE À CAFÉ ENTIÈREMENT AUTOMATIQUE	23			
12	COMBINER UN APPAREIL AVEC UN TIROIR CHAUFFANT	24			



IMPORTANTES CONSIGNES DE SÉCURITÉ

LIRE ET CONSERVER CES INSTRUCTIONS

Lisez attentivement toutes les instructions avant d'utiliser l'appareil. Afin de réduire les risques d'incendie, d'électrocution et de blessures corporelles lorsque vous utilisez l'appareil, suivez les précautions de base, et notamment les consignes de sécurité suivantes.

1.1 Définitions des termes de sécurité

Vous trouverez ici des explications sur les mots de signalisation de sécurité utilisés dans ce manuel.

AVERTISSEMENT

Signale un risque de mort ou de blessure grave si l'avertissement n'est pas respecté.

MISE EN GARDE

Signale un risque de blessures mineures ou modérées si l'avertissement n'est pas respecté.

AVIS

Ceci indique que la non-conformité à cet avis de sécurité peut entraîner des dégâts matériels ou endommager l'appareil.

Remarque : Ceci vous signale des informations importantes.

1.2 Informations générales

Vous trouverez ici des informations générales sur ce manuel.

- Veuillez lire attentivement ce manuel.
- Respectez les consignes de sécurité et les avertissements.
- Conservez le manuel et les informations sur le produit dans un endroit sûr pour référence future ou pour le prochain propriétaire.
- Vérifiez que l'appareil n'est pas endommagé après l'avoir déballé. Ne branchez pas l'appareil s'il a été endommagé pendant le transport.

Cet appareil est conçu pour être utilisé jusqu'à une hauteur maximale de 13,100 pieds (4000 mètres) au dessus du niveau de la mer.

1.3 Consignes générales de sécurité

IMPORTANT : CONSERVEZ CES INSTRUCTIONS POUR L'UTILISATION DE L'INSPECTEUR ÉLECTRIQUE LOCAL.

INSTALLATEUR : LAISSEZ CES INSTRUCTIONS D'INSTALLATION AVEC L'UNITÉ POUR LE PROPRIÉTAIRE.

PROPRIÉTAIRE : VEUILLEZ CONSERVER CES INSTRUCTIONS POUR RÉFÉRENCE FUTURE.

INSTALLATEUR : LAISSEZ CES INSTRUCTIONS AVEC L'APPAREIL UNE FOIS L'INSTALLATION COMPLÈTE.

Examinez l'appareil après l'avoir déballé. En cas de dommage en cours de transport, ne branchez pas l'appareil.

AVERTISSEMENT

Si les consignes du présent manuel ne sont pas suivies à la lettre, il y a un risque d'incendie ou d'électrocution

pouvant entraîner des dommages matériels ou des blessures.

Ne pas réparer, remplacer ni retirer toute pièce de l'électroménager à moins que cela ne soit spécifiquement recommandé par les manuels. L'installation, les réparations ou l'entretien inadéquats pourraient causer des blessures ou des dégâts matériels.

- ▶ Consulter ce manuel pour les directives d'utilisation.
- ▶ Toutes les autres réparations doivent être effectuées par un prestataire de services agréé.

Lorsque vous installez une table de cuisson sur un seul four, veillez à suivre les instructions des manuels d'installation du four et de la table de cuisson.

Ne jamais modifier ni altérer la structure de l'appareil électroménager.

- ▶ Par exemple, ne retirez pas les pieds d'ajustement, les panneaux, les couvre-fils ou les vis ou supports anti-basculement.

AVERTISSEMENT


Retirer tout le ruban adhésif et l'emballage avant d'utiliser l'électroménager.

- ▶ Jetez l'emballage après avoir déballé l'électroménager.
- ▶ Éliminez l'emballage d'une manière respectueuse de l'environnement.
- ▶ Ne laissez jamais les enfants jouer avec le matériel d'emballage.

Avant de mettre l'appareil en marche, retirez tout matériau d'emballage et film adhésif de la cavité du four et de la porte.

1.4 Manipulation sécuritaire des appareils

AVERTISSEMENT

L'unité  est lourde et son déplacement exige au moins deux personnes ou encore un équipement approprié.

- ▶ Ne soulevez pas l'appareil par la porte ou le panneau avant.

AVERTISSEMENT



Certaines surfaces cachées peuvent avoir des rebords tranchants.

- ▶ Redoubler de vigilance quand vous passez la main derrière ou sous l'appareil électroménager.

1.5 Codes et normes de sécurité

Cet appareil est conforme aux plus récentes versions de l'une ou plus des normes suivantes :

- UL 858 - Cuisinières électriques domestiques
- CAN/CSA-C22.2 No. 60335-1 - Sécurité des appareils électrodomestiques et analogues - Généralités
- CAN/CSA-E60335-2-6, Norme pour la sécurité des appareils électroménagers et similaires.



IMPORTANTES CONSIGNES DE SÉCURITÉ

LIRE ET CONSERVER CES INSTRUCTIONS

Il est de la responsabilité du propriétaire et de l'installateur de déterminer si des exigences et/ou des normes supplémentaires s'appliquent à des installations spécifiques.

1.6 Sécurité électrique

- **Installateur** - indiquez au propriétaire l'emplacement du disjoncteur ou du fusible. Identifiez sa position pour pouvoir le retrouver facilement.
- S'il y a lieu, conformément au Code national de l'électricité (ou au Code canadien de l'électricité), cet appareil doit être installé sur un circuit de dérivation séparé.
- Les codes locaux peuvent varier. L'installateur est responsable de s'assurer que l'installation, les connexions et la mise à la terre sont conformes à tous les codes applicables. Le fabricant n'est pas responsable des problèmes associés à une mauvaise installation de ce produit.
- Voir la fiche signalétique pour plus d'information.
→ "Emplacement de la plaque signalétique",
Page 25

AVERTISSEMENT

Avant l'installation, couper l'alimentation au panneau de service.

- ▶ Verrouiller le panneau de service pour empêcher que l'alimentation ne soit rétablie par accident.

AVERTISSEMENT



RISQUE D'ÉLECTROCUTION

- ▶ Débranchez l'alimentation avant l'installation ou l'entretien. Avant de rétablir l'alimentation, s'assurer que toutes les commandes sont à la position d'arrêt (OFF).
- ▶ NE PAS enlever de raccords.
- ▶ NE PAS utiliser de rallonge.
- ▶ Une mise à la terre inadéquate peut entraîner un risque d'électrocution.
- ▶ Tout manquement à ces directives peut entraîner la mort ou une électrocution, ou déclencher un incendie.

AVERTISSEMENT

Il doit toujours être possible de déconnecter l'appareil de l'alimentation électrique. L'appareil ne doit être branché que sur une prise de terre correctement installée.

- ▶ Un sectionneur omnipolaire doit être intégré dans l'installation électrique permanente selon les conditions de la catégorie de surtension III et selon les règlements d'installation.
- ▶ L'installation électrique permanente ne doit être câblée que par un électricien professionnel. Nous vous recommandons d'installer un disjoncteur différentiel (RCCB) dans le circuit d'alimentation de l'appareil.

AVERTISSEMENT

INSTRUCTIONS DE MISE À LA TERRE

- ▶ Cet appareil doit être mis à la terre.

- ▶ La mise à la terre réduit le risque de choc électrique en fournissant une voie sûre pour le courant électrique en cas de court-circuit.
- ▶ Assurez-vous que l'appareil est correctement installé et mis à la terre par un technicien qualifié.
- ▶ L'installation, les raccordements électriques et la mise à la terre doivent être conformes avec tous les codes en vigueur.

N'utilisez pas de rallonge. Si le cordon d'alimentation est trop court, demandez à un électricien ou un technicien qualifié d'installer une prise à proximité de l'appareil. Avant de mettre sous tension la source d'alimentation, vérifiez que toutes les commandes sont à la position OFF (Arrêt).

1.7 Mises en garde conformément à la proposition 65 de l'État de Californie

Ce produit pourrait contenir un produit chimique reconnu par l'État de la Californie comme cancérigène ou ayant des effets nocifs sur la reproduction. Par conséquent, vous pourriez devoir apposer l'étiquette suivante sur l'emballage du produit comme requis par la Californie :

AVERTISSEMENT ISSUE DE LA PROPOSITION 65 DE L'ÉTAT DE LA CALIFORNIE :



AVERTISSEMENT

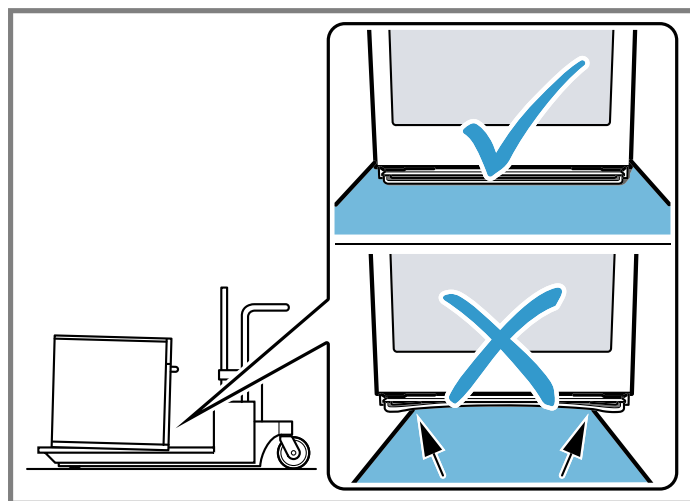
Cancer et dommages à la reproduction -
www.P65Warnings.ca.gov

1.8 Transport

Suivez ces précautions lors du transport de votre appareil.

AVIS

Pour éviter d'endommager l'appareil, utilisez la méthode de transport illustrée ci-dessous.

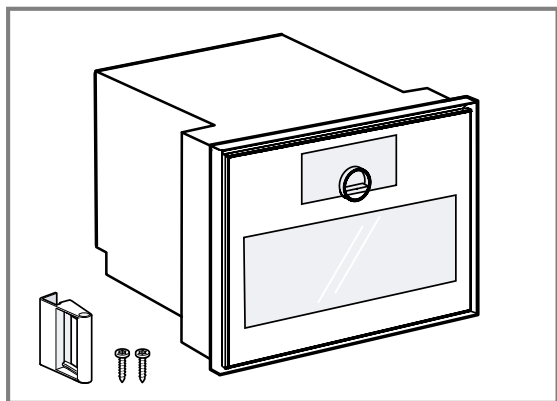


2 Avant de commencer

Lisez ces instructions avant de commencer l'installation de votre appareil.
Ce manuel d'installation couvre plusieurs modèles. Tous graphiques sont représentatifs. Votre appareil peut varier en apparence et en fonctionnalités.

2.1 Pièces incluses

Après avoir déballé le produit, inspectez toutes les pièces pour détecter d'éventuels dégâts dus au transport et pour vous assurer de l'intégralité de la livraison.



2.2 Outils et pièces nécessaires

Préparez ces outils et accessoires avant de commencer à installer votre électroménager.

- Crayon
- Ruban à mesurer
- Scie sauteuse
- Niveau
- Tournevis à embout étoile T20

2.3 Exigences d'alimentation et mise à la terre

La prise de courant doit être correctement mise à la terre selon tous les codes applicables.

Zone de la prise de courant

Veillez à ce que la prise soit située à l'extérieur de l'ouverture de l'armoire.

3 Retirer l'emballage

AVIS

Pour éviter d'endommager votre sol, conservez l'unité dans son emballage de base jusqu'à ce qu'elle soit prête à être placée dans l'ouverture de l'armoire. Ne faites pas glisser l'appareil sur le sol.

1. Coupez les sangles à l'extérieur de la boîte.

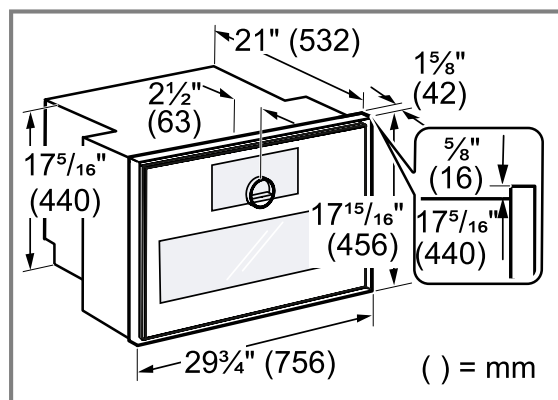
2. Retirez la boîte en carton.
3. Retirez tous les cartons et les supports en styromousse sur le dessus et les côtés.
4. Placez le four devant l'armoire où elle doit être installée.

Remarque : Les supports d'emballage restent dans la base d'emballage.

4 Exigences d'installation

Lisez ces instructions pour préparer l'espace d'installation de votre appareil.

4.1 Dimensions de l'électroménager



4.2 Poids de l'électroménager

La base de l'armoire doit supporter le poids de votre appareil comme indiqué dans ce tableau.

Modèle	Poids
GS460720	113 lb (51 kg)
GS461720	

4.3 Exigences concernant l'emplacement

- L'armoire dans laquelle l'appareil est intégré doit être résistante à la chaleur jusqu'à 195 °F (90 °C) et les façades des armoires adjacentes jusqu'à 160 °F (70 °C).
- Le côté charnière de la porte ne peut pas être modifié.
- La distance entre le bord avant de l'armoire et l'avant du panneau de porte est de 1 5/8 po (42 mm).

- Lorsque vous planifiez une solution d'angle, envisagez un angle d'ouverture de porte d'au moins 97 °.
- Notez le dépassement pour l'ouverture des tiroirs à côté de l'appareil.
- N'installez aucun autre appareil électrique dans l'armoire au-dessus de cet appareil.
- N'installez pas d'évier au-dessus de cet appareil.
- En cas d'installation au-dessus d'une machine à café entièrement automatique, utilisez le plancher intermédiaire ou le support métallique. Vous pouvez obtenir le plancher intermédiaire et le support

métallique auprès du service clientèle ou de la boutique en ligne.

- Si vous installez deux appareils l'un au-dessus de l'autre, directement à côté d'une machine à café entièrement automatique, utilisez le plancher intermédiaire ou le support métallique entre les quatre appareils.
- Installez l'appareil uniquement à une hauteur suffisante pour que le client puisse retirer les accessoires sans effort.
- La base de l'armoire doit être plate et capable de supporter le poids de votre appareil.
- N'obstruez pas les événements du four.

5 Avant l'installation

Effectuez ces étapes pour préparer votre appareil à l'installation.

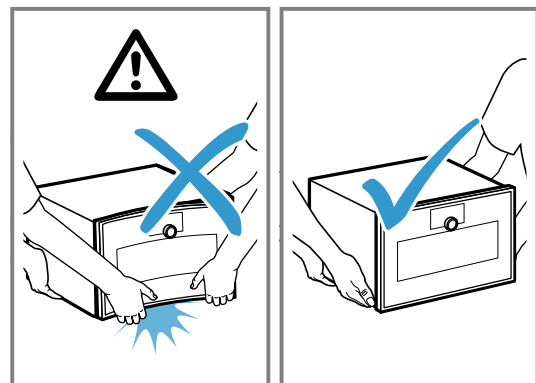
5.1 Préparation de l'armoire

1. Effectuez les travaux de découpe sur les armoires, puis insérer l'appareil.
2. Effectuez les travaux de découpe dans l'armoire.
3. Après avoir réalisé les coupes, enlever les copeaux éventuels
Les copeaux peuvent altérer le fonctionnement des composants électriques.
4. Fixez les armoires indépendantes au mur à l'aide d'un support standard.
5. Ne couvrez pas les fentes d'aération et les ouvertures d'admission d'air.
6. Retirez le panneau arrière de l'armoire derrière l'appareil ou prévoyez une découpe suffisante dans le plancher intermédiaire.
7. Maintenez un espace d'au moins 1¾ po (45 mm) entre le mur et la base de l'armoire ou le panneau arrière de l'armoire située au-dessus.

5.2 Déplacement de l'appareil

Le fait de porter l'appareil par son cadre peut le faire plier. Le cadre de l'appareil ne peut pas supporter le poids de l'appareil.

- ▶ Ne soulevez pas l'appareil par son cadre. Soulevez toujours l'appareil par le boîtier.



6 Planchers intermédiaires réglables avec supports

Un plancher intermédiaire réglable avec des supports (GA301010) est disponible pour votre appareil.

AVIS

Si vous installez des appareils électroménagers sur le plancher intermédiaire à l'aide de supports trop lourds, celui-ci risque de se déformer.

- ▶ N'installez pas le plancher intermédiaire avec des supports sous un four.

Si vous n'installez pas correctement l'appareil sur le faux plancher GA301010, le faux plancher risque de se déformer.

- ▶ Ne placez pas l'appareil en biais dans la niche du plancher intermédiaire.
- ▶ Faites glisser l'appareil dans le meuble haut parallèlement aux parois latérales de la découpe d'encastrement.

Remarque : N'installez pas de micro-ondes en dessous d'une machine à café automatique.

Installez uniquement le plateau vapeur avec les supports :

- En dessous d'un four mixte de la même série.
- En dessous d'un micro-ondes de la même série.
- En dessous d'une machine à café entièrement automatique que vous installez au-dessus d'un four de la même série.
- En dessous d'une machine à café entièrement automatique que vous installez au-dessus d'un four mixte de la même série.

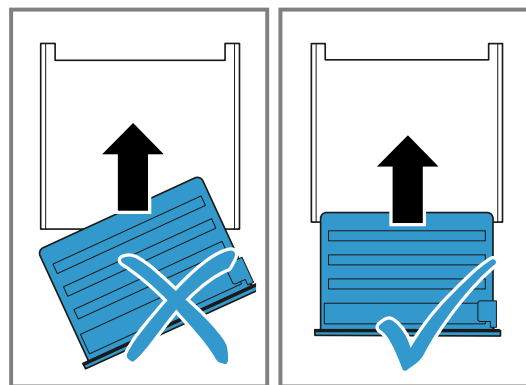
N'installez pas le plateau vapeur avec les supports :

- En dessous d'un four.
- Entre deux machines à café entièrement automatiques que vous souhaitez installer verticalement.
- Au-dessus d'un four mixte de la même série.

6.1 Installation de l'appareil au-dessus d'étages intermédiaires à l'aide de supports

- ▶ Ne placez pas l'appareil en biais dans le renforcement de l'étage intermédiaire à l'aide de supports. Faites glisser l'appareil dans le meuble haut

parallèlement aux parois latérales de la découpe d'encastrement.



7 Raccordement électrique

Lisez ces instructions pour connecter votre appareil en toute sécurité à l'alimentation électrique.

7.1 Exigences électriques

Assurez-vous que votre installation électrique prend en charge les exigences suivantes.

⚠ AVERTISSEMENT

Avant l'installation, couper l'alimentation au panneau de service.

- ▶ Verrouiller le panneau de service pour empêcher que l'alimentation ne soit rétablie par accident.
- UNE MISE À LA TERRE INADÉQUATE PEUT ENTRAÎNER UN RISQUE D'ÉLECTROCUTION.**
- ▶ Consultez un électricien qualifié si vous ne comprenez pas parfaitement les instructions de mise à la terre ou si vous avez des doutes concernant une mise à la terre appropriée.
 - ▶ Si le cordon d'alimentation est trop court, demandez à un électricien ou un technicien qualifié d'installer une prise à proximité de l'appareil.
 - ▶ NE PAS UTILISER DE RALLONGE.

Cet appareil doit être alimenté avec la tension et la fréquence appropriées et connecté à un circuit de dérivation individuel correctement mis à la terre, protégé par un disjoncteur ou un fusible. Pour connaître le disjoncteur ou le fusible requis par votre modèle, consultez la plaque signalétique pour trouver la consommation de puissance et reportez-vous au tableau des valeurs nominales pour obtenir l'ampérage du disjoncteur ou du fusible.

⚠ AVERTISSEMENT

Les codes locaux peuvent varier.

- ▶ L'installation, les raccordements électriques et la mise à la terre doivent être conformes à tous les codes locaux en vigueur.

Fourniture électrique	208/240 V AC, 60 Hz, 3 fils
Disjoncteur	15 Amp

Conduit	Trifilaire flexible de 48 po
Grade électrique	Se référer à la plaque signalétique → "Emplacement de la plaque signalétique", Page 25

- Spécifications du circuit: 208/240 V AC, 60 Hz, 15 A, 3 fils, circuit de mise à la terre dédié à partir du panneau.
- La prise de courant doit être correctement mise à la terre selon tous les codes applicables.
- Il incombe à l'installateur de respecter les codes locaux. Si aucun code local n'est applicable, effectuer le raccordement selon le National Electrical Code (ou le Code canadien de l'électricité Canadian Electrical Code), ANSI/NFPA 70 - version la plus récente.
- Le rayon de courbure minimum du conduit flexible est de 6 po (152 mm).
- La source d'alimentation devrait être une source trifilaire monophasée à CA. Installez une boîte de jonction convenable (non fournie).

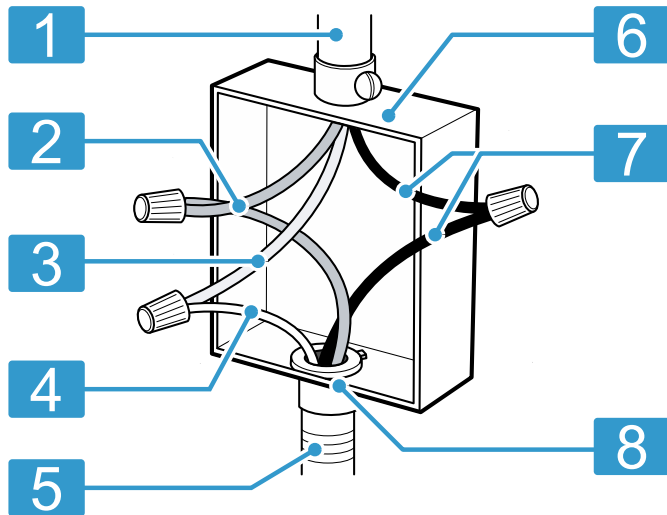
7.2 Acheminement du câble de conduit électrique

Exigences

- Un trou dans l'armoire a été préparé pour acheminer le conduit électrique du four à la boîte de jonction.
- La facilité d'entretien doit être maintenue. Ne raccourcissez pas le câble du conduit électrique. Acheminez le câble du conduit électrique de manière à permettre le retrait temporaire du four.
- ▶ Le câble du conduit électrique pivote là où il est connecté au four. Faites pivoter le câble du conduit électrique vers le haut ou vers le bas et dirigez-le à travers le trou préparé dans l'armoire.

7.3 Installation d'une connexion à trois fils

1. Pour faciliter l'entretien et pour assurer la sécurité de l'installation, le conduit flexible ne doit pas être raccourci et doit être acheminé de manière à permettre le retrait temporaire du four.



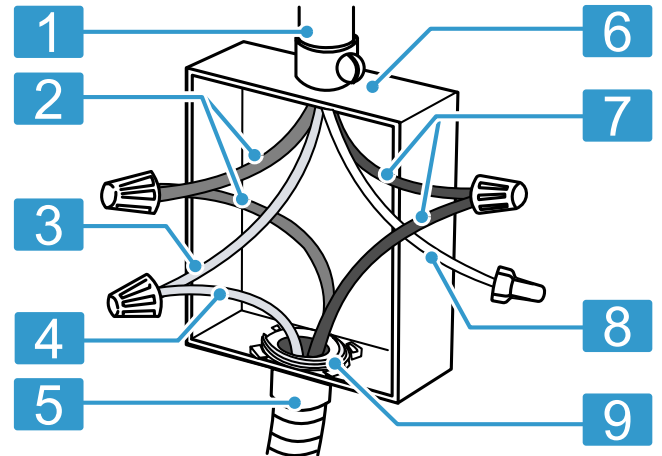
- 1 Câble d'alimentation électrique domestique
- 2 Fils rouges
- 3 Fil vert ou dénudé de l'alimentation domestique
- 4 Fil de terre vert du four
- 5 conduit flexible à 3 fils du four
- 6 Boîte de jonction homologuée UL ou approuvée CSA
- 7 Fils noirs
- 8 Connecteur de conduit homologué UL ou approuvé CSA

2. Connectez le fil rouge du four au fil rouge d'alimentation électrique (fil sous tension).
3. Connectez le fil noir du four au fil noir d'alimentation électrique (fil sous tension).
4. Connectez le fil de terre vert du four au fil d'alimentation électrique de terre vert ou dénudé.

7.4 Installation d'une connexion à quatre fils

Neutre non mis à la terre

1. IMPORTANT : Utilisez le câble à quatre fils de l'alimentation domestique aux États-Unis où les codes locaux ne permettent pas la mise à la terre par le biais d'installations de circuit neutres et neuves (NEC 1996), de maisons mobiles et de véhicules de loisirs, de nouvelles constructions et au Canada.
2. Pour faciliter l'entretien et pour assurer la sécurité de l'installation, le conduit flexible ne doit pas être raccourci et doit être acheminé de manière à permettre le retrait temporaire du four.



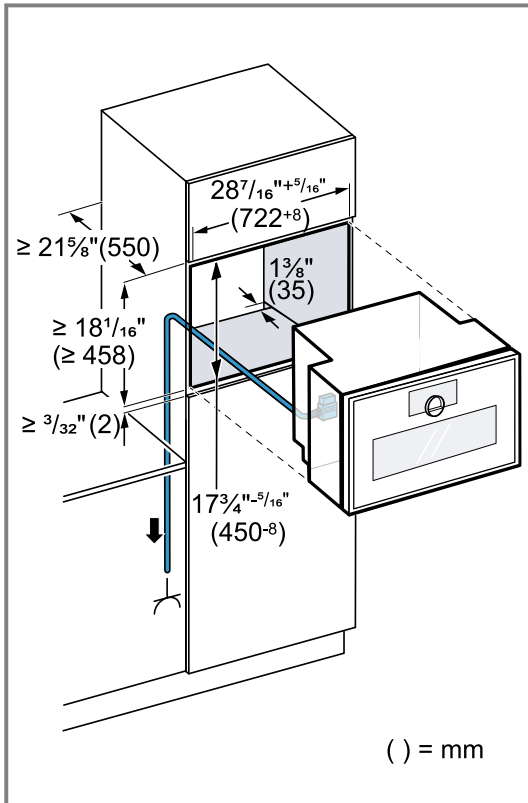
- 1 Câble d'alimentation électrique domestique
- 2 Fils rouges
- 3 Fil vert ou dénudé de l'alimentation domestique
- 4 Fil de terre vert du four
- 5 conduit flexible à 3 fils du four
- 6 Boîte de jonction homologuée UL ou approuvée CSA
- 7 Fils noirs
- 8 Fil blanc
- 9 Connecteur de conduit homologué UL ou approuvé CSA

3. Connectez le fil rouge du four au fil rouge d'alimentation électrique (fil sous tension).
4. Connectez le fil noir du four au fil noir d'alimentation électrique (fil sous tension).
5. Connectez le fil de terre vert du four au fil d'alimentation électrique de terre vert ou dénudé.

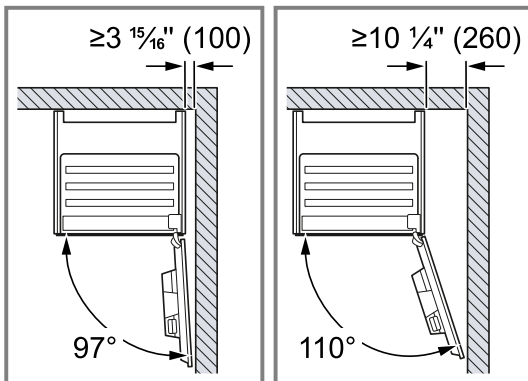
8 Installation de l'appareil

Remarque : L'étiquette rouge qui dépasse de la porte de l'appareil sert de support lors de l'installation. Avant de le connecter à l'alimentation électrique, tirez sur l'étiquette rouge pour ouvrir la porte de l'appareil.

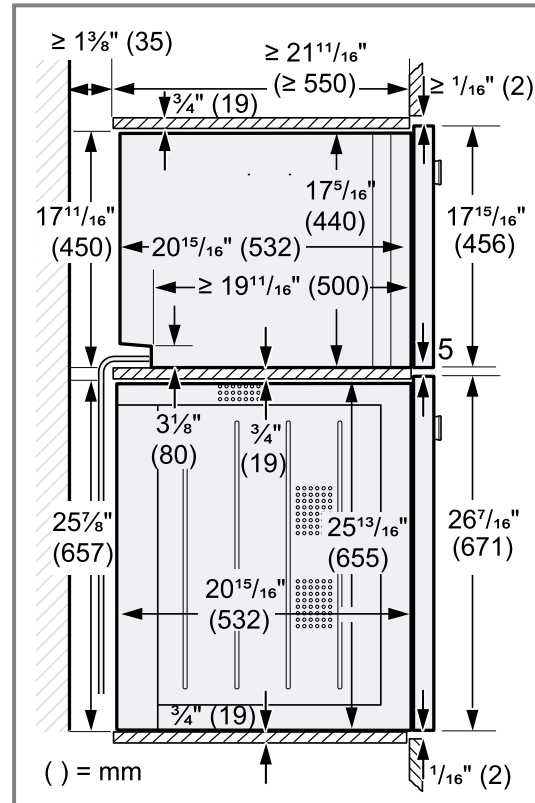
- Respectez les dégagements lors de l'installation dans une armoire haute.
 - Pour ventiler l'appareil, le plancher intermédiaire doit être équipé d'une découpe de ventilation



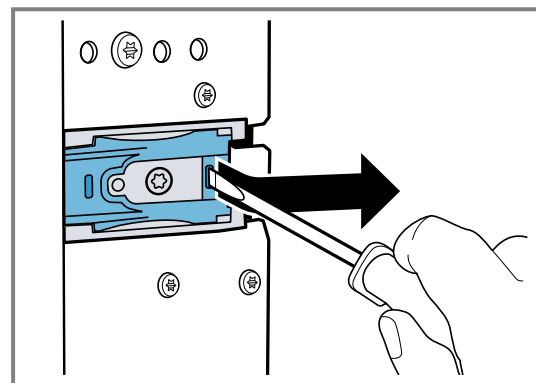
- Lors de l'installation à côté d'un mur, veillez à ce que l'angle d'ouverture potentiel de la porte de l'appareil soit basé sur les dégagements minimaux par rapport au mur.



- Lors de l'installation de 2 appareils l'un sur l'autre, respectez les dégagements.
 - Assurez-vous que la distance entre l'appareil et le mur est d'au moins $1\frac{3}{8}$ po (35 mm).

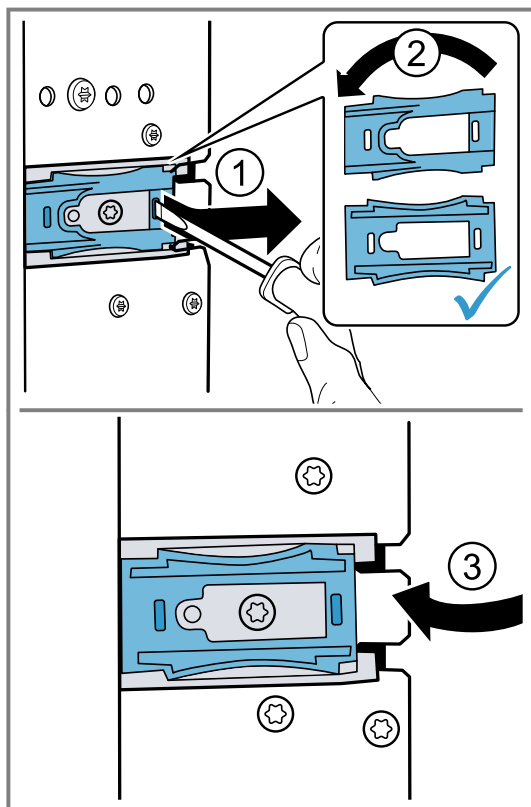


- Si l'il n'y a pas de plancher intermédiaire au-dessus de l'appareil, sécurisez l'appareil contre le basculement dans le meuble. Fixez 2 supports disponibles dans le commerce des deux côtés dans l'armoire à une profondeur de $17\frac{11}{16}$ po (450 mm), $\frac{3}{16}$ po (5 mm) au-dessus de la hauteur de l'appareil.
- Veillez à ajuster les deux éléments en plastique blanc à gauche et à droite de l'appareil.
- Si l'épaisseur des parois latérales de l'armoire est de $\frac{5}{8}$ po (16 mm), ne retirez pas les éléments en plastique blanc. Les éléments en plastique blanc servent de support lors du centrage de l'appareil.
- Si l'épaisseur des parois latérales de l'armoire est de $1\frac{3}{16}$ po (20 mm), retirer les éléments en plastique blanc.

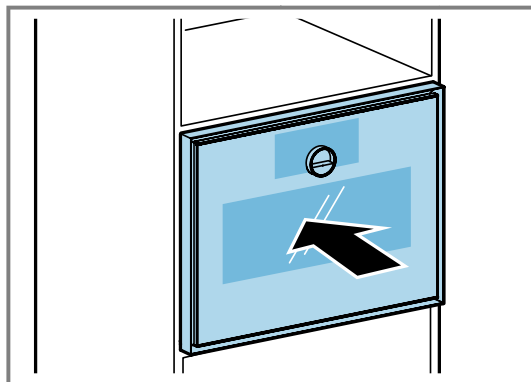


- Si l'épaisseur des parois latérales de l'armoire est de $\frac{3}{4}$ po (19 mm), retirez les éléments en plastique

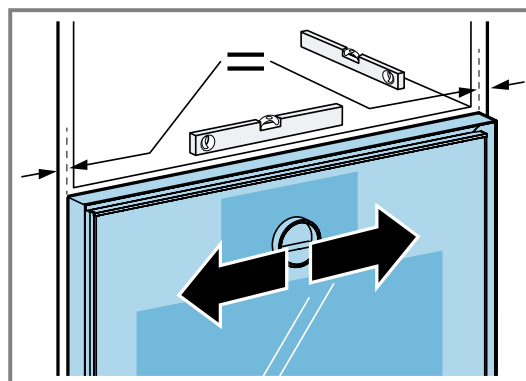
blanc, ①, tournez-les de 180° ② et remettez-les en place ③.



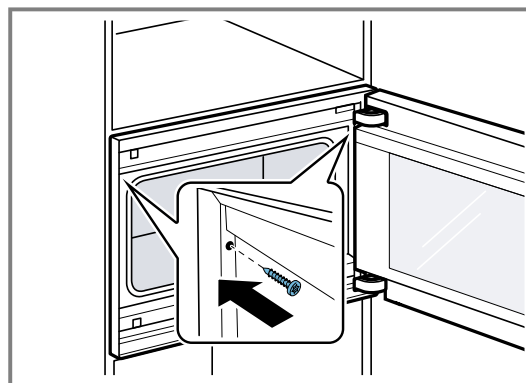
9. Poussez l'appareil jusqu'au fond de l'armoire encastree.
 ▶ Ne pliez ou ne coincez pas le câble du connecteur.



10. Centrez l'appareil.
 Il doit y avoir un espace d'au moins 3/16 po (5 mm) entre l'appareil et les façades des armoires adjacentes.
 11. Utilisez un niveau à bulle pour régler l'appareil afin qu'il soit parfaitement de niveau.



12. Ouvrez la porte de l'appareil électroménager.
 13. Fixez l'appareil à l'armoire à l'aide des vis fournies.



14. Retirez le boulon de transport en plastique rouge du loquet supérieur de la porte.
 15. Retirez le matériel d'emballage et le film adhésif de la cavité de l'appareil et de la porte.

9 Alignement de la porte de l'appareil

La porte de l'appareil est déjà alignée lors de la livraison de l'appareil. L'alignement n'est normalement pas requis. Si vous installez plusieurs appareils les uns à côté des autres ou empilés verticalement, alignez la porte de l'appareil.

- Correction de la hauteur de la porte de l'appareil
 → Page 22
- Modification de l'angle d'ouverture de la porte
 → Page 22

9.1 Correction de la hauteur de la porte de l'appareil

1. Tirez légèrement l'appareil hors de son encastrement.

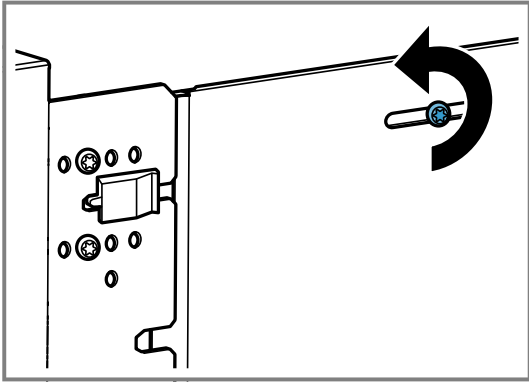
2. Dévissez les deux vis situées sur le côté de l'appareil.
 3. Ouvrez la porte de l'appareil électroménager.
 4. Tournez le tournevis à tête hexagonale dans chaque direction pour corriger la hauteur de l'appareil.
 5. Serrez les deux vis sur le côté de l'appareil.
 6. Faites glisser l'appareil dans l'encastrement.

9.2 Modification de l'angle d'ouverture de la porte

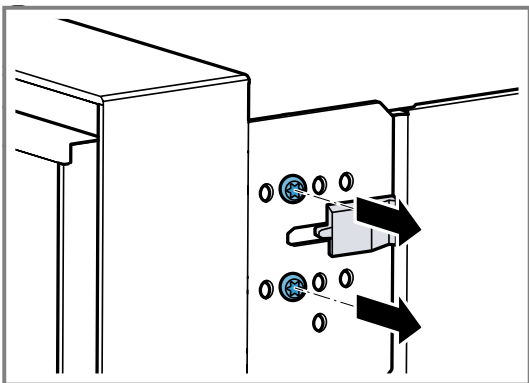
Deux angles d'ouverture sont disponibles pour la porte de l'appareil.

1. Tirez légèrement l'appareil hors de son encastrement.

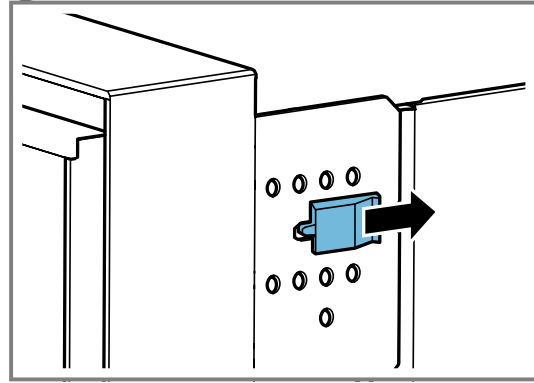
2. Desserrez légèrement la vis située sur le côté droit à l'arrière de l'appareil.



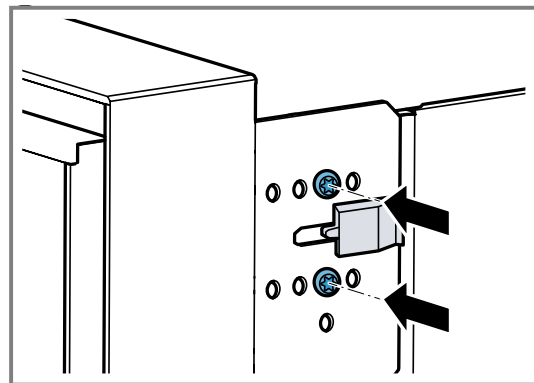
3. Retirez les deux vis situées devant l'élément en plastique noir.



4. Faites glisser l'élément en plastique noir vers la droite.



5. Vissez les deux vis dans les trous situés plus à droite sur l'appareil.



Plus les vis sont vissées à droite, plus l'angle d'ouverture de la porte est réduit.
Lorsque les vis sont positionnées à droite, l'angle d'ouverture de la porte de l'appareil est d'environ 97°.

10 Combiner un appareil avec un four

1. Combinez uniquement les appareils appropriés de la même marque et de la même série.
2. Installez d'abord le four combi-vapeur, puis le four.
3. Lorsque l'appareil est installé à côté d'un four, veillez à ce que les portes de l'appareil s'ouvrent dans la direction opposée.

11 Combinaison de l'appareil avec une machine à café entièrement automatique

1. Combinez uniquement les appareils appropriés de la même marque et de la même série.
2. Suivez les instructions d'installation de la machine à café entièrement automatique et du faux plancher.
3. En cas d'installation au-dessus d'une machine à café entièrement automatique, utilisez le plancher intermédiaire ou le support métallique. Vous pouvez obtenir le plancher intermédiaire et le support métallique auprès du service après-vente ou de la boutique en ligne.
4. Si vous installez deux appareils l'un au-dessus de l'autre, directement à côté d'une machine à café entièrement automatique, utilisez le plancher intermédiaire ou le support métallique entre les quatre appareils.

12 Combiner un appareil avec un tiroir chauffant

AVIS

Les bords tranchants de l'appareil peuvent endommager le panneau avant du tiroir chauffant.

- ▶ N'endommagez pas le panneau avant du tiroir chauffant lorsque vous glissez l'appareil à l'intérieur.
- ▶ Avant d'installer un autre appareil, ouvrez le tiroir chauffant, placez un chiffon sur le panneau avant et fermez le tiroir chauffant pour protéger le panneau avant du tiroir chauffant contre les dommages.



1. Combinez uniquement les appareils appropriés de la même marque et de la même série.
2. Montez d'abord le tiroir chauffant.
3. Respectez les instructions de montage du tiroir chauffant.
4. Introduisez l'appareil dans le placard encastrable sur le tiroir chauffant.

13 Combinaison de l'appareil avec un micro-ondes

1. Combinez uniquement les appareils appropriés de la même marque et de la même série.
2. Installez d'abord le micro-ondes, puis le four mixte.

14 Opération d'essai

Vérifiez si votre appareil fonctionne correctement après avoir terminé les étapes d'installation.

1. Mettez sous tension au disjoncteur.
2. Appuyez sur  sur la bague de commande.
- ✓ L'écran affiche le logo GAGGENAU pendant environ 30 secondes, puis "Initialisation".
3. Régler la langue
4. Suivez les informations de l'assistant d'installation sur l'écran.
 - ▶ Appuyez sur  ou tournez la bague de commande.

5. Sélectionnez les paramètres pour le "Hauteur d'installation".
6. Alignez l'écran horizontalement ou verticalement en fonction de la position d'installation ou de la taille de l'utilisateur principal.
7. Désactivez le mode démo.
8. Pour tester le four, sélectionnez un mode de chauffage. Reportez-vous au manuel d'utilisation pour obtenir des instructions d'utilisation détaillées.
9. Vérifiez que l'éclairage du four s'allume et que le four se met à préchauffer.

15 Enlever l'appareil

1. Débranchez l'appareil de l'alimentation électrique.
2. Dévissez les vis de fixation.
3. Soulevez légèrement l'appareil et retirez-le complètement.

16 Service à la clientèle

Lors de toute réparation réalisée dans le cadre de la garantie, nous nous assurons que votre appareil est réparé avec des pièces de rechange d'origine par un technicien dûment formé et agréé. Nous utilisons exclusivement des pièces de rechange d'origine lors des réparations.

Vous pouvez obtenir auprès de notre service après-vente des pièces détachées d'origine relatives au fonctionnement de l'appareil et pouvant être stockées jusqu'à 15 ans après la commercialisation de votre appareil.

Veuillez contacter notre service clientèle pour obtenir d'autres informations à ce sujet.

Pour plus d'informations sur la durée et les conditions de la garantie dans votre pays, consultez nos modalités de garantie auprès de votre détaillant ou sur notre site Web.

La source de lumière est disponible en tant que pièce de rechange et doit être remplacée uniquement par du personnel qualifié.

USA:

1-877-442-4436

www.gaggenau.com

www.gaggenau.com/us/appliances/eshop

CA:

1-877-442-4436

www.gaggenau.com

www.gaggenau.ca

Résidents du Québec :

Vous trouverez des renseignements sur la disponibilité des pièces de rechange, des services de réparation et des renseignements nécessaires à l'entretien ou à la réparation de l'appareil à l'adresse suivante :

www.gaggenau.com/ca/fr/service/residents-du-qc



GAGGENAU

Vous trouverez également de l'aide pour contacter Home Connect® à l'adresse suivante : www.home-connect.com/us/en/help-support/set-up

16.1 Numéro de modèle (E-Nr.), numéro de fabrication (FD) et numéro de comptage (Z-Nr.)

Le numéro de modèle (E-Nr.), le numéro de fabrication (FD) et le numéro de comptage (Z-Nr.) sont indiqués sur la plaque signalétique de l'appareil.

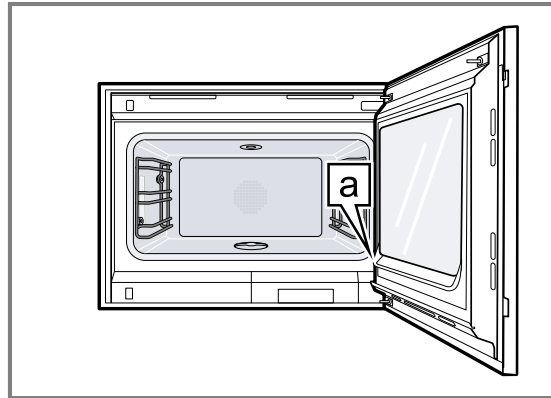
La plaque signalétique avec les numéros se trouve à l'intérieur du hublot.



Pour retrouver rapidement les données de votre appareil et le numéro de téléphone du service à la clientèle, n'hésitez pas à les recopier ailleurs.

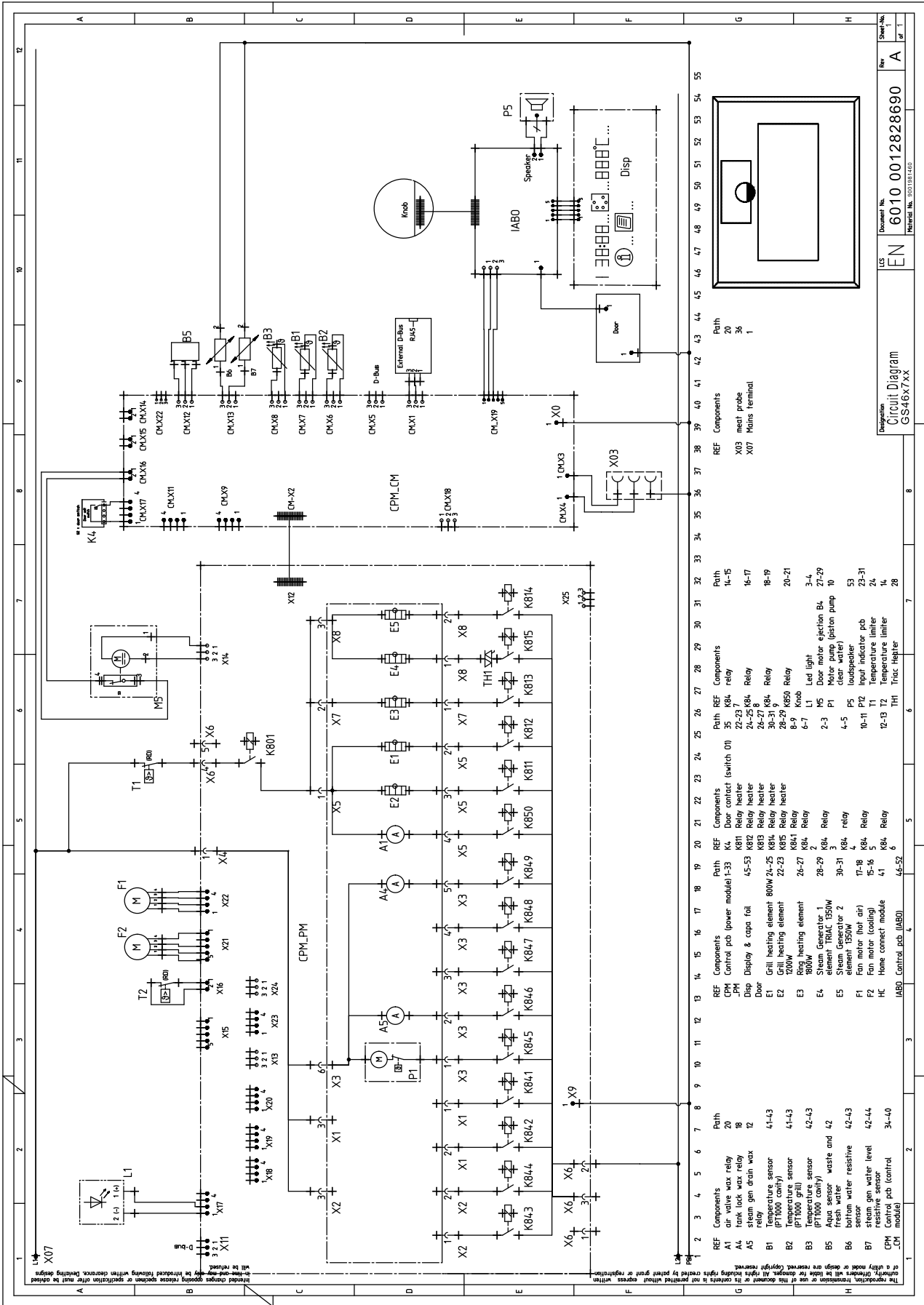
16.2 Emplacement de la plaque signalétique

La plaque signalétique est située dans le cadre de la porte, près de la charnière inférieure de la porte.



a Plaque signalétique

17 Schéma de câblage



Rev	Doc No.	Doc No.	Doc No.
1	EN	6010 0012828690	A
2	EN	6010 0012828690	A

Tabla de contenidos

1 INSTRUCCIONES DE SEGURIDAD IMPORTANTES	28	13 COMBINAR EL APARATO CON UN MICROONDAS	37
1.1 Definiciones de seguridad	28	14 COMPROBACIÓN DEL FUNCIONAMIENTO	37
1.2 Información general	28	15 RETIRAR EL APARATO	37
1.3 Instrucciones generales de seguridad	28	16 Servicio de atención al cliente	37
1.4 Seguridad de manejo del aparato	28	16.1 Número de modelo (E-Nr.), número de fabricación (FD) y número de conteo (Z-Nr.) ..	38
1.5 Códigos y normas de seguridad	28	16.2 Ubicación de la placa de características del aparato	38
1.6 Seguridad eléctrica	29	17 DIAGRAMA DE CABLEADO	39
1.7 Advertencias en virtud de la Proposición 65 del estado de California	29		
1.8 Transporte	29		
2 ANTES DE EMPEZAR	30		
2.1 Partes incluidas	30		
2.2 Herramientas y partes necesarias	30		
2.3 Requisitos de potencia y de conexión a tierra	30		
3 RETIRAR EL EMBALAJE	30		
4 REQUISITOS DE INSTALACIÓN	30		
4.1 Medidas del aparato	30		
4.2 Peso del aparato	30		
4.3 Requisitos de ubicación	30		
5 ANTES DE LA INSTALACIÓN	31		
5.1 Preparación del gabinete	31		
5.2 Mover el aparato	31		
6 SUPERFICIES INTERMEDIAS AJUSTABLES CON PLACAS DE FIJACIÓN	31		
6.1 Montar el aparato sobre superficies intermedias con placas de fijación	31		
7 CONEXIÓN ELÉCTRICA	32		
7.1 Requisitos eléctricos	32		
7.2 Enrutado del tubo pasacables eléctrico	32		
7.3 Instalación de una conexión de tres cables	33		
7.4 Instalación de una conexión de cuatro cables	33		
8 MONTAR EL APARATO	34		
9 ALINEAR LA PUERTA DEL APARATO	35		
9.1 Corregir la altura de la puerta del aparato	35		
9.2 Cambiar el ángulo de apertura de la puerta	35		
10 COMBINAR EL APARATO CON UN HORNO	36		
11 COMBINAR EL APARATO CON UNA CAFETERA AUTOMÁTICA	36		
12 COMBINAR EL APARATO CON UN CAJÓN CALIENTAPLATOS	37		



INSTRUCCIONES DE SEGURIDAD IMPORTANTES

LEA Y CONSERVE ESTAS INSTRUCCIONES

Leer atentamente todas las instrucciones antes de proceder con el uso del aparato. Para reducir el riesgo de incendio, descarga eléctrica y lesiones personales al utilizar el aparato, se deben tomar precauciones de seguridad básicas, incluidas las que se detallan en las siguientes instrucciones de seguridad.

1.1 Definiciones de seguridad

Aquí puede encontrar explicaciones de las palabras de señal de seguridad utilizadas en este manual.

ADVERTENCIA

Esto indica que pueden producirse la muerte o heridas graves si no se cumple con esta advertencia.

PRECAUCIÓN

Esto indica que pueden producirse heridas leves o moderadas si no se cumple con esta advertencia.

AVISO

Esto indica que pueden producirse daños en el aparato o en los bienes si no se cumple con este aviso.

Nota: Esto alerta sobre información importante.

1.2 Información general

Esta sección ofrece información general sobre el presente manual.

- Leer detenidamente el presente manual.
- Tener en cuenta los avisos y las instrucciones de seguridad.
- Conservar el manual y la información del producto en un lugar seguro para futuras referencias o para el siguiente propietario.
- Comprobar posibles daños en el aparato una vez desempaquetado. No conectar el aparato si este ha sufrido algún daño durante el transporte.

Este aparato está diseñado para su uso hasta un máximo de 13,100 pies (4000 metros) por encima del nivel del mar.

1.3 Instrucciones generales de seguridad

IMPORTANTE: CONSERVAR ESTAS INSTRUCCIONES PARA QUE PUEDA USARLAS EL INSPECTOR DE ELECTRICIDAD LOCAL.

INSTALADOR: DEJAR ESTAS INSTRUCCIONES DE INSTALACIÓN JUNTO A LA UNIDAD, PARA EL PROPIETARIO.

PROPIETARIO: CONSERVAR ESTAS INSTRUCCIONES PARA FUTURAS REFERENCIAS.

INDICACIÓN PARA EL INSTALADOR: ESTAS INSTRUCCIONES DEBEN PERMANECER CON EL APARATO UNA VEZ FINALIZADA LA INSTALACIÓN. Examinar el aparato después de desembalarlo. En el caso de que se hayan producido daños en el transporte, no enchufarlo.

ADVERTENCIA;

Si no se sigue con exactitud la información de este manual, se puede producir un incendio o una descarga

eléctrica que podrían causar daños materiales o lesiones personales.

No reparar, reemplazar ni retirar ninguna parte del aparato a menos que se recomiende específicamente en los manuales. La instalación, el servicio técnico o el mantenimiento incorrectos pueden causar lesiones o daños materiales.

- ▶ Consultar este manual como guía.
- ▶ Cualquier otra labor de mantenimiento debe de ser efectuada por un proveedor de servicios de mantenimiento autorizado.

Al instalar una placa de cocción sobre un horno individual, es preciso asegurarse de seguir las instrucciones de los manuales de instalación tanto del horno como de la placa de cocción.

No modificar ni alterar la construcción del aparato.

- ▶ Por ejemplo, no retirar las patas de nivelación, los paneles, las cubiertas para cables ni los tornillos o soportes antivuelco.

ADVERTENCIA;

Retirar toda la cinta y el embalaje antes de usar el aparato.

- ▶ Destruir el embalaje después de desembalar el aparato.
- ▶ Desechar el embalaje de manera respetuosa con el medio ambiente.
- ▶ No dejar nunca que los niños jueguen con el material de embalaje.

Antes de encender el aparato, retirar cualquier material de embalaje o lámina adhesiva de la cavidad del horno y de la puerta.

1.4 Seguridad de manejo del aparato

ADVERTENCIA;



La unidad pesa mucho y se requieren al menos dos personas o un equipo adecuado para trasladarla.

- ▶ No levantar el aparato por la puerta ni por el panel frontal.

ADVERTENCIA;



Las superficies ocultas pueden tener bordes afilados.

- ▶ Proceder con cuidado al intentar sujetar el aparato por la parte trasera o desde abajo.

1.5 Códigos y normas de seguridad

Este aparato cumple con la última versión de una o varias de las siguientes normas:

- UL 858: estufas eléctricas de uso doméstico
- CAN/CSA-C22.2 N.º 60335-1 - Seguridad de Aparatos Eléctricos de Uso Doméstico y Similares, General (Safety of Household and Similar Electrical Appliances - General)
- CAN/CSA-E60335-2-6 - Norma para la Seguridad de Aparatos Eléctricos de Uso Doméstico y Similares



INSTRUCCIONES DE SEGURIDAD IMPORTANTES

LEA Y CONSERVE ESTAS INSTRUCCIONES

(The Standard for the Safety of Household and similar electrical appliances).

Es responsabilidad del propietario y del instalador determinar si son aplicables otros requisitos y/o normas en instalaciones específicas.

1.6 Seguridad eléctrica

- **Instalador:** es preciso mostrar al propietario la ubicación del breaker del circuito o del fusible. Marcarla para recordarla más fácilmente.
- Si el Código Nacional Eléctrico (o el Código Eléctrico Canadiense) así lo exige, este aparato debe instalarse con un circuito derivado dedicado por separado.
- Las normativas locales varían. El instalador es responsable de asegurarse de que la instalación, las conexiones y la toma de tierra cumplan con todas las normativas aplicables. El fabricante no se hace responsable de los problemas asociados a un montaje incorrecto de este producto.
- Para obtener más información, consultar la placa de características.
→ "Ubicación de la placa de características del aparato", Página 38

ADVERTENCIA;

Antes de realizar la instalación, desconectar la alimentación eléctrica en el panel de servicio.

- ▶ Bloquear el panel de servicio para impedir que se conecte accidentalmente la alimentación eléctrica.

ADVERTENCIA;



PELIGRO DE DESCARGA ELÉCTRICA

- ▶ Desconectar la alimentación eléctrica antes de proceder a la instalación o al mantenimiento. Antes de encender la alimentación, es preciso asegurarse de que todos los controles estén en la posición OFF (apagado).
- ▶ NO quitar las conexiones.
- ▶ NO usar un cable de extensión.
- ▶ Una puesta a tierra incorrecta puede causar una descarga eléctrica.
- ▶ No seguir estas instrucciones puede producir la muerte, provocar un incendio o una descarga eléctrica.

ADVERTENCIA;

Siempre debe ser posible desconectar el aparato de la fuente de alimentación. El aparato solo puede estar conectado a un enchufe con toma de tierra correctamente instalado.

- ▶ Debe integrarse un interruptor de aislamiento para todos los polos en la instalación eléctrica fija de acuerdo con las condiciones de la categoría de sobrevoltaje III y teniendo en cuenta las normativas relativas a la instalación.
- ▶ La instalación eléctrica fija solo debe cablearla un electricista calificado. Se recomienda colocar un interruptor de corriente residual (RCCB) en el circuito de alimentación del aparato.

ADVERTENCIA;

INSTRUCCIONES PARA LA CONEXIÓN A TIERRA

- ▶ Este aparato debe estar conectado a tierra.
- ▶ La conexión a tierra reduce el riesgo de descargas eléctricas, ya que proporciona una vía de escape de la corriente eléctrica en caso de cortocircuito.
- ▶ Asegurarse de que el aparato esté correctamente instalado y conectado a tierra por un técnico calificado.
- ▶ La instalación, las conexiones eléctricas y la conexión a tierra deben cumplir con todas las normas aplicables.

No usar un cable de extensión. Si el cable de suministro de alimentación es demasiado corto, se deberá solicitar a un electricista calificado que instale una toma de corriente cerca del aparato.

Antes de conectar o encender la fuente de alimentación eléctrica, asegurarse de que todos los controles se encuentren en la posición OFF (Apagado).

1.7 Advertencias en virtud de la Proposición 65 del estado de California

Este producto puede contener un químico que el Estado de California reconoce como potencialmente cancerígeno o causante de daños reproductivos. Por tanto, su producto debe llevar en su embalaje la siguiente etiqueta de conformidad con la legislación de California:

ADVERTENCIA EN VIRTUD DE LA PROPOSICIÓN 65 DEL ESTADO DE CALIFORNIA:

⚠ ADVERTENCIA

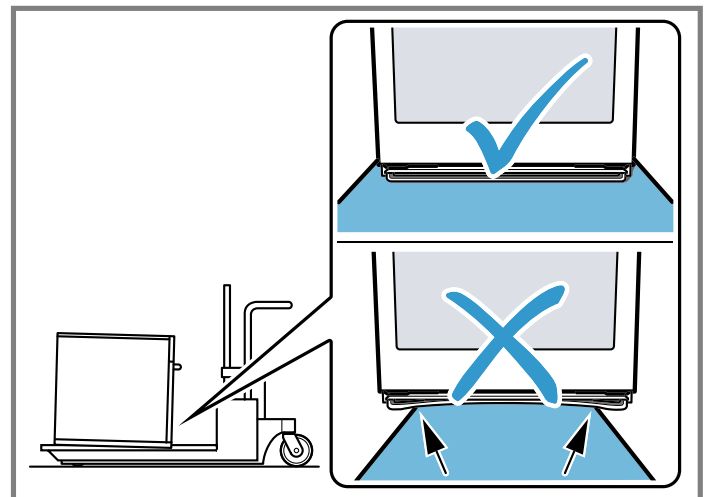
Cáncer y daño reproductivo - www.P65Warnings.ca.gov

1.8 Transporte

Tomar las siguientes precauciones al transportar el aparato.

AVISO

Para evitar dañar el aparato, emplear el método de transporte que se muestra en la imagen siguiente.

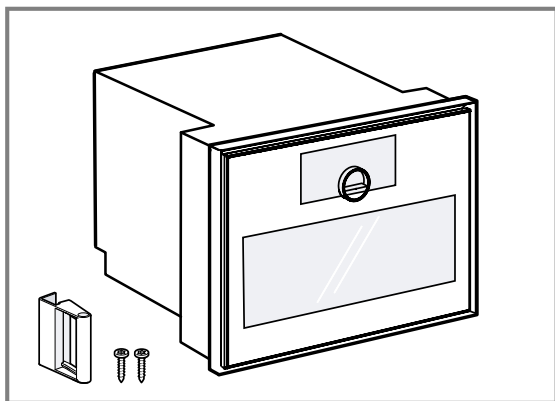


2 Antes de empezar

Leer estas instrucciones antes de comenzar la instalación del aparato.
Este manual de instalación abarca varios modelos. Todos los gráficos son representativos. La apariencia y las funciones del aparato pueden variar.

2.1 Partes incluidas

Después de desembalar el aparato, verifique que todas las piezas no presenten daños ocasionados durante el transporte, así como que el volumen de suministro esté completo.



2.2 Herramientas y partes necesarias

Preparar los siguientes accesorios y herramientas antes de comenzar la instalación del aparato.

- Lápiz
- Cinta métrica
- Sierra caladora
- Nivel
- Desarmador de estrella T20

2.3 Requisitos de potencia y de conexión a tierra

El contacto para el enchufe debe incorporar una conexión a tierra adecuada de conformidad con todas las normas aplicables.

Zona de salida

Asegurarse de que el enchufe se encuentre fuera de la abertura del gabinete.

3 Retirar el embalaje

AVISO

Para evitar daños en el suelo, dejar la unidad en su base de embalaje hasta que esté lista para colocarla en la abertura del gabinete. No deslizar la unidad por el piso.

1. Cortar las correas del exterior de la caja.

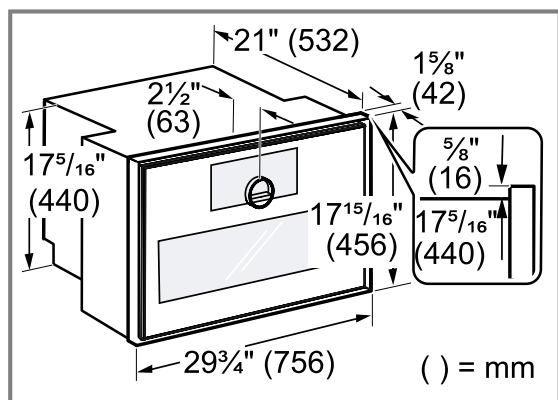
2. Sacar la caja de cartón.
3. Retirar todo el cartón de la parte superior y lateral, así como los soportes de poliestireno.
4. Colocar el horno delante del gabinete en el que se vaya a montar.

Nota: Los soportes de empaquetado permanecen en la base del embalaje.

4 Requisitos de instalación

Leer las presentes instrucciones para preparar el espacio de instalación del aparato.

4.1 Medidas del aparato



4.2 Peso del aparato

El gabinete de base debe poder soportar el peso del aparato, según se especifica en la tabla siguiente.

Modelo	Peso
GS460720	113 lb (51 kg)
GS461720	

4.3 Requisitos de ubicación

- El gabinete en el que se monte el aparato debe resistir temperaturas de 195 °F (90 °C), y los frentes de los gabinetes adyacentes deben resistir hasta 160 °F (70 °C).
- No es posible modificar el lado de las bisagras de la puerta.
- La distancia del borde frontal del gabinete al panel de la puerta es de 1 7/8" (42 mm).

- Al planificar una solución en ángulo, prever un ángulo de apertura de la puerta de al menos 97°.
- Tener en cuenta el saliente del frontal a la hora de abrir los cajones situados junto al aparato.
- No montar ningún otro aparato eléctrico en el gabinete situado por encima del aparato.
- No instalar un fregadero sobre este aparato.
- Si se monta encima de una cafetera automática, utilizar la superficie intermedia o la placa metálica de fijación. La superficie intermedia y la placa metálica

de fijación pueden adquirirse en el servicio al cliente o en la tienda en línea.

- Si se montan dos aparatos uno encima de otro directamente al lado de una cafetera automática, utilizar la superficie intermedia o la placa metálica de fijación entre los cuatro aparatos.
- Solo montar el aparato a una altura tal que permita al cliente retirar los accesorios con facilidad.
- La base del gabinete debe ser plana y capaz de soportar el peso del aparato.
- NO obstruir las aberturas de ventilación del horno.

5 Antes de la instalación

Llevar a cabo los siguientes pasos para preparar el aparato para su instalación.

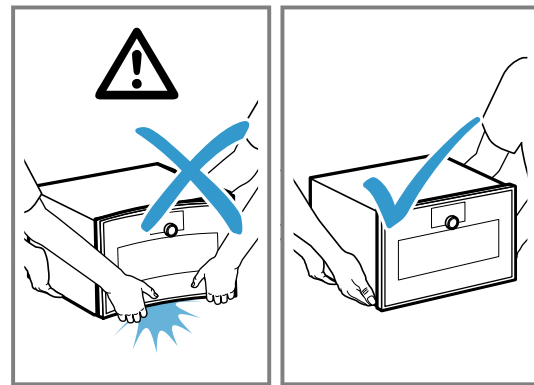
5.1 Preparación del gabinete

1. Realizar los trabajos de corte en los gabinetes y, a continuación, insertar el aparato.
2. Realizar los trabajos de corte en el gabinete.
3. Después de realizar los recortes, eliminar las virutas, ya que estas pueden interferir en el funcionamiento de los componentes eléctricos.
4. Fijar los gabinetes independientes a la pared con una placa de fijación convencional.
5. No cubrir las ranuras de ventilación ni las aberturas de entrada de aire.
6. Extraer el panel posterior del gabinete detrás del aparato o realizar un recorte suficiente en la superficie intermedia.
7. Mantener un espacio libre de al menos 1¾" (45 mm) entre la pared y la base del gabinete o del panel posterior del gabinete situado por encima.

5.2 Mover el aparato

Agarrar el aparato por el marco del aparato puede provocar que se doble. El marco del aparato no está diseñado para soportar el peso del aparato.

- ▶ No levantar el aparato sujetándolo por el marco del aparato. Levantar siempre el aparato sujetándolo por la carcasa.



6 Superficies intermedias ajustables con placas de fijación

Hay disponible una base intermedia ajustable con placas de fijación (GA301010) para el aparato.

AVISO

Si se montan aparatos sobre la superficie intermedia con placas de fijación demasiado pesadas, la superficie intermedia puede doblarse.

- ▶ No montar la superficie intermedia con placas de fijación debajo de un horno.
- Si se si no se instala correctamente el aparato en un falso suelo GA301010, este podría doblarse.
- ▶ No colocar el aparato en ángulo en el hueco de la superficie intermedia.
- ▶ Deslizar el aparato en el gabinete en alto en paralelo a los paneles laterales del hueco de encastre.

Nota: No montar un microondas debajo de una cafetera automática.

Montar la bandeja de cocción al vapor únicamente con placas de fijación:

- Debajo de un horno combinado de vapor de la misma serie.
- Debajo de un microondas de la misma serie.

- Debajo de una cafetera automática que se monte sobre un horno de la misma serie.
- Debajo de una cafetera automática que se monte sobre un horno combinado de vapor de la misma serie.

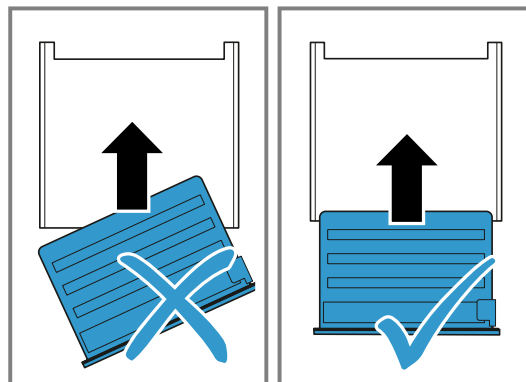
No montar la bandeja de cocción al vapor con placas de fijación:

- Debajo de un horno.
- Entre dos cafeteras automáticas que vayan a montarse una encima de otra.
- Encima de un horno combinado de vapor de la misma serie.

6.1 Montar el aparato sobre superficies intermedias con placas de fijación

- ▶ No colocar el aparato en ángulo en el hueco de la superficie intermedia con placas de fijación. Deslizar

el aparato en el gabinete en alto en paralelo a los paneles laterales del hueco de encastre.



7 Conexión eléctrica

Leer las presentes instrucciones para conectar con seguridad el aparato al suministro eléctrico.

7.1 Requisitos eléctricos

Es preciso asegurarse de que la instalación eléctrica sea compatible con los siguientes requisitos.

⚠ ADVERTENCIA;

Antes de realizar la instalación, desconectar la alimentación eléctrica en el panel de servicio.

- ▶ Bloquear el panel de servicio para impedir que se conecte accidentalmente la alimentación eléctrica.

UNA PUESTA A TIERRA INCORRECTA PUEDE CAUSAR UNA DESCARGA ELÉCTRICA.

- ▶ Consulte a un electricista calificado si no comprende la totalidad de las instrucciones de conexión a tierra o si tiene alguna duda respecto de si el aparato está correctamente conectado a tierra.
- ▶ Si el cable de alimentación es demasiado corto, solicite a un electricista calificado que instale una toma de corriente cerca del aparato.
- ▶ **NO USAR UN CABLE DE EXTENSIÓN.**

El aparato debe recibir una voltaje y una frecuencia adecuadas y debe estar conectado a un circuito dedicado independiente y con su correcta conexión a tierra, protegido por un breaker o un fusible. Para saber qué tipo de breaker o de fusible requiere cada modelo, véase la placa de características, en la que se menciona el consumo de potencia en vatios, y consultar la tabla de clasificaciones para conocer el amperaje necesario del breaker o del fusible.

⚠ ADVERTENCIA;

Las normas locales pueden variar.

- ▶ La instalación, las conexiones eléctricas y la conexión a tierra deben cumplir con todas las normas locales correspondientes.

Suministro eléctrico	208/240 V de CA, 60 Hz, de 3 hilos (tres cables)
Breaker interruptor del circuito	15 A

Conducto	flexible de 48" de 3 cables
Capacidad nominal	Consultar la placa de características → "Ubicación de la placa de características del aparato", Página 38

- Especificaciones de circuito: circuito específico de 208/240 V de CA, 60 Hz, 15 A, de 3 hilos (tres cables), con conexión a tierra desde el panel.
- El contacto para el enchufe debe estar puesto a tierra de forma adecuada, en conformidad con todas las normas aplicables.
- Es responsabilidad del instalador cumplir con las normas locales. Si ningún código local aplica, realice la conexión según el Código Nacional Eléctrico (o Código Eléctrico Canadiense), la norma 70 del Instituto Nacional de Normalización Estadounidense (American National Standards Institute, ANSI)/ Asociación Nacional de Protección contra el Fuego (National Fire Protection Association, NFPA) - última edición.
- El radio mínimo de curvatura del conducto flexible es 6" (152 mm).
- El suministro eléctrico debe ser de CA monofásica, de 3 hilos (tres cables). Instalar una caja de conexiones adecuada (no está incluida).

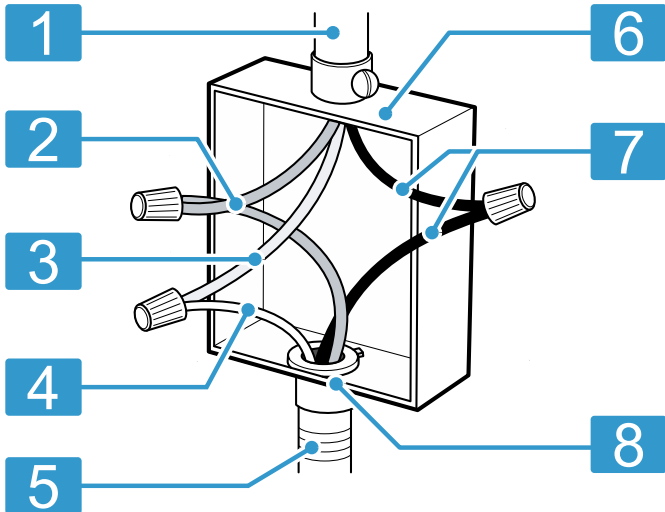
7.2 Enrutado del tubo pasacables eléctrico

Requisitos

- Se debe haber preparado un orificio en el gabinete para enrutar el conducto eléctrico del horno a la caja de conexiones.
- Debe garantizarse que sea posible acceder para tareas de mantenimiento. No se debe acortar el tubo pasacables eléctrico. Enrutar el tubo pasacables eléctrico de modo que se pueda extraer temporalmente el horno.
- ▶ El conducto de cables de electricidad gira en el punto en el que se conecta al horno. Girar el conducto de cables de electricidad hacia arriba o hacia abajo y dirigirlo a través del orificio preparado en el gabinete para ese propósito.

7.3 Instalación de una conexión de tres cables

1. Para facilitar las condiciones que permitan realizar un buen servicio técnico y para asegurar la seguridad de la instalación, el conducto flexible no debe acortarse y debe enrutarse de manera que permita retirar temporalmente el horno.



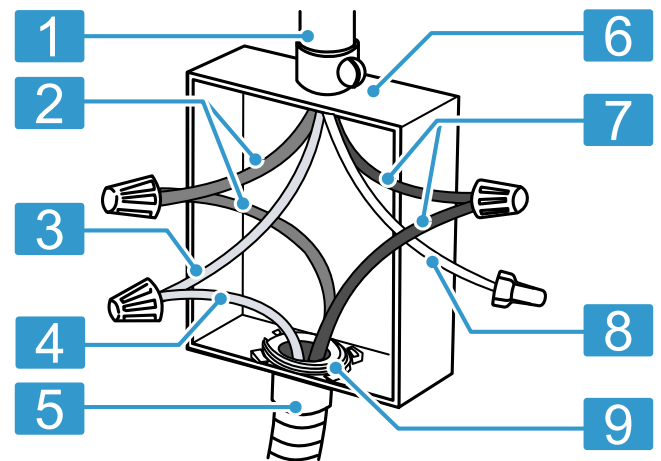
- | | |
|---|---|
| 1 | Cable de alimentación eléctrica doméstica |
| 2 | Cables rojos |
| 3 | Cable verde o cable desnudo procedente de la alimentación eléctrica doméstica |
| 4 | Cable verde de conexión a tierra procedente del horno |
| 5 | Conducto flexible de tres cables procedente del horno |
| 6 | Caja de conexiones certificada UL o aprobada CSA |
| 7 | Cables negros |
| 8 | Tubo conector certificado por UL o CSA |

2. Conectar el cable rojo desde el horno hasta el cable rojo del suministro eléctrico (cable con corriente).
3. Conectar el cable negro desde el horno hasta el cable negro del suministro eléctrico (cable con corriente).
4. Conectar el cable de conexión a tierra verde procedente del horno al cable de conexión a tierra verde o desnudo del suministro eléctrico.

7.4 Instalación de una conexión de cuatro cables

Neutro sin conexión a tierra

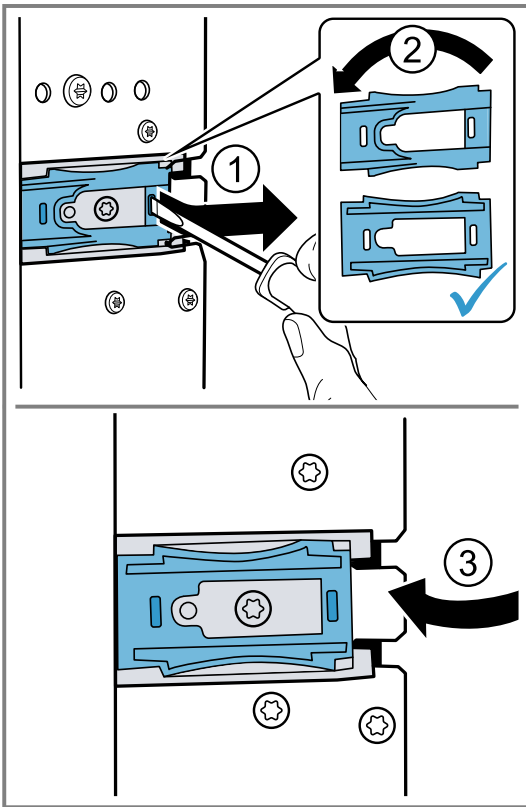
1. **IMPORTANTE:** utilizar la conexión de cuatro cables del suministro eléctrico doméstico en EE. UU. en aquellas ubicaciones en que las normativas locales no permitan la conexión del neutro a tierra, en nuevas instalaciones de circuitos derivados (1996 NEC), casas rodantes y vehículos recreativos, nuevas construcciones y en Canadá.
2. Para facilitar las condiciones que permitan realizar un buen servicio técnico y para asegurar la seguridad de la instalación, el conducto flexible no debe acortarse y debe enrutarse de manera que permita retirar temporalmente el horno.



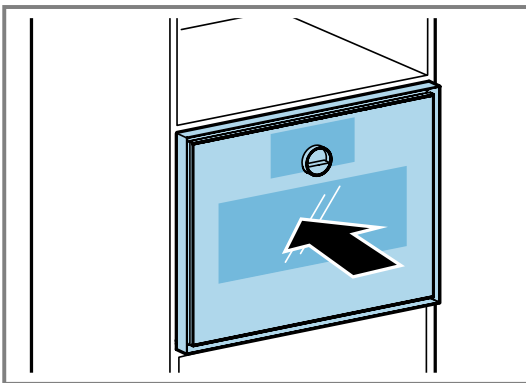
- | | |
|---|---|
| 1 | Cable de alimentación eléctrica doméstica |
| 2 | Cables rojos |
| 3 | Cable verde o cable desnudo procedente de la alimentación eléctrica doméstica |
| 4 | Cable verde de conexión a tierra procedente del horno |
| 5 | Conducto flexible de tres cables procedente del horno |
| 6 | Caja de conexiones certificada UL o aprobada CSA |
| 7 | Cables negros |
| 8 | Cable blanco |
| 9 | Tubo conector certificado por UL o CSA |

3. Conectar el cable rojo desde el horno hasta el cable rojo del suministro eléctrico (cable con corriente).
4. Conectar el cable negro desde el horno hasta el cable negro del suministro eléctrico (cable con corriente).
5. Conectar el cable de conexión a tierra verde procedente del horno al cable de conexión a tierra verde o desnudo del suministro eléctrico.

8. Si el grosor de los paneles laterales del gabinete es de $\frac{3}{4}$ " (19 mm), retirar los elementos de plástico blanco ①, girarlos 180° ② y volver a colocarlos ③.



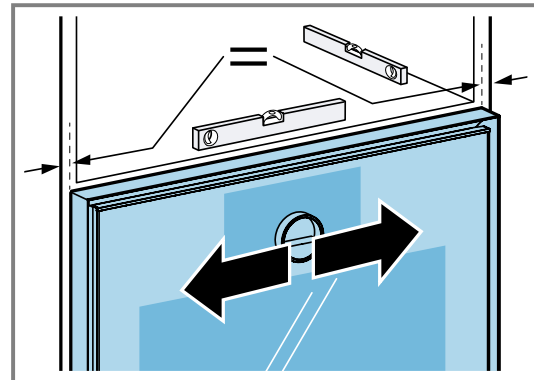
9. Empujar el aparato para que encaje completamente en el gabinete de montaje.
 ▶ No doblar ni atrapar el cable de conexión.



10. Centrar el aparato.

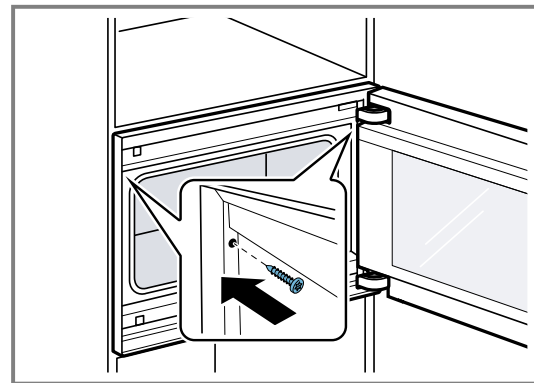
Debe haber una separación para ventilación de al menos $\frac{3}{16}$ " (5 mm) entre el aparato y los frentes de los gabinetes adyacentes.

11. Con un nivel de burbuja, ajustar el aparato para que esté perfectamente nivelado.



12. Abrir la puerta del aparato.

13. Fijar el aparato al gabinete con los tornillos suministrados.



14. Retirar el perno de transporte (de plástico rojo) de la pestaña superior de la puerta.

15. Retirar cualquier material de empaque o lámina adhesiva de la cavidad del aparato y de la puerta.

9 Alinear la puerta del aparato

La puerta del aparato ya está alineada cuando se entrega. No suele ser necesaria una alineación. Si se montan varios aparatos uno al lado del otro o uno encima de otro, alinear la puerta del aparato.

- Corregir la altura de la puerta del aparato
→ *Página 35*
- Cambiar el ángulo de apertura de la puerta
→ *Página 35*

9.1 Corregir la altura de la puerta del aparato

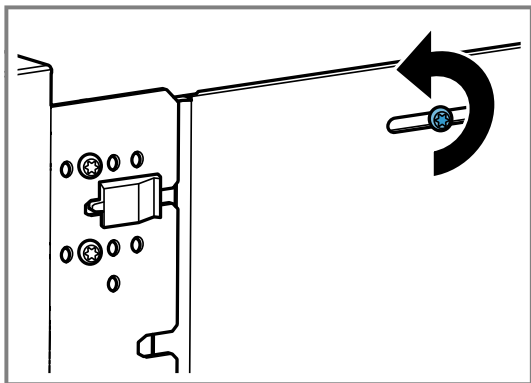
1. Jalar ligeramente el aparato hacia afuera de su hueco de encastre.

2. Desatornillar los dos tornillos del costado del aparato.
3. Abrir la puerta del aparato.
4. Girar el desarmador hexagonal en cualquier sentido para corregir la altura del aparato.
5. Apretar los dos tornillos del costado del aparato.
6. Deslizar el aparato en el hueco de encastre.

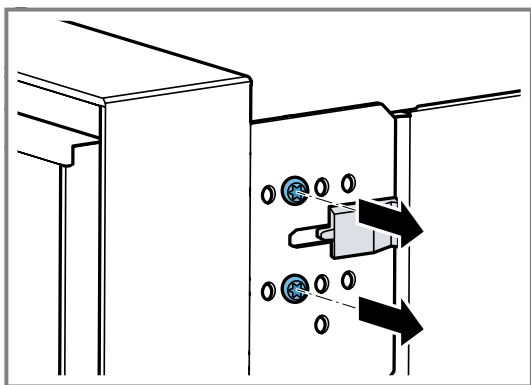
9.2 Cambiar el ángulo de apertura de la puerta

Hay dos ángulos de apertura disponibles para la puerta del aparato.

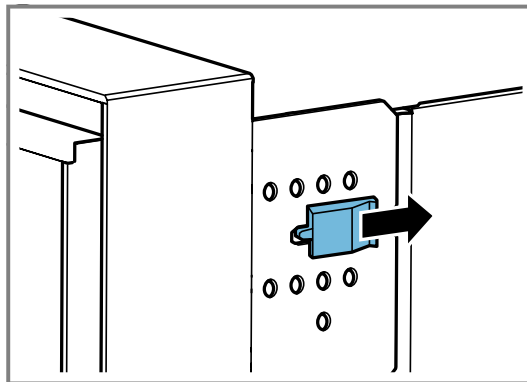
1. Jalar ligeramente el aparato hacia afuera de su hueco de encastre.
2. Aflojar ligeramente el tornillo del lado derecho en la parte trasera del aparato.



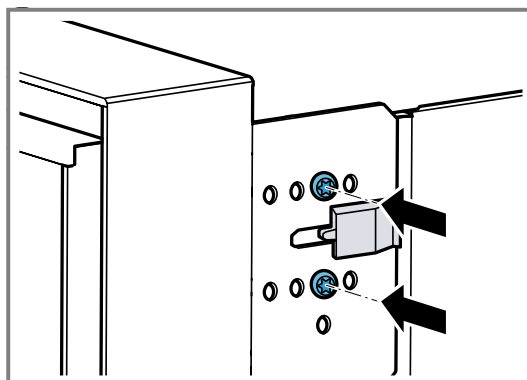
3. Retirar los dos tornillos de la parte frontal del elemento de plástico negro.



4. Deslizar el elemento de plástico negro hacia la derecha.



5. Atornillar los dos tornillos en los orificios situados más a la derecha del aparato.



Entre más a la derecha se atornillen los tornillos en el aparato, menor será el ángulo de apertura de la puerta.

Cuando los tornillos están colocados a la derecha, el ángulo de apertura de la puerta del aparato es de aproximadamente 97°.

10 Combinar el aparato con un horno

1. Combinar solo aparatos adecuados que pertenezcan a la misma marca y la misma serie.
2. Montar primero el horno combinado de vapor y, a continuación, el horno.
3. Si se monta el aparato al lado de un horno, asegurarse de que las puertas de los aparatos se abren en direcciones opuestas.

11 Combinar el aparato con una cafetera automática

1. Combinar solo aparatos adecuados que pertenezcan a la misma marca y la misma serie.
2. Seguir las instrucciones de montaje de la cafetera automática y de la falsa base.
3. Si se monta encima de una cafetera automática, utilizar la superficie intermedia o la placa metálica de fijación. La superficie intermedia y la placa metálica de fijación pueden adquirirse en el servicio al cliente y en la tienda en línea.
4. Si se montan dos aparatos uno encima de otro directamente al lado de una cafetera automática, utilizar la superficie intermedia o la placa metálica de fijación entre los cuatro aparatos.

12 Combinar el aparato con un cajón calentaplatos

AVISO

Los bordes afilados del aparato pueden dañar el panel frontal del cajón calentaplatos.

- ▶ Tener cuidado de no dañar el panel frontal del cajón calentaplatos al introducir el aparato.
- ▶ Antes de montar otro aparato, abrir el cajón de calentamiento, colocar un trapo en el panel frontal y cerrar el cajón para proteger el panel frontal del cajón contra posibles daños.

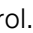
1. Combinar solo aparatos adecuados que pertenezcan a la misma marca y la misma serie.
2. Montar primero el cajón calentaplatos.
3. Tener en cuenta las instrucciones de montaje del cajón calentaplatos.
4. Introducir el aparato en el cajón calentaplatos del armario empotrado.

13 Combinar el aparato con un microondas

1. Combinar solo aparatos adecuados que pertenezcan a la misma marca y la misma serie.
2. Montar primero el microondas y, luego, el horno combinado de vapor.

14 Comprobación del funcionamiento

Una vez completados los pasos de instalación, comprobar si la unidad funciona correctamente.

1. Encender la energía eléctrica en el interruptor automático.
2. Presionar  en el anillo de control.
- ✓ El indicador muestra el logotipo de GAGGENAU durante unos 30 segundos y luego "Inicio".
3. Ajustar el idioma.
4. Seguir las indicaciones del asistente de montaje en el indicador.
 - ▶ Presionar → o girar el anillo de control.

5. Seleccionar los ajustes para la "Altura de montaje".
6. Alinear el indicador horizontal o verticalmente en función de la posición de montaje o de la estatura del usuario principal.
7. Desactivar el modo demo.
8. Seleccionar un modo de calefacción para probar el horno. Véase el manual de usuario para consultar las instrucciones de funcionamiento detalladas.
9. Comprobar que se enciende la luz del horno y que el horno comienza a precalentar.

15 Retirar el aparato

1. Desconectar el aparato del suministro eléctrico.
2. Desenroscar los tornillos de sujeción.
3. Levantar ligeramente el aparato y sacarlo por completo.

16 Servicio de atención al cliente

En cada reparación cubierta por la garantía, nos aseguramos de que su aparato sea reparado con repuestos originales por un proveedor de servicio capacitado y autorizado. Solo utilizamos repuestos originales para todos los tipos de reparaciones. Nuestro servicio al cliente le proporcionará piezas de repuesto originales, funcionales y disponibles en inventario hasta 15 años a partir de la fecha de introducción del aparato en el mercado.

Para más información, contactar con nuestro servicio al cliente.

Las informaciones detalladas sobre el periodo de validez de la garantía y las condiciones de garantía las podrá encontrar en nuestras condiciones de garantía, con su distribuido o en nuestra página web.

Las fuentes de luz se encuentran disponibles como repuesto y su sustitución solo la puede llevar a cabo personal cualificado.

USA:

1-877-442-4436

www.gaggenau.com

www.gaggenau.com/us/appliances/eshop

CA:

1-877-442-4436

www.gaggenau.com

www.gaggenau.ca

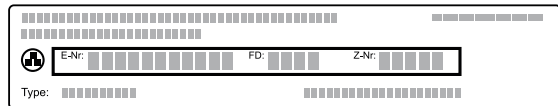
Aquí podrá encontrar ayuda para la conexión con Home Connect®:

www.home-connect.com/us/en/help-support/set-up

16.1 Número de modelo (E-Nr.), número de fabricación (FD) y número de conteo (Z-Nr.)

El número de modelo (E-Nr.), el número de fabricación (FD) y el número de conteo (Z-Nr.) se encuentran en la placa de características del aparato.

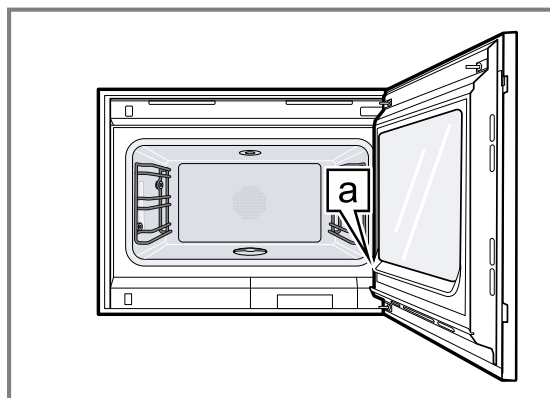
La placa de características con los correspondientes números se encuentra al abrir la puerta del aparato.



Para volver a encontrar rápidamente los datos del aparato o el número de teléfono del servicio de atención al cliente, puede anotar dichos datos.

16.2 Ubicación de la placa de características del aparato

La placa de características se encuentra en el marco de la puerta cerca de la bisagra inferior del marco de la puerta.



a Placa de características

The difference is Gaggenau

gaggenau.com

BSH Home Appliances Corporation

1901 Main Street, Suite 600

Irvine, CA 92614

USA

www.gaggenau.com

1-877-442-4436

© 2026 BSH Home Appliances Corporation



9001962466 (060401)

en-us, fr-ca, es-mx