

en-us	Installation instructions	2
fr-ca	Instructions d'installation	11
es-mx	Instrucciones de montaje	20

Warming drawer

Warming drawer

Tiroir-réchaud

Cajón calentador

GW483720

Table of contents

1	IMPORTANT SAFETY INSTRUCTIONS	3
1.1	Safety definitions	3
1.2	IMPORTANT SAFEGUARDS	3
1.3	General safety instructions	3
1.4	Appliance handling safety	3
1.5	Safety codes and standards	3
1.6	Electrical safety	4
1.7	State of California Proposition 65 Warnings	4
2	BEFORE YOU BEGIN	5
2.1	Parts included	5
2.2	Tools and parts needed	5
2.3	Power requirements and grounding	5
3	INSTALLATION REQUIREMENTS	5
3.1	Location requirements	5
3.2	Appliance dimensions	5
3.3	Installation dimensions	5
3.4	Combining with other appliances	6
3.5	Electrical requirements	6
4	PRIOR TO INSTALLATION	6
4.1	Installing the anti-tip bracket	6
5	INSTALLATION	7
5.1	Installing the appliance into the cabinet	7
5.2	Adjusting the front panel	8
5.3	Adjusting the front panel to be flush	8
6	COMBINING THE WARMING DRAWER WITH ANOTHER APPLIANCE	8
7	TESTING THE OPERATION	8
8	Customer Service	9
8.1	Model number (E-Nr.), production number (FD) and consecutive numbering (Z-Nr.)	9
8.2	Rating plate location	9
9	WIRING DIAGRAM	10



IMPORTANT SAFETY INSTRUCTIONS

READ AND SAVE THESE INSTRUCTIONS

Read all of the instructions carefully before using the appliance. In order to reduce the risk of fire, electric shocks and personal injuries when using the appliance, follow the basic safety precautions, including the following safety instructions.

1.1 Safety definitions

Here you can find explanations of the safety signal words used in this manual.

WARNING

This indicates that death or serious injuries may occur as a result of non-observance of this warning.

CAUTION

This indicates that minor or moderate injuries may occur as a result of non-observance of this warning.

NOTICE

This indicates that damage to the appliance or property may occur as a result of non-compliance with this advisory.

Note: This alerts you to important information.

1.2 IMPORTANT SAFEGUARDS

WARNING

When using electrical appliances, basic safety precautions should always be followed including the following:

- ▶ Read all instructions.
- ▶ Do not touch hot surfaces. Use the touch keys on the control panel.
- ▶ To protect against electrical shock do not immerse the power cord or plugs in water or other liquids.
- ▶ Close supervision is necessary when any appliance is used by or near children.
- ▶ Allow to cool before putting on or taking off parts.
- ▶ Do not operate any appliance with a damaged cord or plug, or after the appliance malfunctions or has been damaged in any manner. Return the appliance to the nearest authorized service provider for examination, repair, or adjustment.
- ▶ Do not use the appliance outdoors.
- ▶ Do not let the power cord touch hot surfaces.
- ▶ Extreme caution must be used when opening the drawer if it contains a receptacle with hot liquids.
- ▶ Always attach the plug to appliance first, then plug the power cord into the wall outlet. To disconnect, turn any control to "off", then remove the plug from wall outlet.
- ▶ Do not use the appliance for other than its intended use.
- ▶ Save these instructions.

1.3 General safety instructions

IMPORTANT: SAVE THESE INSTRUCTIONS FOR THE LOCAL ELECTRICAL INSPECTOR'S USE.

OWNER: PLEASE RETAIN THESE INSTRUCTIONS FOR FUTURE REFERENCE.

Examine the appliance after unpacking it. In the event of transport damage, do not plug it in.

WARNING

If the information in this manual is not followed exactly, fire or shock may result causing property damage or personal injury.

Do not repair, replace or remove any part of the appliance unless specifically recommended in the manuals. Improper installation, service or maintenance can cause injury or property damage.

- ▶ Refer to this manual for guidance.
- ▶ All other servicing should be done by an authorized service provider.

Never modify or alter the construction of the appliance.

- ▶ For example, do not remove leveling legs, panels, wire covers or anti-tip brackets/screws.

WARNING

Remove all tape and packaging before using the appliance.

- ▶ Destroy the packaging after unpacking the appliance.
- ▶ Dispose of packaging in an environmentally responsible manner.
- ▶ Never allow children to play with packaging material.

WARNING

To reduce the risk of fire, do not place any heating or cooking appliance beneath the appliance.

To reduce the risk of fire, do not mount the appliance over or near any portion of a heating or cooking appliance.

WARNING

To reduce the risk of electric shock, do not mount the appliance over a sink.

1.4 Appliance handling safety

WARNING



Unit is heavy and requires at least two people or proper equipment to move.

- ▶ Do not lift the appliance by the door or front panel.

WARNING



Hidden surfaces may have sharp edges.

- ▶ Use caution when reaching behind or under appliance.

1.5 Safety codes and standards

This appliance complies with the latest version of one or more of the following standards:

- CAN/CSA C22.2 No. 64 - Household Cooking and Liquid- Heating Appliances
- UL 1026 - Electric Household Cooking and Food Serving Appliances

It is the responsibility of the owner and the installer to determine if additional requirements and/or standards apply to specific installations.



IMPORTANT SAFETY INSTRUCTIONS

READ AND SAVE THESE INSTRUCTIONS

1.6 Electrical safety

- **Installer** - show the owner the location of the circuit breaker or fuse. Mark it for easy reference.
- If required by the National Electrical Code (or Canadian Electrical Code), this appliance must be installed on a separate branch circuit.
- Local codes vary. The installer is responsible for ensuring that the installation, connections, and grounding comply with all applicable codes. The manufacturer is not responsible for any issues associated with the improper installation of this product.
- Refer to the rating plate for more information.
→ "Rating plate location", Page 9

WARNING

Before installing, turn power OFF at the service panel.

- ▶ Lock service panel to prevent power from being turned ON accidentally.

For appliances equipped with a cord and plug, do not cut or remove the ground prong.

- ▶ It must be plugged into a matching grounding type receptacle to avoid electrical shock.
- ▶ If there is any doubt as to whether the wall receptacle is properly grounded, the customer should have it checked by a qualified electrician.

GROUNDING INSTRUCTIONS

- ▶ This appliance must be grounded.
- ▶ Grounding reduces the risk of electric shock by providing a safe pathway for electric current in the event of a short circuit.
- ▶ Be sure your appliance is properly installed and grounded by a qualified technician.
- ▶ Installation, electrical connections and grounding must comply with all applicable codes.

Do not use an extension cord. If the power supply cord is too short, have a qualified electrician install an outlet near the appliance.

1.7 State of California Proposition 65

Warnings

This product may contain a chemical known to the State of California, which can cause cancer or reproductive harm. Therefore, the packaging of your product may bear the following label as required by California:

STATE OF CALIFORNIA PROPOSITION 65 WARNING:



WARNING

Cancer and Reproductive Harm - www.P65Warnings.ca.gov

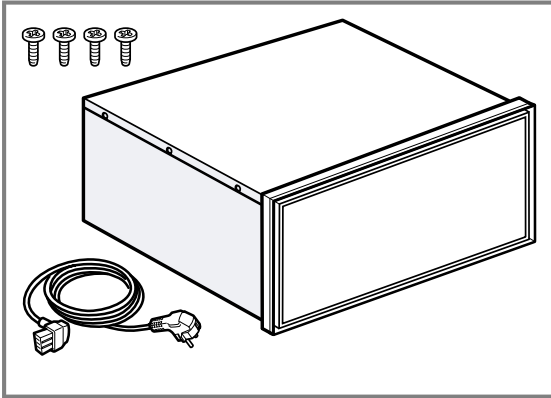
2 Before you begin

Read these instructions before you begin to install your appliance.

All graphics are representative. Your appliance may vary in appearance and features.

2.1 Parts included

After unpacking all the parts, check for any damage in transit and for completeness of delivery.



2.2 Tools and parts needed

Prepare these tools and accessories before you start to install your appliance.

- Pencil
- Measuring tape
- Level
- T20 star bit screwdriver
- Drill with bit $\frac{1}{8}$ "
- Safety gloves

2.3 Power requirements and grounding

The outlet must be properly grounded in accordance with all applicable codes.

3 Installation requirements

Read these instructions to prepare the installation space for your appliance.

3.1 Location requirements

Here you can find information about safe installation.

⚠ WARNING

Covering the ventilation slots and air intake openings causes the appliance to overheat.

- ▶ Do not cover ventilation slots and air intake openings.

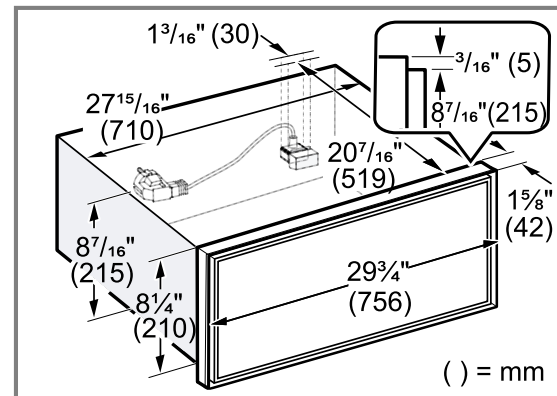
⚠ CAUTION

When the drawer is opened, the appliance may tip over.

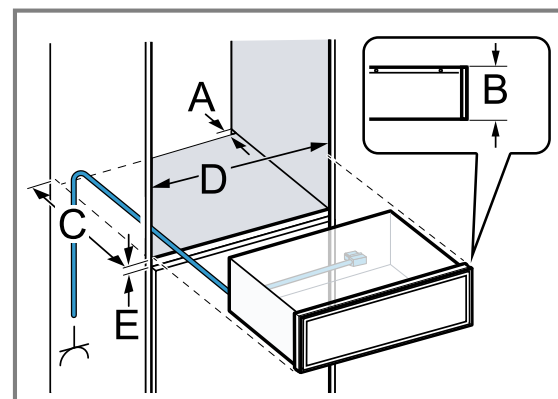
- ▶ Provide a fixed intermediate floor above the appliance inside the kitchen cabinet.
- ▶ When combined with an oven, provide a fixed intermediate floor above the oven.

The kitchen cabinet may not have a rear panel behind the appliance.

3.2 Appliance dimensions



3.3 Installation dimensions



A $1\frac{3}{8}$ " (35 mm)

B	$8\frac{7}{16}'' + \frac{1}{16}''$ (215+2 mm)
C	$\geq 21\frac{5}{8}''$ (550 mm)
D	$28\frac{7}{16}'' + \frac{5}{16}''$ (722+8 mm)
E	$\geq \frac{3}{23}''$ (2 mm)

Installing an intermediate floor is optional. Check whether an anti-tip bracket → *Page 6* is required.
→ *"Combining with other appliances", Page 6*

3.4 Combining with other appliances

You can combine the warming drawer with a maximum of one more appliance from the same appliance series. No intermediate floor is required between the appliances.

When installing the appliance under an oven, combi-steam oven or steam oven, no tilt protection is required. When installing the appliance under the fully automatic coffee machine, install the tilt protection for the fully automatic coffee machine.

For the following combinations, install the tilt protection on the warming drawer:

- Warming drawer separately, including when installing below an intermediate floor
- Warming drawer below microwave
- Warming drawer below cooktop
- Warming drawer with warming drawer, at least on the upper appliance
- Warming drawer with accessory drawer, at least on the upper appliance

- Warming drawer with vacuuming drawer, at least on the upper appliance

A suitable anti-tip bracket can be obtained from Customer Service, on our website or in the online shop.
→ *"Installing the anti-tip bracket", Page 6*

3.5 Electrical requirements

⚠ WARNING

IMPROPER GROUNDING CAN RESULT IN A RISK OF ELECTRIC SHOCK.

- ▶ Consult a qualified electrician if the grounding instructions are not completely understood, or if doubt exists as to whether the appliance is properly grounded.
- ▶ If the power cord is too short, have a qualified electrician install an outlet near the appliance.
- ▶ DO NOT USE AN EXTENSION CORD.

The branch-circuit breakers ampacity, the wire sizes and the connections must conform to the requirements of the National Electrical Code or Canadian Electrical Code and all local codes and ordinances.

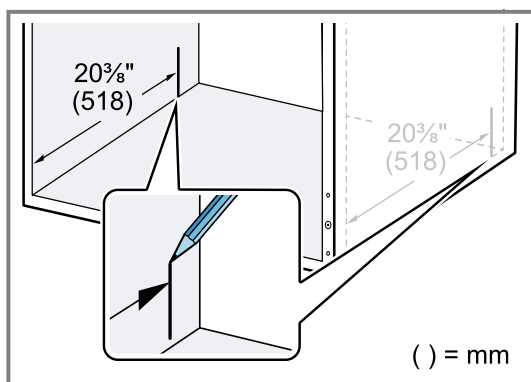
- The power outlet for the power cord must be easily accessible after the appliance is installed.
- The appliance must only be connected using the power cord provided. Connect the power cord to the back of the appliance.
- Power cords with various plug types are available from Customer Service.

4 Prior to installation

4.1 Installing the anti-tip bracket

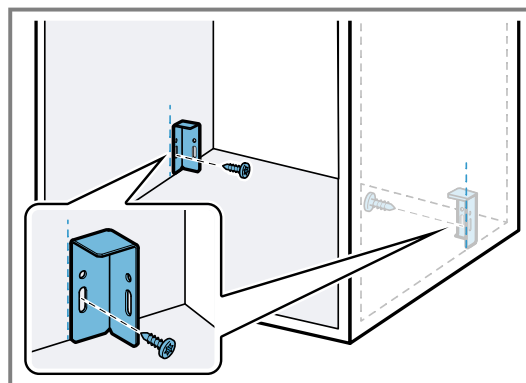
Suitable anti-tip brackets (order number: 12039458) can be obtained from Customer Service, on our website or in the online shop.

1. Measure a clearance of $20\frac{3}{8}''$ (518 mm) from the front edge of the cabinet and mark it on both sides inside the cabinet.



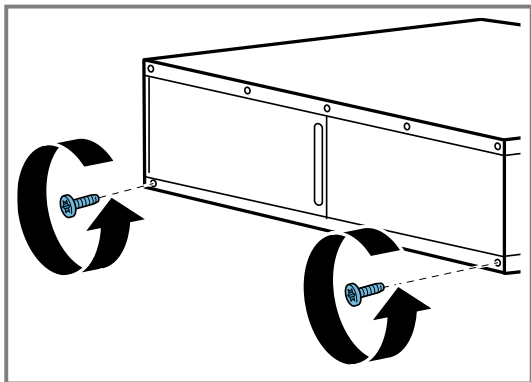
2. Align the 2 brackets at the mark.

3. Screw the 2 brackets through the elongated holes behind the mark.

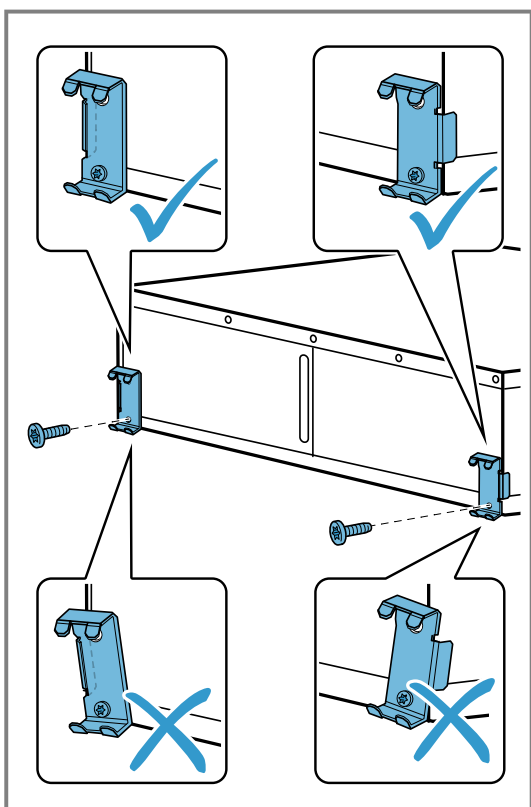


4. Place the appliance on a flat surface

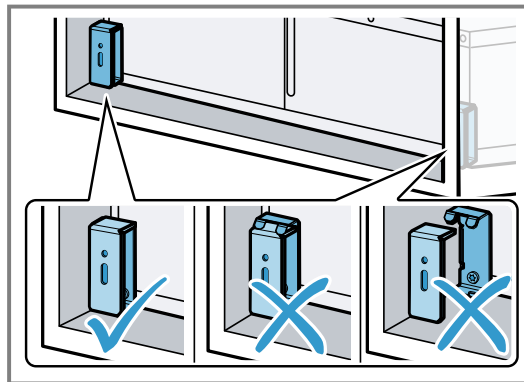
5. Unscrew the 2 lower screws on the back of the appliance.



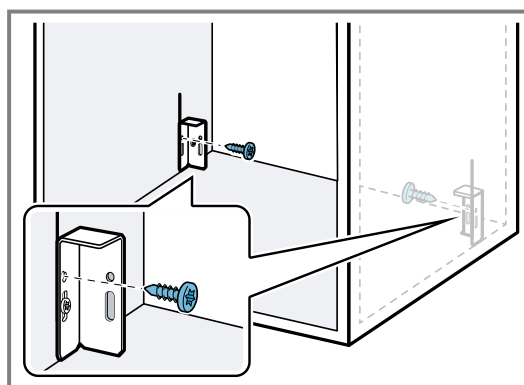
6. Use the 2 screws to tighten the 2 metal retainers on the back of the appliance. Ensure that the metal retainers are aligned exactly with the edge of the appliance.



7. Slide the appliance into the cabinet and check if the anti-tip brackets engage.



8. Remove the appliance from the cabinet.
9. If required, adjust the position of the anti-tip brackets at the elongated holes.
10. Screw the anti-tip brackets to the cabinet.



5 Installation

5.1 Installing the appliance into the cabinet

⚠ WARNING

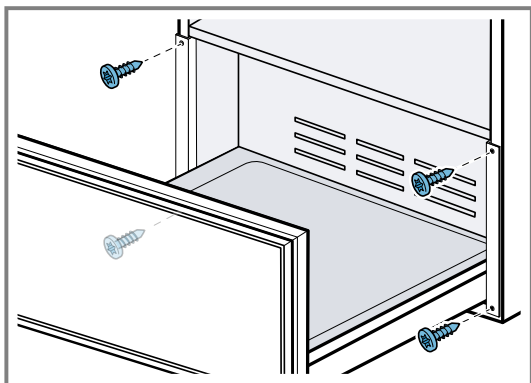
The appliance might tip when you open it.

- ▶ When installing the appliance without an intermediate floor, weigh it down with a suitable heavy object.

1. Insert the power cord fully into the appliance.
2. Push the appliance all the way into the cabinet and let the anti-tip brackets engage..
Note: Do not pinch the power cord.
3. Center the appliance.
4. Remove the adhesive strip from the appliance front.

5. Open the appliance carefully and check whether the anti-tip protection is working.

- Screw the appliance to the cabinet.

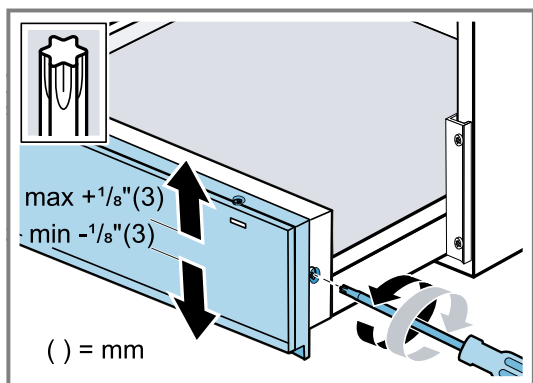


- Plug the power cord into a properly grounded outlet.
Note: The power cord must not touch the rear and base of the appliance after installation.

5.2 Adjusting the front panel

Adjust the front panel upwards or downwards if necessary.

- Open the appliance.
- Only loosen the screws at the side of the front panel - do not unscrew them completely.

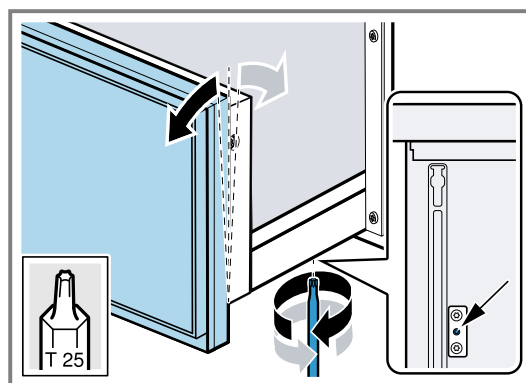


- Adjust the front panel up or down. You can adjust the front panel position by max. 1/8" (3 mm) in both directions.
- Fasten the screws.
 - If the screws do not tighten when screwed in tightly, loosen the screws fully, move the furniture panel upwards and downwards until the thread is visible.

5.3 Adjusting the front panel to be flush

If the front panel of the adjacent appliance is not flush with the front panel of the warming drawer, adjust the front panel of the warming drawer.

- Open the appliance.
- To align the front panel, loosen or tighten the centre screws on the left and right at the bottom of the warming drawer.
 - When the screws are loosened, the front panel moves outwards.
 - When the screws are tightened, the front panel moves inwards.



6 Combining the warming drawer with another appliance

NOTICE

Sharp edges on the appliance may damage the front panel of the warming drawer.

- Do not damage the front panel of the warming drawer when sliding the appliance in.
- Before installing another appliance, open the warming drawer, place a cloth over the front panel and close the warming drawer to protect the front panel of the warming drawer from damage.

- Only combine suitable appliances of the same brand and series.
- Observe the instructions for combining with other appliances. → Page 6
- Install the warming drawer first.
- Slide the appliance, on the warming drawer, into the installation cabinet.
- Observe the installation instructions for the appliance.
- Remove the cloth from the warming drawer.

7 Testing the operation

Check if your appliance is working properly after you have completed the installation steps.

- Turn on the power at the service panel.

- To test the warming drawer select an operating mode. See the Use and Care Manual for detailed operating instructions.
- Verify that the operating indicator is blinking and the warming drawer begins to preheat.

8 Customer Service

With any warranty repair, we will make sure your appliance is repaired by an authorized service provider using genuine replacement parts. We use only genuine replacement parts for all repairs.

You can obtain function-relevant and storable genuine spare parts from our Customer Service for up to 15 years from the date on which your appliance was placed on the market.

For more information, please contact our Customer Service team.

Detailed information on the warranty period and terms of warranty can be found in the Statement of Limited Product Warranty, from your retailer, or on our website.

USA:

1-877-442-4436

www.gaggenau.com

www.gaggenau.com/us/appliances/eshop

CA:

1-877-442-4436

www.gaggenau.com

www.gaggenau.ca

For assistance with connecting to Home Connect®, you can also view instructions here:

www.home-connect.com/us/en/help-support/set-up

8.1 Model number (E-Nr.), production number (FD) and consecutive numbering (Z-Nr.)

If you contact Customer Service, you will need the product number (E-Nr.), production number (FD), and con-

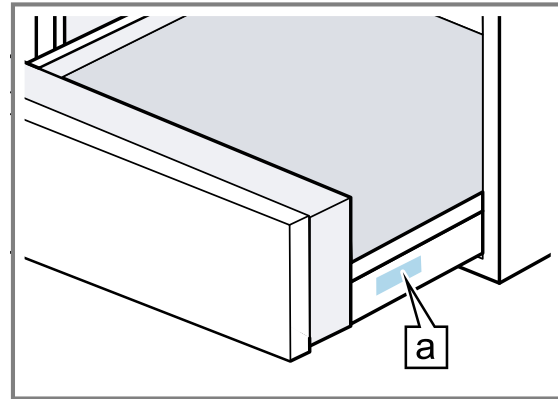
secutive numbering (Z-Nr.), which you can find on the appliance's rating label.

Making a note of your appliance's details and the Customer Service telephone number will enable you to find them again quickly.

8.2 Rating plate location

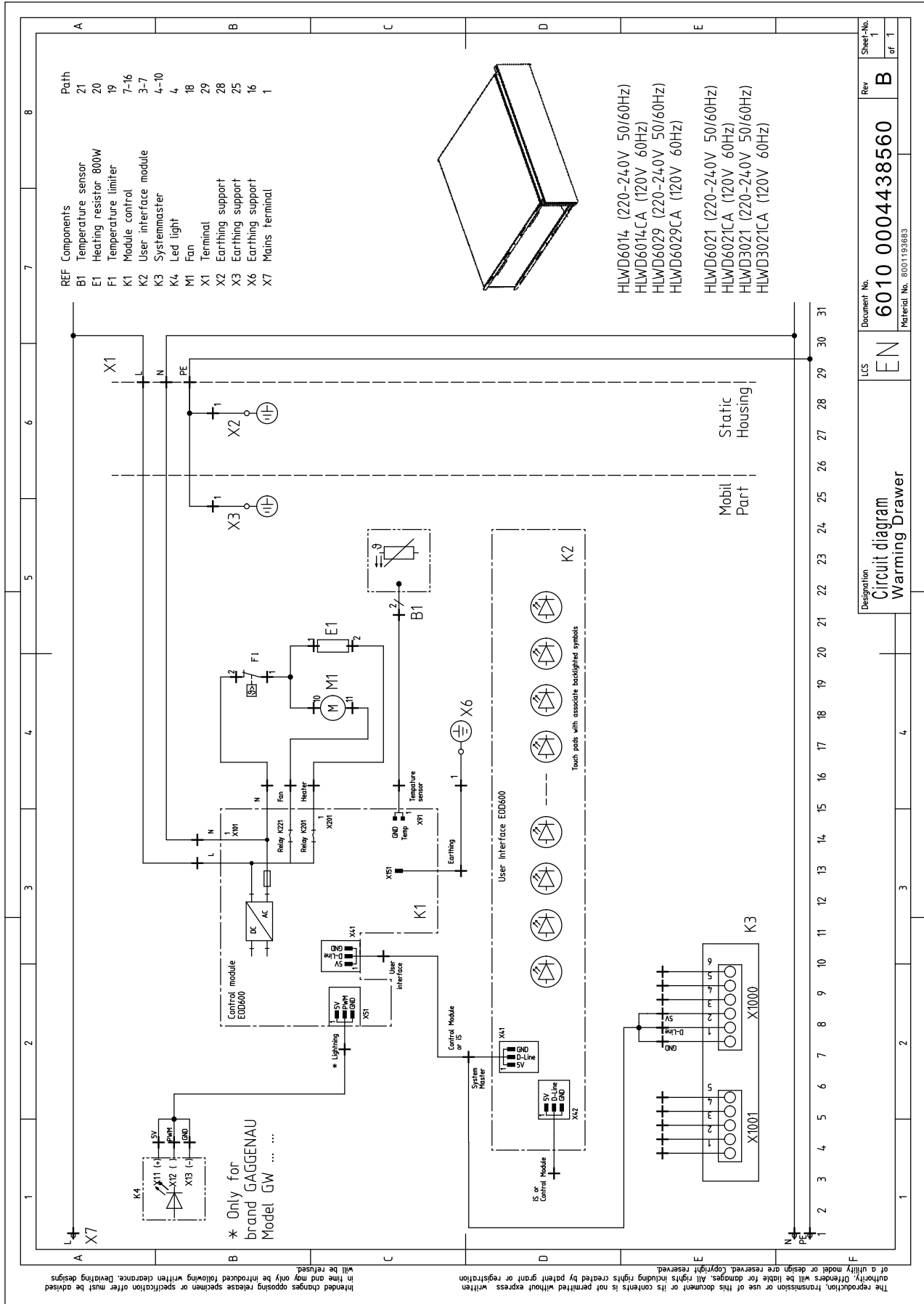
You can find the rating plate of your appliance:

- at the right side of the drawer. Open the drawer to view it.



a Rating plate

9 Wiring diagram



The reproduction, transmission or use of this document or its contents is not permitted without express written authority. Offenders will be liable for damages. All rights including rights of patent grant or registration in force and may only be introduced following written clearance. Deviating designs intended changes opposing release specimen or specification offer must be advised in time and may only be introduced following written clearance. Deviating designs will be refused.

Table des matières

1	IMPORTANTES CONSIGNES DE SÉCURITÉ	12
1.1	Définitions des termes de sécurité	12
1.2	CONSIGNES DE SÉCURITÉ IMPORTANTES	12
1.3	Consignes générales de sécurité	12
1.4	Manipulation sécuritaire des appareils	13
1.5	Codes et normes de sécurité	13
1.6	Sécurité électrique	13
1.7	Mises en garde conformément à la proposition 65 de l'État de Californie	13
2	AVANT DE COMMENCER	14
2.1	Pièces incluses	14
2.2	Outils et pièces nécessaires	14
2.3	Exigences d'alimentation et mise à la terre	14
3	EXIGENCES D'INSTALLATION	14
3.1	Exigences concernant l'emplacement	14
3.2	Dimensions de l'électroménager	14
3.3	Dimensions de l'installation	15
3.4	Combinaison avec d'autres appareils	15
3.5	Exigences électriques	15
4	AVANT L'INSTALLATION	15
4.1	Montage de la console anti-basculement	15
5	INSTALLATION	17
5.1	Installation de l'appareil dans l'armoire	17
5.2	Réglage du panneau avant	17
5.3	Régler la façade à fleur de Surface	17
6	COMBINAISON DU TIROIR CHAUFFANT AVEC UN AUTRE APPAREIL	17
7	OPÉRATION D'ESSAI	18
8	Service à la clientèle	18
8.1	Numéro de modèle (E-Nr.), numéro de fabrication (FD) et numéro de comptage (Z- Nr.)	18
8.2	Emplacement de la plaque signalétique	18
9	SCHÉMA DE CÂBLAGE	19



IMPORTANTES CONSIGNES DE SÉCURITÉ

LIRE ET CONSERVER CES INSTRUCTIONS

Lisez attentivement toutes les instructions avant d'utiliser l'appareil. Afin de réduire les risques d'incendie, d'électrocution et de blessures corporelles lorsque vous utilisez l'appareil, suivez les précautions de base, et notamment les consignes de sécurité suivantes.

1.1 Définitions des termes de sécurité

Vous trouverez ici des explications sur les mots de signalisation de sécurité utilisés dans ce manuel.

⚠ AVERTISSEMENT

Signale un risque de mort ou de blessure grave si l'avertissement n'est pas respecté.

⚠ MISE EN GARDE

Signale un risque de blessures mineures ou modérées si l'avertissement n'est pas respecté.

AVIS

Ceci indique que la non-conformité à cet avis de sécurité peut entraîner des dégâts matériels ou endommager l'appareil.

Remarque : Ceci vous signale des informations importantes.

1.2 CONSIGNES DE SÉCURITÉ IMPORTANTES

AVERTISSEMENT

Quand vous utilisez des appareils électriques, suivez les consignes de sécurité de base, y compris ce qui suit :

- ▶ Lire toutes les consignes.
- ▶ Ne touchez pas les surfaces chaudes. Utilisez les touches tactiles du panneau de commande.
- ▶ Pour vous protéger contre les chocs électriques, ne plongez pas le cordon d'alimentation ou les fiches dans l'eau ou d'autres liquides.
- ▶ Une étroite surveillance est nécessaire lorsqu'un appareil électroménager est utilisé par ou à proximité d'enfants.
- ▶ Laisser refroidir avant de mettre ou de retirer des pièces.
- ▶ N'utilisez pas l'appareil avec une fiche ou un cordon endommagé ou encore si l'appareil ne fonctionne pas correctement ou a été endommagé de quelque façon. Renvoyez l'appareil au fournisseur de service agréé le plus proche pour examen, réparation ou réglage.
- ▶ N'utilisez pas l'appareil à l'extérieur.
- ▶ Ne laissez pas le cordon d'alimentation toucher des surfaces chaudes.
- ▶ Une extrême prudence doit être utilisée lors de l'ouverture du tiroir s'il contient un récipient contenant des liquides chauds.
- ▶ Branchez toujours la fiche à l'appareil en premier, puis branchez le cordon d'alimentation dans la prise murale. Pour déconnecter, mettez n'importe quelle commande sur « off (arrêt) », puis retirez la fiche de la prise murale.
- ▶ N'utilisez pas l'appareil à d'autres fins que l'usage auquel il est destiné.

- ▶ Conserver les présentes instructions.

1.3 Consignes générales de sécurité

IMPORTANT : CONSERVEZ CES INSTRUCTIONS POUR L'UTILISATION DE L'INSPECTEUR ÉLECTRIQUE LOCAL.

PROPRIÉTAIRE : VEUILLEZ CONSERVER CES INSTRUCTIONS POUR RÉFÉRENCE FUTURE.

Examinez l'appareil après l'avoir déballé. En cas de dommage en cours de transport, ne branchez pas l'appareil.

AVERTISSEMENT

Si les consignes du présent manuel ne sont pas suivies à la lettre, il y a un risque d'incendie ou d'électrocution pouvant entraîner des dommages matériels ou des blessures.

Ne pas réparer, remplacer ni retirer toute pièce de l'électroménager à moins que cela ne soit spécifiquement recommandé par les manuels. L'installation, les réparations ou l'entretien inadéquats pourraient causer des blessures ou des dégâts matériels.

- ▶ Consulter ce manuel pour les directives d'utilisation.
- ▶ Toutes les autres réparations doivent être effectuées par un prestataire de services agréé.

Ne jamais modifier ni altérer la structure de l'appareil électroménager.

- ▶ Par exemple, ne retirez pas les pieds d'ajustement, les panneaux, les couvre-fils ou les vis ou supports anti-basculement.

AVERTISSEMENT

Retirer tout le ruban adhésif et l'emballage avant d'utiliser l'électroménager.

- ▶ Jetez l'emballage après avoir déballé l'électroménager.
- ▶ Éliminez l'emballage d'une manière respectueuse de l'environnement.
- ▶ Ne laissez jamais les enfants jouer avec le matériel d'emballage.

AVERTISSEMENT

Pour réduire le risque d'incendie, ne placez pas un appareil diffusant de la chaleur ou un appareil de cuisson sous l'appareil.

Pour réduire le risque d'incendie, ne placez pas l'appareil sur ou à proximité de toute partie d'un appareil diffusant de la chaleur ou d'un appareil de cuisson.

AVERTISSEMENT

Pour réduire le risque de choc électrique, ne montez pas l'appareil au-dessus d'un évier.



IMPORTANTES CONSIGNES DE SÉCURITÉ

LIRE ET CONSERVER CES INSTRUCTIONS

1.4 Manipulation sécuritaire des appareils

AVERTISSEMENT



L'unité est lourde et son déplacement exige au moins deux personnes ou encore un équipement approprié.

- ▶ Ne soulevez pas l'appareil par la porte ou le panneau avant.

AVERTISSEMENT



Certaines surfaces cachées peuvent avoir des rebords tranchants.

- ▶ Redoubler de vigilance quand vous passez la main derrière ou sous l'appareil électroménager.

1.5 Codes et normes de sécurité

Cet appareil est conforme aux plus récentes versions de l'une ou plus des normes suivantes :

- CAN/CSA C22.2 No. 64 - Appareils ménagers de cuisson et de chauffage à liquide
- UL 1026 - Appareils électroménagers pour la cuisson et la préparation des aliments

Il est de la responsabilité du propriétaire et de l'installateur de déterminer si des exigences et/ou des normes supplémentaires s'appliquent à des installations spécifiques.

1.6 Sécurité électrique

- **Installateur** - indiquez au propriétaire l'emplacement du disjoncteur ou du fusible. Identifiez sa position pour pouvoir le retrouver facilement.
- S'il y a lieu, conformément au Code national de l'électricité (ou au Code canadien de l'électricité), cet appareil doit être installé sur un circuit de dérivation séparé.
- Les codes locaux peuvent varier. L'installateur est responsable de s'assurer que l'installation, les connexions et la mise à la terre sont conformes à tous les codes applicables. Le fabricant n'est pas responsable des problèmes associés à une mauvaise installation de ce produit.
- Voir la fiche signalétique pour plus d'information.
→ "Emplacement de la plaque signalétique",
Page 18

AVERTISSEMENT

Avant l'installation, couper l'alimentation au panneau de service.

- ▶ Verrouiller le panneau de service pour empêcher que l'alimentation ne soit rétablie par accident.

Pour les électroménagers dotés d'un cordon d'alimentation avec fiche, ne pas couper ni enlever la broche de mise à la terre.

- ▶ Pour éviter toute électrocution, brancher le cordon dans une prise de courant correspondante avec mise à la terre.

- ▶ En cas de doute concernant la mise à la terre appropriée de la prise murale, le client doit faire vérifier celle-ci par un électricien qualifié.

INSTRUCTIONS DE MISE À LA TERRE

- ▶ Cet appareil doit être mis à la terre.
- ▶ La mise à la terre réduit le risque de choc électrique en fournissant une voie sûre pour le courant électrique en cas de court-circuit.
- ▶ Assurez-vous que l'appareil est correctement installé et mis à la terre par un technicien qualifié.
- ▶ L'installation, les raccordements électriques et la mise à la terre doivent être conformes avec tous les codes en vigueur.

N'utilisez pas de rallonge. Si le cordon d'alimentation est trop court, demandez à un électricien ou un technicien qualifié d'installer une prise à proximité de l'appareil.

1.7 Mises en garde conformément à la proposition 65 de l'État de Californie

Ce produit pourrait contenir un produit chimique reconnu par l'État de la Californie comme cancérigène ou ayant des effets nocifs sur la reproduction. Par conséquent, vous pourriez devoir apposer l'étiquette suivante sur l'emballage du produit comme requis par la Californie :

AVERTISSEMENT ISSUE DE LA PROPOSITION 65 DE L'ÉTAT DE LA CALIFORNIE :



AVERTISSEMENT

Cancer et dommages à la reproduction -
www.P65Warnings.ca.gov

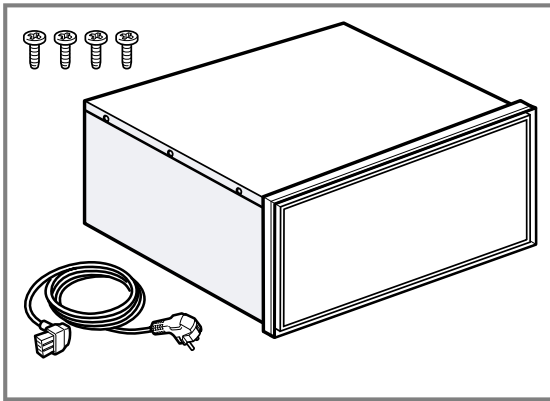
2 Avant de commencer

Lisez ces instructions avant de commencer l'installation de votre appareil.

Tous graphiques sont représentatifs. Votre appareil peut varier en apparence et en fonctionnalités.

2.1 Pièces incluses

Après avoir déballé le produit, inspectez toutes les pièces pour détecter d'éventuels dégâts dus au transport et pour vous assurer de l'intégralité de la livraison.



2.2 Outils et pièces nécessaires

Préparez ces outils et accessoires avant de commencer à installer votre électroménager.

- Crayon
- Ruban à mesurer
- Niveau
- Tournevis à embout étoile T20
- Perceuse avec mèche 1/8 po
- Gants de sécurité

2.3 Exigences d'alimentation et mise à la terre

La prise de courant doit être correctement mise à la terre selon tous les codes applicables.

3 Exigences d'installation

Lisez ces instructions pour préparer l'espace d'installation de votre appareil.

3.1 Exigences concernant l'emplacement

Vous trouverez ici des informations sur l'installation en toute sécurité.

⚠ AVERTISSEMENT

Le fait de couvrir les fentes d'aération et les ouvertures d'admission d'air provoque une surchauffe de l'appareil.

- ▶ Ne couvrez pas les fentes d'aération et les ouvertures d'admission d'air.

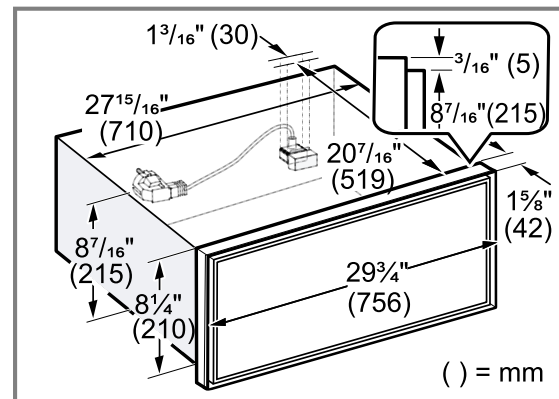
⚠ MISE EN GARDE

Lorsque le tiroir est ouvert, l'appareil peut basculer.

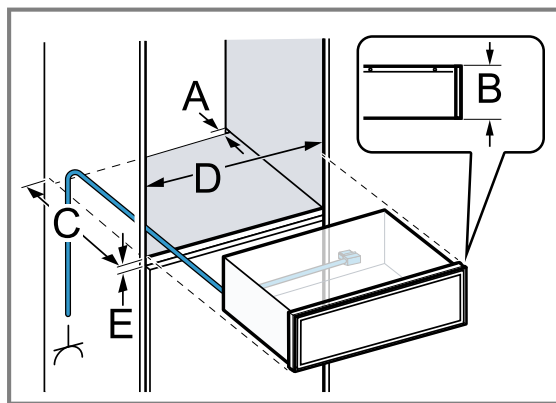
- ▶ Prévoyez un plancher intermédiaire fixe au-dessus de l'appareil à l'intérieur de l'armoire de cuisine.
- ▶ En cas de combinaison avec un four, prévoir un plancher intermédiaire fixe au-dessus du four.

L'armoire de cuisine peut ne pas avoir de panneau arrière derrière l'appareil.

3.2 Dimensions de l'électroménager



3.3 Dimensions de l'installation



A	1 ³ / ₈ " (35 mm)
B	8 ⁷ / ₁₆ " + 1 ¹ / ₁₆ " (215+2 mm)
C	≥ 21 ⁵ / ₈ " (550 mm)
D	28 ⁷ / ₁₆ " + 5 ¹ / ₁₆ " (722+8 mm)
E	≥ 3 ¹ / ₂₃ " (2 mm)

L'installation d'un plancher intermédiaire est facultative. Vérifiez si un support anti-basculement → *Page 15* est nécessaire.

→ *"Combinaison avec d'autres appareils", Page 15*

3.4 Combinaison avec d'autres appareils

Vous pouvez combiner le tiroir chauffant avec un maximum d'un appareil supplémentaire de la même série d'appareils.

Aucun plancher intermédiaire n'est requis entre les appareils.

Lors de l'installation de l'appareil sous un four, un four à vapeur combiné ou un four à vapeur, aucune protection anti-basculement n'est nécessaire.

Lors de l'installation de l'appareil sous la machine à café entièrement automatique, installez la protection anti-basculement de la machine à café entièrement automatique.

Pour les combinaisons suivantes, installez la protection anti-basculement sur le tiroir chauffant :

- Tiroir chauffant séparé, y compris en cas d'installation sous un plancher intermédiaire
- Tiroir chauffant sous le micro-ondes
- Tiroir chauffant sous la table de cuisson
- Tiroir chauffant avec tiroir chauffant, au moins sur l'appareil supérieur
- Tiroir chauffant avec tiroir à accessoires, au moins sur l'appareil supérieur
- Tiroir chauffant avec tiroir aspirant, au moins sur l'appareil supérieur

Un jeu de supports anti-basculement adapté peut être obtenu auprès du service à la clientèle, sur notre site Web ou dans la boutique en ligne.

→ *"Montage de la console anti-basculement", Page 15*

3.5 Exigences électriques

⚠ AVERTISSEMENT

UNE MISE À LA TERRE INADÉQUATE PEUT ENTRAÎNER UN RISQUE D'ÉLECTROCUTION.

- ▶ Consultez un électricien qualifié si vous ne comprenez pas parfaitement les instructions de mise à la terre ou si vous avez des doutes concernant une mise à la terre appropriée.
- ▶ Si le cordon d'alimentation est trop court, demandez à un électricien ou un technicien qualifié d'installer une prise à proximité de l'appareil.
- ▶ NE PAS UTILISER DE RALLONGE.

L'intensité des disjoncteurs de dérivation, les dimensions des câbles et les connexions doivent être conformes aux exigences du Code national de l'électricité ou du Code canadien de l'électricité et à tous les codes et règlements locaux.

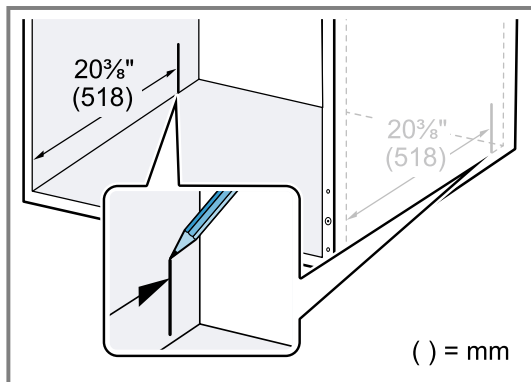
- La prise de courant pour le cordon d'alimentation doit être facilement accessible après l'installation de l'appareil.
- L'appareil doit être branché uniquement à l'aide du cordon d'alimentation fourni. Connectez le cordon d'alimentation à l'arrière de l'appareil.
- Des cordons d'alimentation avec différents types de fiches sont disponibles auprès du service clientèle.

4 Avant l'installation

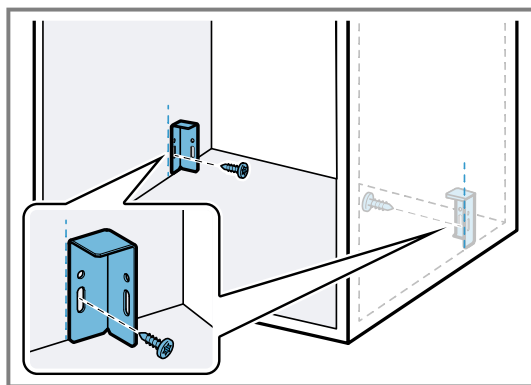
4.1 Montage de la console anti-basculement

Supports anti-basculement appropriés (numéro de commande : 12039458) peuvent être obtenues auprès du service à la clientèle, sur notre site Internet ou dans la boutique en ligne.

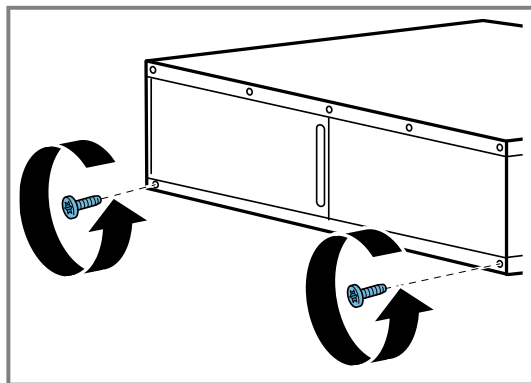
1. Mesurez un espace libre de $20\frac{3}{8}$ po (518 mm) à partir du bord avant de l'armoire et marquez-le des deux côtés à l'intérieur de l'armoire.



2. Alignez les 2 supports sur le repère.
3. Vissez les 2 supports sur les marques derrière le repère.

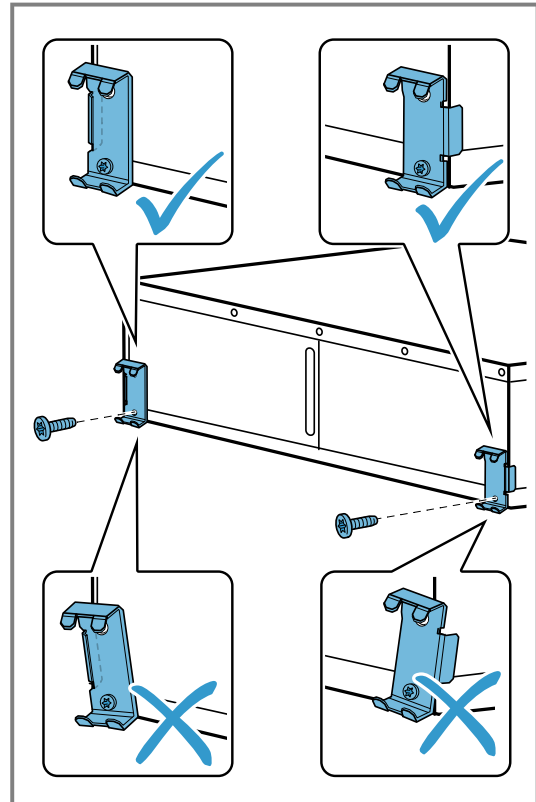


4. Placez l'appareil sur une surface plane
5. Dévissez les 2 vis inférieures à l'arrière de l'appareil.

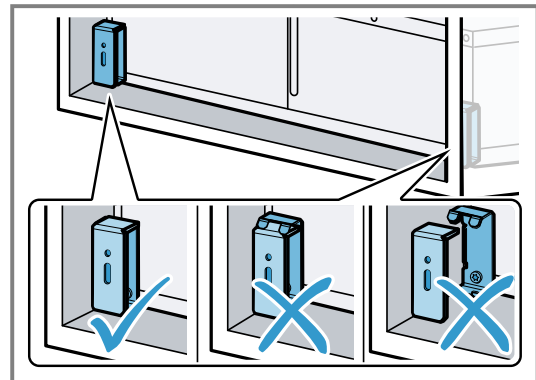


6. Utilisez les deux vis pour serrer les 2 fixations métalliques à l'arrière de l'appareil. Assurez-vous que

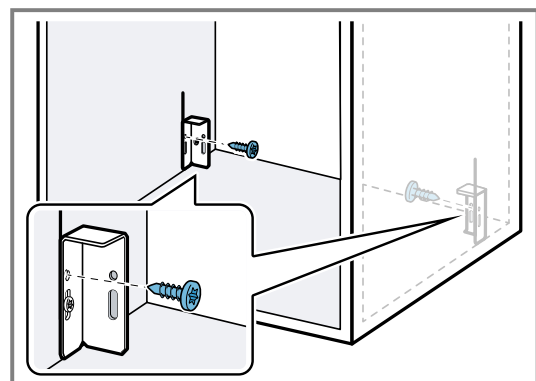
les fixations métalliques sont exactement alignées avec le bord de l'appareil.



7. Glissez l'appareil dans le meuble et vérifiez si les supports anti-basculement s'enclenchent.



8. Retirez l'appareil de l'armoire.
9. Si nécessaire, ajustez la position des supports anti-basculement au niveau des trous allongés.
10. Vissez les supports anti-basculement à l'armoire.



5 Installation

5.1 Installation de l'appareil dans l'armoire

⚠ AVERTISSEMENT

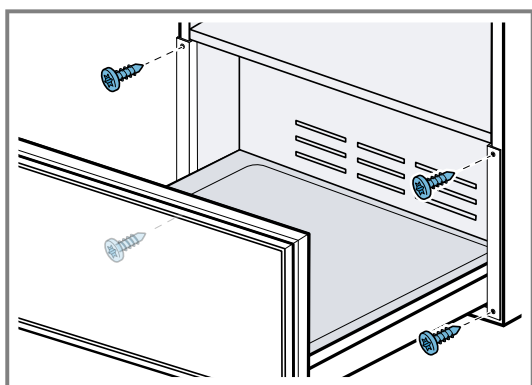
L'appareil peut basculer lorsque vous l'ouvrez.

- ▶ Lors de l'installation de l'appareil sans plancher intermédiaire, alourdissez-le avec un objet lourd approprié.

1. Insérez totalement le câble d'alimentation dans l'appareil.
2. Poussez l'appareil à fond dans le meuble et laissez les supports anti-basculement s'enclencher.

Remarque : Ne pincez pas le cordon d'alimentation.

3. Centrez l'appareil.
4. Retirez la bande adhésive de la face avant de l'appareil.
5. Ouvrez l'appareil avec précaution et vérifiez si la protection anti-basculement fonctionne.
6. Vissez l'appareil à l'armoire.



7. Branchez le cordon d'alimentation dans une prise correctement mise à la terre.

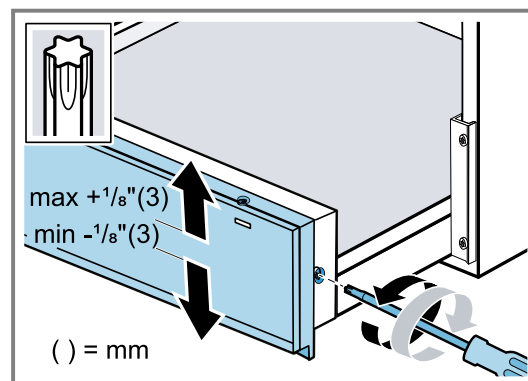
Remarque : Le cordon d'alimentation ne doit pas toucher l'arrière et la base de l'appareil après l'installation.

5.2 Réglage du panneau avant

Ajustez le panneau frontal vers le haut ou vers le bas si nécessaire.

1. Ouvrez l'appareil.

2. Ne desserrez que les vis situées sur le côté du panneau avant - ne les dévissez pas complètement.

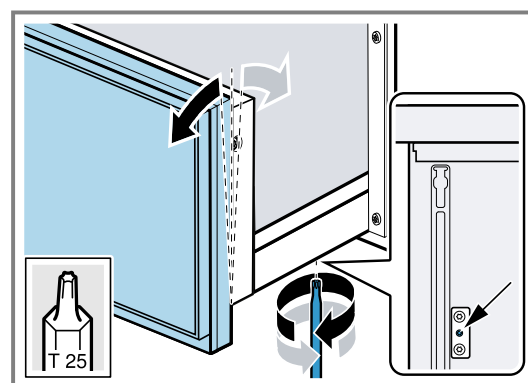


3. Ajustez le panneau avant vers le haut ou vers le bas. Vous pouvez régler la position du panneau avant de max. 1/8 po (3 mm) dans les deux sens.
4. Resserrez les vis.
 - ▶ Si les vis ne se serrent pas lorsqu'elles sont bien vissées, desserrez complètement les vis, déplacez le panneau du meuble vers le haut et vers le bas jusqu'à ce que le filetage soit visible.

5.3 Régler la façade à fleur de Surface

Si le panneau frontal de l'appareil voisin ne s'aligne pas avec le panneau frontal du tiroir réchaud, ajustez le panneau frontal du tiroir réchaud.

1. Ouvrez l'appareil.
2. Pour aligner le panneau avant, dévissez ou vissez les vis du milieu à gauche et à droite sur la partie inférieure du tiroir réchaud.
 - ▶ Lorsque les vis sont desserrées, le panneau avant se déplace vers l'extérieur.
 - ▶ Lorsque vous serrez les vis, le panneau avant se déplace vers l'intérieur.



6 Combinaison du tiroir chauffant avec un autre appareil

AVIS

Les bords tranchants de l'appareil peuvent endommager le panneau avant du tiroir chauffant.

- ▶ N'endommagez pas le panneau avant du tiroir chauffant lorsque vous glissez l'appareil à l'intérieur.

- ▶ Avant d'installer un autre appareil, ouvrez le tiroir chauffant, placez un chiffon sur le panneau avant et fermez le tiroir chauffant pour protéger le panneau avant du tiroir chauffant contre les dommages.

1. Combinez uniquement les appareils appropriés de la même marque et de la même série.
2. Respectez les instructions pour la combinaison avec d'autres appareils. → Page 15
3. Montez d'abord le tiroir chauffant.

4. Introduisez l'appareil dans le placard encastrable sur le tiroir chauffant.
5. Respectez les instructions d'installation de l'appareil.
6. Retirez le tissu du tiroir chauffant.

7 Opération d'essai

Vérifiez si votre appareil fonctionne correctement après avoir terminé les étapes d'installation.

1. Mettez sous tension au niveau du panneau de service.

2. Pour tester le tiroir chauffant, sélectionnez un mode de fonctionnement. Reportez-vous manuel pour obtenir des instructions d'utilisation détaillées.
3. Vérifiez que le voyant de fonctionnement clignote et que le tiroir chauffant commence à préchauffer.

8 Service à la clientèle

Lors de toute réparation réalisée dans le cadre de la garantie, nous nous assurons que votre appareil est réparé avec des pièces de rechange d'origine par un technicien dûment formé et agréé. Nous utilisons exclusivement des pièces de rechange d'origine lors des réparations.

Vous pouvez obtenir auprès de notre service après-vente des pièces détachées d'origine relatives au fonctionnement de l'appareil et pouvant être stockées jusqu'à 15 ans après la commercialisation de votre appareil.

Veuillez contacter notre service clientèle pour obtenir d'autres informations à ce sujet.

Pour plus d'informations sur la durée et les conditions de la garantie dans votre pays, consultez nos modalités de garantie auprès de votre détaillant ou sur notre site Web.

USA:

1-877-442-4436

www.gaggenau.com

www.gaggenau.com/us/appliances/eshop

CA:

1-877-442-4436

www.gaggenau.com

www.gaggenau.ca

Résidents du Québec :

Vous trouverez des renseignements sur la disponibilité des pièces de rechange, des services de réparation et des renseignements nécessaires à l'entretien ou à la réparation de l'appareil à l'adresse suivante :

www.gaggenau.com/ca/fr/service/residents-du-qc

Vous trouverez également de l'aide pour contacter Home Connect® à l'adresse suivante : www.home-connect.com/us/en/help-support/set-up

8.1 Numéro de modèle (E-Nr.), numéro de fabrication (FD) et numéro de comptage (Z-Nr.)

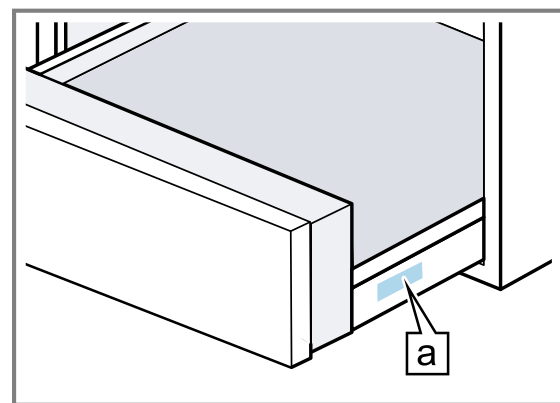
Si vous contactez le service à la clientèle, indiquez le numéro de modèle (E-Nr.) le numéro de fabrication (FD) et le numéro de série (Z-Nr.) indiqués sur la plaque signalétique de l'appareil.

Pour retrouver rapidement les données de votre appareil et le numéro de téléphone du service à la clientèle, n'hésitez pas à les recopier ailleurs.

8.2 Emplacement de la plaque signalétique

Vous trouverez la plaque signalétique de votre appareil :

- sur le côté droit du tiroir. Ouvrir le tiroir pour la repérer.

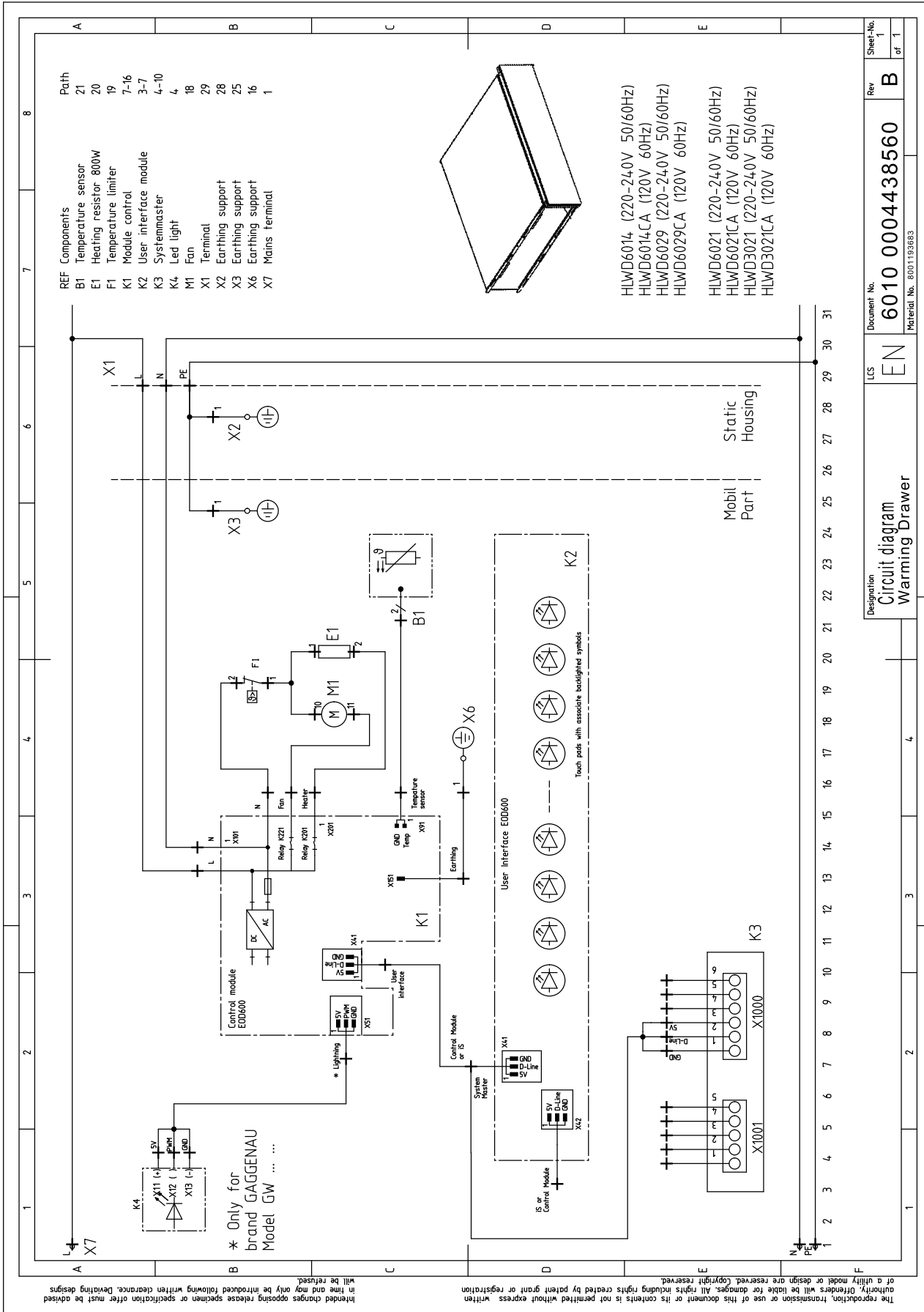


a Plaque signalétique



GAGGENAU

9 Schéma de câblage



The reproduction, transmission or use of this document or its contents is not permitted without express written authority. Offenders will be liable for damages. All rights including rights created by patent grant or registration in force and may only be introduced following written permission or specification. Deviating designs intended changes opposing release specimen or specification offer must be advised in time and may only be introduced following written clearance. Copyright reserved. Will be refused.

Tabla de contenidos

1 INSTRUCCIONES DE SEGURIDAD	
IMPORTANTES	21
1.1 Definiciones de seguridad	21
1.2 PROTECCIONES IMPORTANTES	21
1.3 Instrucciones generales de seguridad	21
1.4 Seguridad de manejo del aparato	21
1.5 Códigos y normas de seguridad	22
1.6 Seguridad eléctrica	22
1.7 Advertencias en virtud de la Proposición 65 del estado de California	22
2 ANTES DE EMPEZAR	23
2.1 Componentes incluidos	23
2.2 Herramientas y partes necesarias	23
2.3 Requisitos de potencia y de conexión a tierra	23
3 REQUISITOS DE INSTALACIÓN	23
3.1 Requisitos de ubicación	23
3.2 Medidas del aparato	23
3.3 Dimensiones de montaje	24
3.4 Combinación con otros aparatos	24
3.5 Requisitos eléctricos	24
4 ANTES DE LA INSTALACIÓN	24
4.1 Instalar la placa de fijación antivuelco	24
5 INSTALACIÓN	26
5.1 Instalar el aparato en el gabinete	26
5.2 Ajustar el panel frontal	26
5.3 Ajustar el panel frontal para que quede enrasado	26
6 COMBINAR EL CAJÓN CALIENTAPLATOS CON OTRO APARATO	27
7 COMPROBACIÓN DEL FUNCIONAMIENTO	27
8 Servicio de atención al cliente	27
8.1 Número de modelo (E-Nr.), número de fabricación (FD) y número de conteo (Z-Nr.)	27
8.2 Ubicación de la placa de características del aparato	27
9 DIAGRAMA DE CABLEADO	28



INSTRUCCIONES DE SEGURIDAD IMPORTANTES

LEA Y CONSERVE ESTAS INSTRUCCIONES

Leer atentamente todas las instrucciones antes de proceder con el uso del aparato. Para reducir el riesgo de incendio, descarga eléctrica y lesiones personales al utilizar el aparato, se deben tomar precauciones de seguridad básicas, incluidas las que se detallan en las siguientes instrucciones de seguridad.

1.1 Definiciones de seguridad

Aquí puede encontrar explicaciones de las palabras de señal de seguridad utilizadas en este manual.

ADVERTENCIA

Esto indica que pueden producirse la muerte o heridas graves si no se cumple con esta advertencia.

PRECAUCIÓN

Esto indica que pueden producirse heridas leves o moderadas si no se cumple con esta advertencia.

AVISO

Esto indica que pueden producirse daños en el aparato o en los bienes si no se cumple con este aviso.

Nota: Esto alerta sobre información importante.

1.2 PROTECCIONES IMPORTANTES

ADVERTENCIA;

Al utilizar aparatos eléctricos, deben tomarse siempre las precauciones de seguridad básicas, entre las que se encuentran las siguientes:

- ▶ Leer todas las instrucciones.
- ▶ No tocar las superficies calientes. Utilizar las teclas táctiles del panel de control.
- ▶ Para protegerse contra una descarga eléctrica, no sumergir el cable de alimentación o los enchufes en agua u otros líquidos.
- ▶ Es necesaria una supervisión cuidadosa cuando los niños usan el aparato o están cerca de él.
- ▶ Dejar que el aparato se enfríe antes de introducir o extraer piezas.
- ▶ No poner en funcionamiento ningún aparato con un cable o enchufe dañado ni después de que el aparato presente un mal funcionamiento o si el aparato se ha dañado de cualquier otra forma. Devolver el aparato al proveedor de servicios autorizado más próximo para realizar tareas de inspección, reparación o ajuste.
- ▶ No utilizar este aparato en zonas exteriores.
- ▶ No dejar que el cable de alimentación toque superficies calientes.
- ▶ Se debe extremar la precaución al abrir el cajón si este contiene un recipiente con líquido caliente.
- ▶ Conectar siempre primero el enchufe al aparato y, luego, conectar el cable de alimentación a la toma de la pared. Para desconectar, poner en «off» cualquier control, sacar luego el enchufe de la toma de la pared.
- ▶ No usar el aparato para ningún otro propósito diferente al indicado.
- ▶ Conservar estas instrucciones.

1.3 Instrucciones generales de seguridad

IMPORTANTE: CONSERVAR ESTAS INSTRUCCIONES PARA QUE PUEDA USARLAS EL INSPECTOR DE ELECTRICIDAD LOCAL.

PROPIETARIO: CONSERVAR ESTAS INSTRUCCIONES PARA FUTURAS REFERENCIAS.

Examinar el aparato después de desembalarlo. En el caso de que se hayan producido daños en el transporte, no enchufarlo.

ADVERTENCIA;

Si no se sigue con exactitud la información de este manual, se puede producir un incendio o una descarga eléctrica que podrían causar daños materiales o lesiones personales.

No reparar, reemplazar ni retirar ninguna parte del aparato a menos que se recomiende específicamente en los manuales. La instalación, el servicio técnico o el mantenimiento incorrectos pueden causar lesiones o daños materiales.

- ▶ Consultar este manual como guía.
- ▶ Cualquier otra labor de mantenimiento debe de ser efectuada por un proveedor de servicios de mantenimiento autorizado.

No modificar ni alterar la construcción del aparato.

- ▶ Por ejemplo, no retirar las patas de nivelación, los paneles, las cubiertas para cables ni los tornillos o soportes antivuelco.

ADVERTENCIA;

Retirar toda la cinta y el embalaje antes de usar el aparato.

- ▶ Destruir el embalaje después de desembalar el aparato.
- ▶ Desechar el embalaje de manera respetuosa con el medio ambiente.
- ▶ No dejar nunca que los niños jueguen con el material de embalaje.

ADVERTENCIA;

Para reducir el riesgo de incendio no colocar ningún aparato calefactor ni de cocción debajo del aparato. Para reducir el riesgo de incendio no colocar el aparato sobre ni cerca de ninguna zona de un aparato calefactor o de cocción.

ADVERTENCIA;

Para reducir el riesgo de descarga eléctrica, no colocar el aparato sobre un fregadero.

1.4 Seguridad de manejo del aparato

ADVERTENCIA;



La unidad pesa mucho y se requieren al menos dos personas o un equipo adecuado para trasladarla.

- ▶ No levantar el aparato por la puerta ni por el panel frontal.



INSTRUCCIONES DE SEGURIDAD IMPORTANTES

LEA Y CONSERVE ESTAS INSTRUCCIONES

ADVERTENCIA;



Las superficies ocultas pueden tener bordes afilados.

- Proceder con cuidado al intentar sujetar el aparato por la parte trasera o desde abajo.

1.5 Códigos y normas de seguridad

Este aparato cumple con la última versión de una o varias de las siguientes normas:

- CAN/CSA-C22.2 n.º 64: electrodomésticos de cocción y de calentamiento de líquidos
- UL 1026: electrodomésticos eléctricos de cocción y para servir comida

Es responsabilidad del propietario y del instalador determinar si son aplicables otros requisitos y/o normas en instalaciones específicas.

1.6 Seguridad eléctrica

- **Instalador:** es preciso mostrar al propietario la ubicación del breaker del circuito o del fusible. Marcarla para recordarla más fácilmente.
- Si el Código Nacional Eléctrico (o el Código Eléctrico Canadiense) así lo exige, este aparato debe instalarse con un circuito derivado dedicado por separado.
- Las normativas locales varían. El instalador es responsable de asegurarse de que la instalación, las conexiones y la toma de tierra cumplan con todas las normativas aplicables. El fabricante no se hace responsable de los problemas asociados a un montaje incorrecto de este producto.
- Para obtener más información, consultar la placa de características.
→ *"Ubicación de la placa de características del aparato", Página 27*

ADVERTENCIA;

Antes de realizar la instalación, desconectar la alimentación eléctrica en el panel de servicio.

- Bloquear el panel de servicio para impedir que se conecte accidentalmente la alimentación eléctrica.

Para los aparatos provistos de cable y enchufe, no cortar ni retirar la terminal de conexión a tierra;

- se requiere para enchufarla en un receptáculo adecuado con conexión a tierra para evitar descargas eléctricas.
- Si se tienen dudas acerca de si el enchufe de la pared tiene una conexión a tierra adecuada, el cliente debería pedirle a un electricista calificado que lo compruebe.

INSTRUCCIONES PARA LA CONEXIÓN A TIERRA

- Este aparato debe estar conectado a tierra.
- La conexión a tierra reduce el riesgo de descargas eléctricas, ya que proporciona una vía de escape de la corriente eléctrica en caso de cortocircuito.
- Asegurarse de que el aparato esté correctamente instalado y conectado a tierra por un técnico calificado.

- La instalación, las conexiones eléctricas y la conexión a tierra deben cumplir con todas las normas aplicables.

No usar un cable de extensión. Si el cable de suministro de alimentación es demasiado corto, se deberá solicitar a un electricista calificado que instale una toma de corriente cerca del aparato.

1.7 Advertencias en virtud de la Proposición 65 del estado de California

Este producto puede contener un químico que el Estado de California reconoce como potencialmente cancerígeno o causante de daños reproductivos. Por tanto, su producto debe llevar en su embalaje la siguiente etiqueta de conformidad con la legislación de California:

ADVERTENCIA EN VIRTUD DE LA PROPOSICIÓN 65 DEL ESTADO DE CALIFORNIA:

⚠ ADVERTENCIA

Cáncer y daño reproductivo - www.P65Warnings.ca.gov

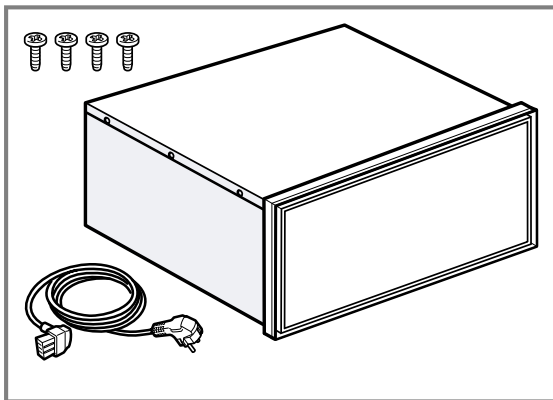
2 Antes de empezar

Leer estas instrucciones antes de comenzar la instalación del aparato.

Todos los gráficos son representativos. La apariencia y las funciones del aparato pueden variar.

2.1 Componentes incluidos

Después de desembalar el aparato, verifique que todas las piezas no presenten daños ocasionados durante el transporte, así como que el volumen de suministro esté completo.



2.2 Herramientas y partes necesarias

Preparar los siguientes accesorios y herramientas antes de comenzar la instalación del aparato.

- Lápiz
- Cinta métrica
- Nivel
- Desarmador de estrella T20
- Taladro con broca de 1/8"
- Guantes de seguridad

2.3 Requisitos de potencia y de conexión a tierra

El contacto para el enchufe debe incorporar una conexión a tierra adecuada de conformidad con todas las normas aplicables.

3 Requisitos de instalación

Leer las presentes instrucciones para preparar el espacio de instalación del aparato.

3.1 Requisitos de ubicación

Aquí se puede encontrar información sobre la instalación segura.

⚠ ADVERTENCIA;

Cubrir las ranuras de ventilación y las aberturas de entrada de aire provoca que el aparato se sobrecaliente.

- ▶ No cubrir las ranuras de ventilación ni las aberturas de entrada de aire.

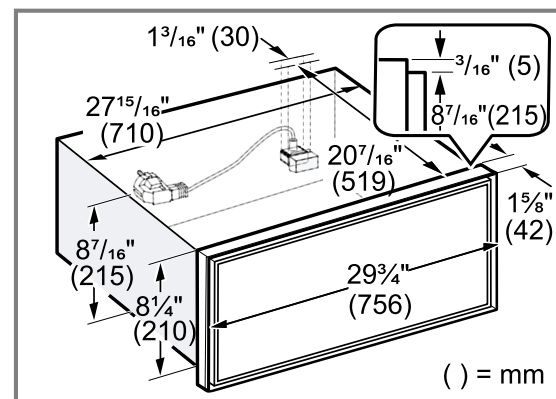
⚠ PRECAUCIÓN;

Cuando se abre el cajón, el aparato puede volcarse.

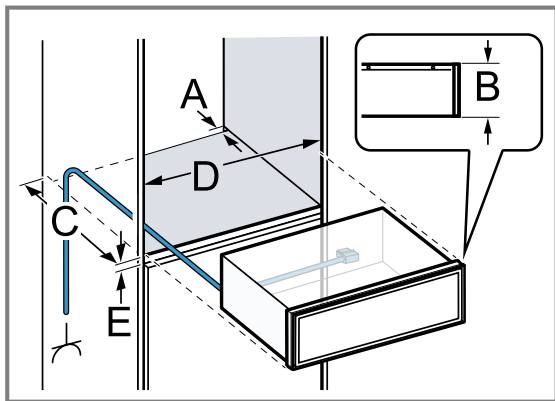
- ▶ Proporcionar una base intermedia fija sobre el aparato dentro del gabinete de cocina.
- ▶ Si se combina con un horno, proporcionar una base intermedia fija sobre el horno.

El posible que el gabinete de cocina no tenga un panel trasero detrás del aparato.

3.2 Medidas del aparato



3.3 Dimensiones de montaje



A	1 ³ / ₈ " (35 mm)
B	8 ⁷ / ₁₆ " + 1/16" (215+2 mm)
C	≥ 21 ⁵ / ₈ " (550 mm)
D	28 ⁷ / ₁₆ " + 5/16" (722+8 mm)
E	≥ 3/23" (2 mm)

Es opcional la instalación de una base intermedia. Comprobar si se requiere una placa de fijación antivuelco → *Página 24*.

→ *"Combinación con otros aparatos", Página 24*

3.4 Combinación con otros aparatos

Puede combinar el cajón calentaplatos con un máximo de un aparato más de la misma serie.

No es necesario un piso intermedio entre los aparatos. Al montar el aparato debajo de un horno, horno combinado de vapor u horno de cocción al vapor, no es necesaria la protección de inclinación.

Al montar el aparato debajo de una cafetera automática, instale la protección de inclinación para la cafetera automática.

Para las siguientes combinaciones, monte la protección de inclinación en el cajón calentaplatos:

- Cajón calentaplatos por separado, incluso cuando se monte debajo de un piso intermedio
- Cajón calentaplatos debajo del microondas
- Cajón calentaplatos debajo de la placa de cocción
- Cajón calentaplatos con cajón calentaplatos, al menos en el aparato superior
- Cajón calentaplatos con cajón de accesorios, al menos en el aparato superior
- Cajón calentaplatos con cajón vacío, al menos en el aparato superior

Se puede conseguir una placa de fijación antivuelco adecuada a través del servicio al cliente, en nuestro sitio web o en la tienda en línea.

→ *"Instalar la placa de fijación antivuelco", Página 24*

3.5 Requisitos eléctricos

⚠ ADVERTENCIA;

UNA PUESTA A TIERRA INCORRECTA PUEDE CAUSAR UNA DESCARGA ELÉCTRICA.

- ▶ Consulte a un electricista calificado si no comprende la totalidad de las instrucciones de conexión a tierra o si tiene alguna duda respecto de si el aparato está correctamente conectado a tierra.
- ▶ Si el cable de alimentación es demasiado corto, solicite a un electricista calificado que instale una toma de corriente cerca del aparato.
- ▶ NO USAR UN CABLE DE EXTENSIÓN.

El amperaje de los breakers, el calibre de los cables y las conexiones deben cumplir con los requisitos del Código Nacional Eléctrico o el Código Eléctrico Canadiense y todos los códigos y reglamentos locales.

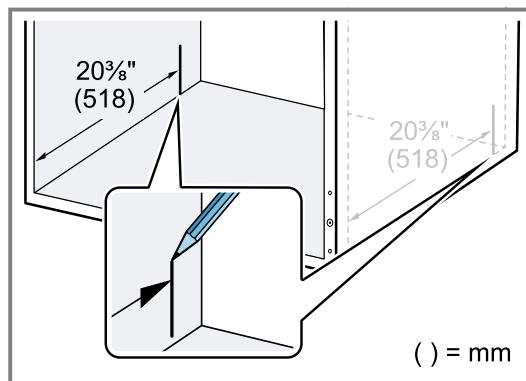
- La toma del cable de alimentación debe ser fácilmente accesible una vez instalado el aparato.
- El aparato solo debe conectarse con el cable de alimentación suministrado. Conectar el aparato a la parte trasera del aparato.
- El Servicio de atención al cliente ofrece cables de alimentación con distintos tipos de enchufe.

4 Antes de la instalación

4.1 Instalar la placa de fijación antivuelco

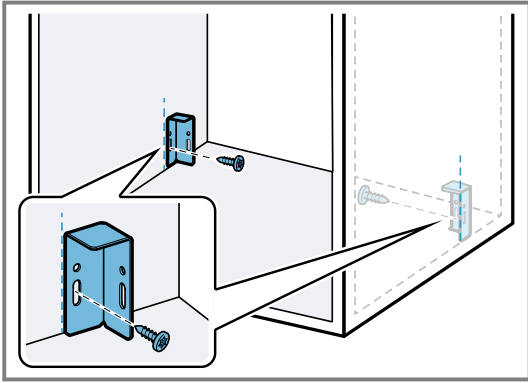
Se pueden adquirir placas de fijación antivuelco adecuadas (n.º de pedido: 12039458) a través del Servicio técnico, nuestro sitio web o la tienda en línea.

1. Medir y marcar un espacio libre de 20³/₈" (518 mm) desde el borde frontal del gabinete a ambos lados y marcarlo por los dos lados en el interior.

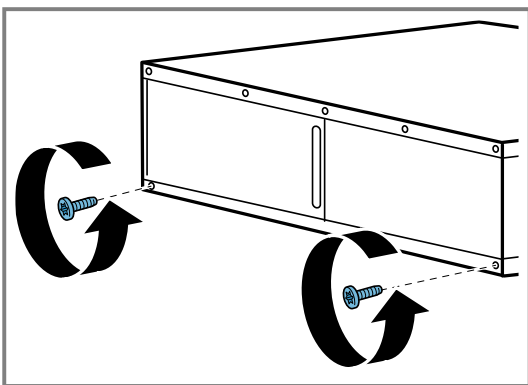


2. Alinear las dos placas de fijación en la marca.

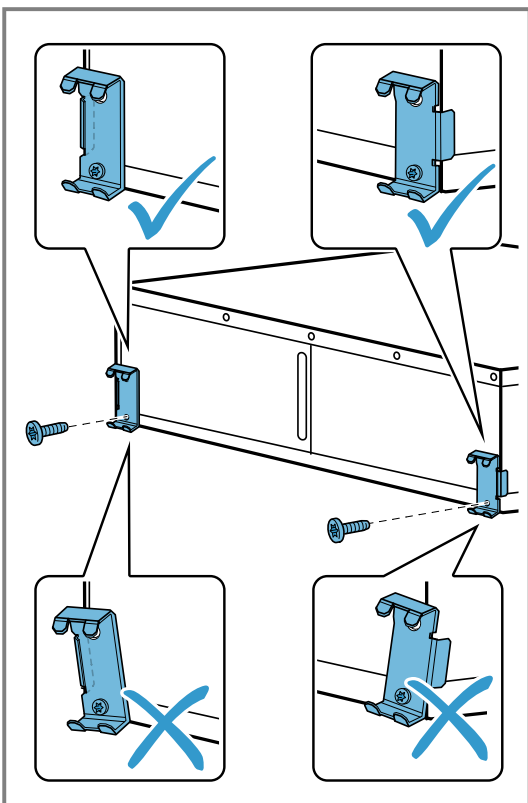
3. Atornillar las dos placas de fijación por los orificios alargados por detrás de la marca.



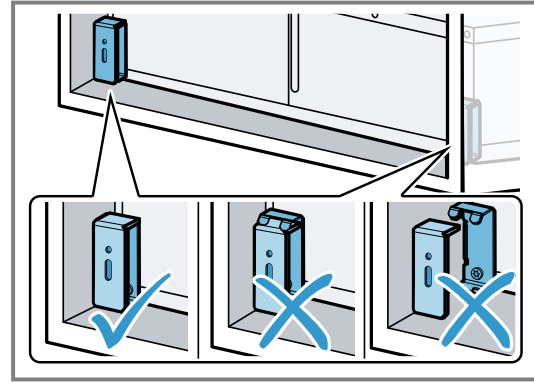
4. Colocar el aparato sobre una superficie plana.
5. Desatornillar los dos tornillos inferiores de la parte trasera del aparato.



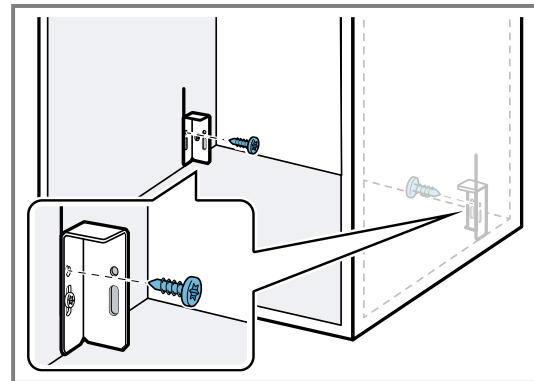
6. Utilizar los dos tornillos para apretar los dos soportes metálicos de la parte trasera del aparato. Asegurarse de que los soportes de metal estén exactamente alineados con el borde del aparato.



7. Deslizar el aparato dentro del gabinete y comprobar si los soportes antivuelco encajan.



8. Extraer el aparato del gabinete.
9. Si es necesario, ajustar la posición de las placas de fijación antivuelco en los orificios alargados.
10. Atornillar las placas de fijación antivuelco en el gabinete.



5 Instalación

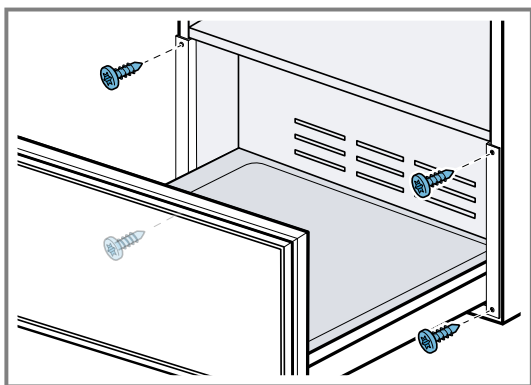
5.1 Instalar el aparato en el gabinete

⚠ ADVERTENCIA;

El aparato podría volcarse al abrirlo.

- ▶ Si se monta el aparato sin una base intermedia, sujetarlo con un objeto pesado adecuado.

1. Insertar completamente el cable de alimentación en el aparato.
 2. Introducir por completo el aparato en el gabinete y encajar las placas de fijación antivuelco.
- Nota:** No pellizcar el cable de alimentación.
3. Centrar el aparato.
 4. Retirar la tira adhesiva del frente del aparato.
 5. Abrir con cuidado el aparato para comprobar que la protección antivuelco funciona correctamente.
 6. Atornillar el aparato al gabinete.



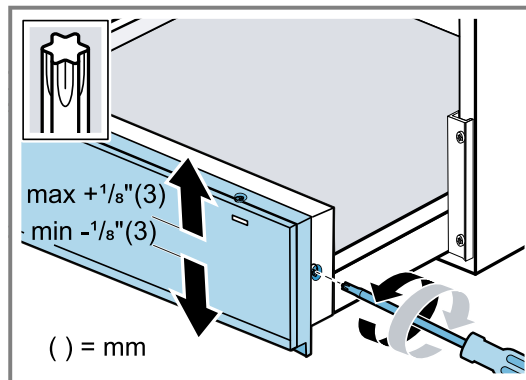
7. Enchufar el cable de alimentación en una toma de corriente con conexión a tierra adecuada.
- Nota:** El cable de alimentación no debe tocar la parte trasera ni la base del aparato después del montaje.

5.2 Ajustar el panel frontal

Ajustar el panel frontal hacia arriba o hacia abajo según sea necesario.

1. Abrir el aparato.

2. Aflojar solamente los tornillos en el costado del panel frontal, sin desatornillarlos por completo.

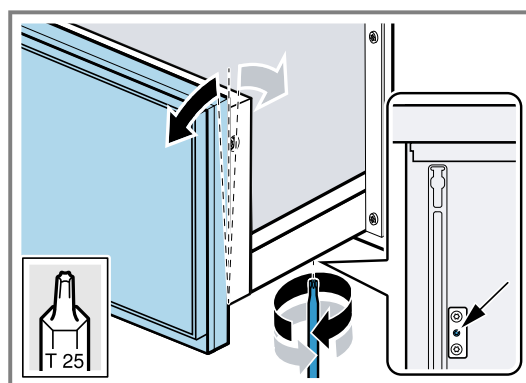


3. Ajustar el panel frontal hacia arriba o hacia abajo. Se puede ajustar la posición del panel frontal un máx. de $\frac{1}{8}$ " (3 mm) en ambas direcciones.
4. Apretar los tornillos.
 - ▶ Si no es posible apretar más los tornillos cuando ya están bien enroscados, aflojarlos completamente y desplazar hacia arriba y hacia abajo el panel del mueble hasta que sea visible la rosca.

5.3 Ajustar el panel frontal para que quede enrasado

Si el panel frontal del aparato adyacente no está enrasado con el del cajón calentaplatos, ajustar el panel frontal de este aparato.

1. Abrir el aparato.
2. Para alinear el panel frontal, aflojar o apretar los tornillos centrales de la izquierda y la derecha en la parte inferior del cajón calentaplatos.
 - ▶ Al aflojar los tornillos, el panel frontal se mueve hacia fuera.
 - ▶ Al apretar los tornillos, el panel frontal se mueve hacia dentro.



6 Combinar el cajón calentaplatos con otro aparato

AVISO

Los bordes afilados del aparato pueden dañar el panel frontal del cajón calentaplatos.

- ▶ Tener cuidado de no dañar el panel frontal del cajón calentaplatos al introducir el aparato.
- ▶ Antes de montar otro aparato, abrir el cajón de calentamiento, colocar un trapo en el panel frontal y cerrar el cajón para proteger el panel frontal del cajón contra posibles daños.

1. Combinar solo aparatos adecuados que pertenezcan a la misma marca y la misma serie.
2. Tener en cuenta las instrucciones de combinación con otros aparatos. → *Página 24*
3. Montar primero el cajón calentaplatos.
4. Introducir el aparato en el cajón calentaplatos del armario empotrado.
5. Tener en cuenta las instrucciones de montaje del aparato.
6. Retirar el trapo del cajón calentaplatos.

7 Comprobación del funcionamiento

Una vez completados los pasos de instalación, comprobar si el aparato funciona correctamente.

1. Conectar la alimentación eléctrica en el panel de servicio.
2. Para comprobar el cajón calentaplatos, seleccionar un modo de funcionamiento. Ver el manual para

consultar las instrucciones de funcionamiento detalladas.

3. Verificar que el indicador de funcionamiento parpadee y que el cajón calentaplatos empiece a precalentar.

8 Servicio de atención al cliente

En cada reparación cubierta por la garantía, nos aseguramos de que su aparato sea reparado con repuestos originales por un proveedor de servicio capacitado y autorizado. Solo utilizamos repuestos originales para todos los tipos de reparaciones. Nuestro servicio al cliente le proporcionará piezas de repuesto originales, funcionales y disponibles en inventario hasta 15 años a partir de la fecha de introducción del aparato en el mercado. Para más información, contactar con nuestro servicio al cliente.

Las informaciones detalladas sobre el periodo de validez de la garantía y las condiciones de garantía las podrá encontrar en nuestras condiciones de garantía, con su distribuido o en nuestra página web.

USA:

1-877-442-4436

www.gaggenau.com

www.gaggenau.com/us/appliances/eshop

CA:

1-877-442-4436

www.gaggenau.com

www.gaggenau.ca

Aquí podrá encontrar ayuda para la conexión con Home Connect®:

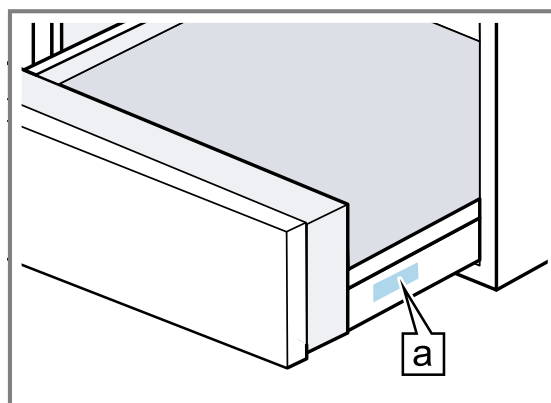
www.home-connect.com/us/en/help-support/set-up

(FD) y en número de conteo (Z-Nr.), que puede encontrar en la placa de características del aparato. Para volver a encontrar rápidamente los datos del aparato o el número de teléfono del servicio de atención al cliente, puede anotar dichos datos.

8.2 Ubicación de la placa de características del aparato

Puede encontrar la placa de características del aparato:

- en el lado derecho del cajón. Abrir el cajón para verla.

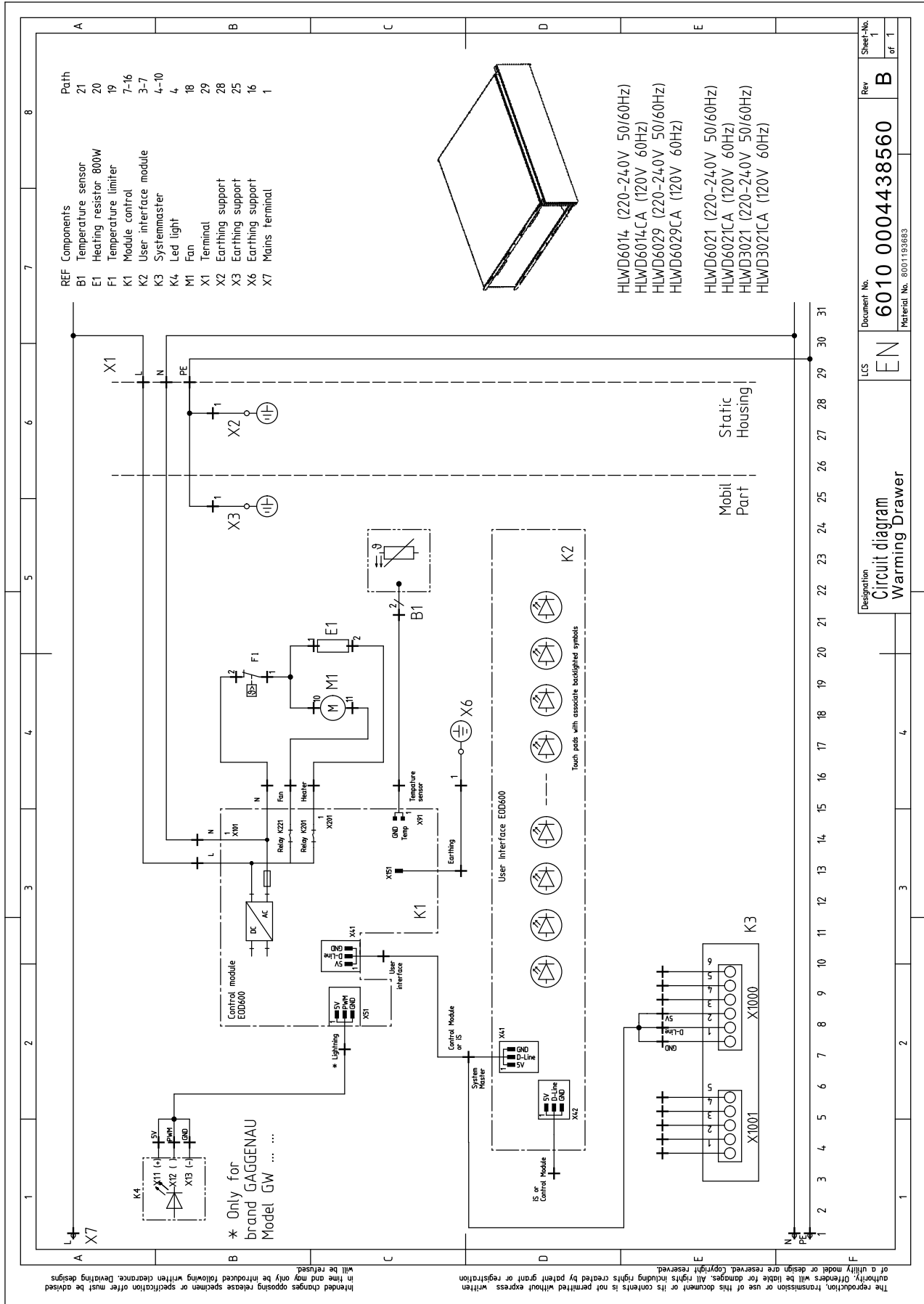


a Placa de características

8.1 Número de modelo (E-Nr.), número de fabricación (FD) y número de conteo (Z-Nr.)

Si contacta al servicio de atención al cliente, necesita el número de modelo (E-Nr.) y el número de fabricación

9 Diagrama de cableado



The difference is Gaggenau

gaggenau.com

BSH Home Appliances Corporation

1901 Main Street, Suite 600

Irvine, CA 92614

USA

www.gaggenau.com

1-877-442-4436

© 2026 BSH Home Appliances Corporation



9001903391 (060401)
en-us, fr-ca, es-mx