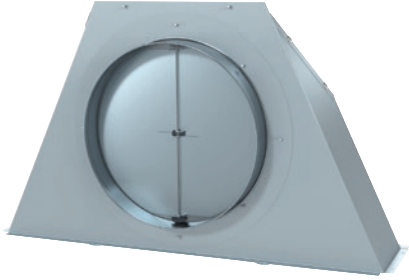


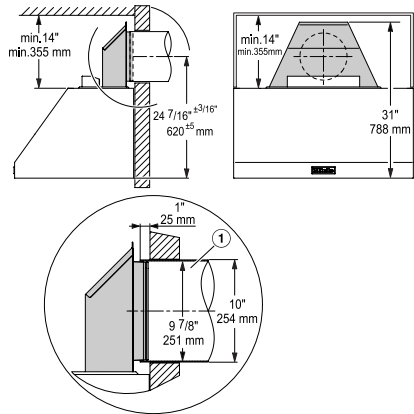
Rear extraction connection conversion kit
for converting the exhaust socket from the top to the rear.

EAN: 4002515836453 / Material number: 10406330 / Old Material Number: 28996368USA



- Suitable for DAR 11xx and DAR 12xx
- Flexible adjustment of vent connection to installation situation

Rear extraction connection conversion kit
for converting the exhaust socket from the top to the rear.



DRRV1200 (Skizze) – USA

1) On site vent ducting