

PRODUCT FEATURES

- Largest surface cooking capacity, including two 11" zones
- Industry first - matte finish durable scratch and stain resistant cooking surface
- Most powerful cooking zone available at 7,400-Watts
- Versatile and efficient cooking surface with six individual, oversized cooking zones
- Two bridge functions creating dual power zones for oversized cookware like roasting pans and griddles
- Patent-pending, power-level indicator light for each zone
- Instant response and precise control on each cooking zone with nine levels of heat, plus simmer and keep warm options
- Power Optimization System for uninterrupted cooking
- Extra-Large True Convection oven offers even and consistent multi-rack cooking
- Fits commercial-size 18" x 26" baking sheets
- 8 cooking modes including Bake, Convect Bake, Roast, Convect Roast, Convect, Broil, Proof and Dehydrate, plus Sabbath setting and temperature probe
- Intuitive color 7" touchscreen control with Quick Start cooking in 3 easy touches
- Environmentally friendly, gentle 90-minute express cleaning mode + ContinuClean™ technology
- Unmatched customization - choose from 1,000+ colors and multiple trim options
- Handcrafted in Pennsylvania since 1880

SPECIFICATIONS

Overall Dimensions: 47 7/8"W x 26 1/2"D x 35 3/4" - 36 1/2"
 Top Burner Boost Rating: 3,700 W
 Top Burner Rating: 2,100 W
 Left Bridge: 7,400 W | Right Bridge: 3,700 W
 Large Oven Interior: 26 1/4"W x 20"D x 16 5/8"H
 Bake Element Rating: 3500 W (2500 W Inner/1000 W Outer)
 Broiler Rating: 5,000 W Total (2500 W Inner / 2500 W Outer)
 Convection Element Rating: 2800 W
 Small Oven Interior: 14 1/8"W x 20"D x 16 5/8"H
 Small Oven Bake Element Rating: 2100 W
 Small Oven Convection Element Rating: 2800 W
 Electrical Requirements: 240/208 VAC, 60Hz, 50 AMPS
 Unit must be on a Non-GFI, dedicated outlet



MODEL INFORMATION

48" Induction Range

BSPIR486Z

ZONE CONFIGURATION

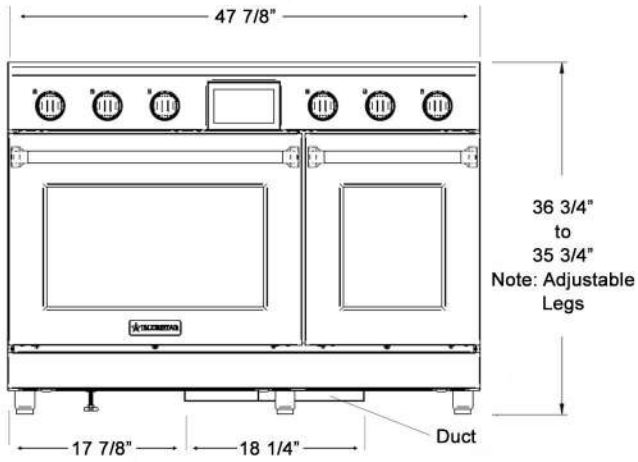


ADDITIONAL CUSTOMIZATION OPTIONS

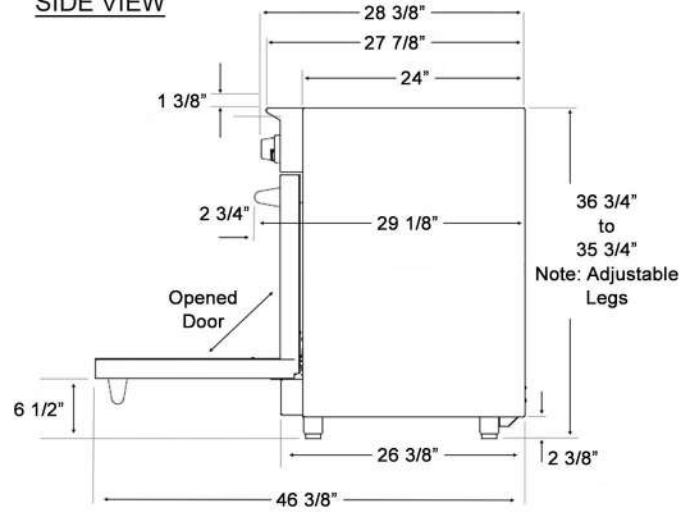
- 1,000+ Colors
- Multiple trim options
- Painted knobs in over 190 color options

All specifications subject to change with out notice

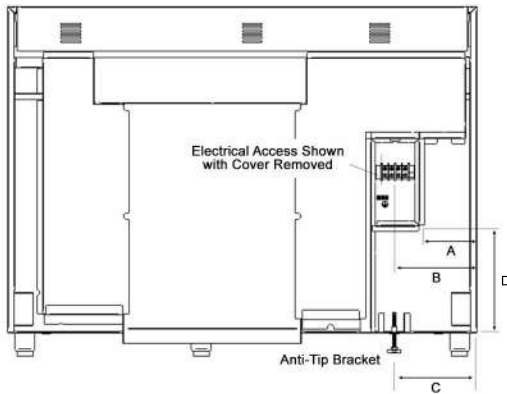
FRONT VIEW



SIDE VIEW



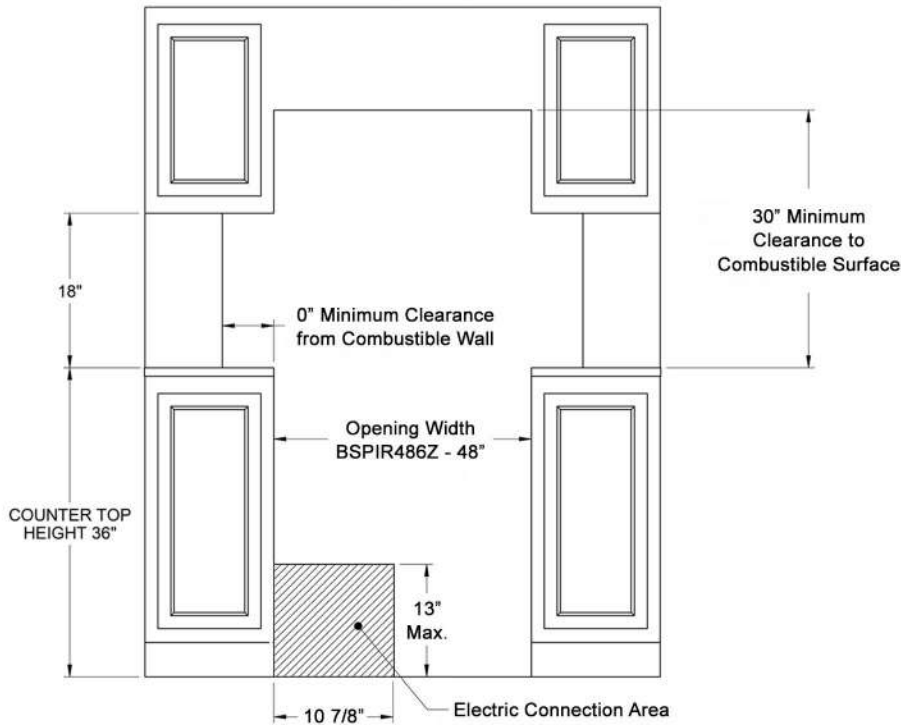
BACK VIEW



Electrical Dimensions Cover			
DIMENSION "A"	DIMENSION "B"	DIMENSION "C"	DIMENSION "D"
3 5/16"	8 3/8"	8 7/16"	13 5/8"

FRONT VIEW

Ventilation hood recommended for all installations at 30" - 36" above cooktop surface



SIDE VIEW

