

**Gaggenau**

en-us	Use and Care Manual	2
fr-ca	Manuel d'utilisation	18
es-mx	Manual del usuario	35

# AL400722, AL400792

Hood

Hotte

Campana

## Table of contents

<b>1 IMPORTANT SAFETY INSTRUCTIONS.....</b>	<b>3</b>	8.13 Removing the filter cover.....	12
1.1 Safety definitions.....	3	8.14 Cleaning the filter cover.....	13
1.2 General information.....	3	8.15 Hooking in the filter cover .....	13
1.3 Safe use.....	3	<b>9 Troubleshooting.....</b>	<b>14</b>
1.4 Child safety .....	5	<b>10 Customer Service.....</b>	<b>15</b>
1.5 Proper installation and maintenance .....	6	10.1 Model number (E-Nr.) and production number (FD).....	15
1.6 State of California Proposition 65 Warnings .....	6	10.2 Rating plate location.....	15
<b>2 Preventing material damage .....</b>	<b>7</b>	<b>11 Disposal .....</b>	<b>15</b>
<b>3 Environmental protection and energy-saving .....</b>	<b>7</b>	11.1 Disposal of your old appliance.....	15
3.1 Disposal of packaging .....	7	<b>12 STATEMENT OF LIMITED PRODUCT WARRANTY .....</b>	<b>15</b>
3.2 Saving energy .....	7	12.1 What this warranty covers & Who it applies to.....	15
<b>4 Operating modes .....</b>	<b>7</b>	12.2 How long the warranty lasts .....	15
4.1 Exhaust-air mode.....	7	12.3 Repair/replace as your exclusive remedy .....	16
4.2 Air recirculation mode .....	7	12.4 Out of warranty product.....	16
<b>5 Familiarizing yourself with your appliance .....</b>	<b>8</b>	12.5 Warranty exclusions .....	16
5.1 Appliance .....	8	12.6 Obtaining warranty service .....	17
5.2 Controls .....	8	12.7 Product information .....	17
5.3 Safety shut-off.....	8		
<b>6 Before using for the first time .....</b>	<b>9</b>		
<b>7 Basic Operation .....</b>	<b>9</b>		
7.1 Extending the appliance.....	9		
7.2 Retracting the appliance .....	9		
7.3 Switching on the appliance.....	9		
7.4 Switching off the appliance.....	9		
7.5 Selecting the fan setting.....	9		
7.6 Switching on intensive mode.....	9		
7.7 Switching off intensive mode.....	9		
7.8 Switching on the fan run-on.....	9		
7.9 Switching off the fan run-on.....	10		
7.10 Switching on interval ventilation .....	10		
7.11 Switching off interval ventilation .....	10		
7.12 Switching on the lighting .....	10		
7.13 Setting the brightness .....	10		
7.14 Switching off the lighting .....	10		
7.15 Resetting the saturation indicator .....	10		
<b>8 Cleaning and maintenance.....</b>	<b>10</b>		
8.1 Cleaning agents .....	10		
8.2 Cleaning the appliance.....	10		
8.3 Cleaning the controls .....	11		
8.4 Opening the filter cover .....	11		
8.5 Removing the grease filter .....	11		
8.6 Cleaning the grease filters manually .....	12		
8.7 Cleaning the grease filters in the dishwasher .....	12		
8.8 Removing the grease drain channels .....	12		
8.9 Cleaning the grease drain channels .....	12		
8.10 Inserting the grease drain channels .....	12		
8.11 Fitting the grease filters.....	12		
8.12 Closing the filter cover.....	12		



# IMPORTANT SAFETY INSTRUCTIONS

## READ AND SAVE THESE INSTRUCTIONS

Read all of the instructions carefully before using the appliance. In order to reduce the risk of fire, electric shocks and personal injuries when using the appliance, follow the basic safety precautions, including the following safety instructions.

### 1.1 Safety definitions

Here you can find explanations of the safety signal words used in this manual.

#### **WARNING**

This indicates that death or serious injuries may occur as a result of non-observance of this warning.

#### **CAUTION**

This indicates that minor or moderate injuries may occur as a result of non-observance of this warning.

#### **NOTICE:**

This indicates that damage to the appliance or property may occur as a result of non-compliance with this advisory.

**Note:** This alerts you to important information.

### 1.2 General information

Here you can find general information about this manual.

- Please read this manual carefully.
- Observe the safety instructions and warnings.
- Keep the manual and the product information in a safe place for future reference or for the next owner.
- Check the appliance for damage after unpacking it. Do not connect the appliance if it has been damaged in transit.

This appliance is intended for use up to a maximum height of 6,560 feet (2000 meters) above sea level.

### 1.3 Safe use

#### **WARNING**

When properly cared for, your new appliance has been designed to be safe and reliable.

- ▶ Read all instructions carefully before use. These precautions will reduce the risk of burns, electric shock, fire, and injury to persons.
- ▶ When using kitchen appliances, basic safety precautions must be followed, including those in the following pages.

#### **CAUTION**

For general ventilating use only.

- ▶ To avoid a fire or explosion hazard, do not use to exhaust hazardous or explosive materials and vapors.

#### **WARNING**

TO REDUCE THE RISK OF A RANGE TOP GREASE FIRE

- ▶ Never Leave Surface Units Unattended at High Settings - Boilovers cause smoking and greasy spillovers that may ignite. Heat oils slowly on low or medium settings.
- ▶ Always turn hood ON when cooking at high heat.
- ▶ Clean ventilating fans frequently. Grease should not be allowed to accumulate on fan or filter.
- ▶ Use proper pan size. Always use cookware appropriate for the size of the surface element.
- ▶ Do not flambé under the extractor hood or work with a naked flame. When switched on, the extractor hood draws flames into the filter. There is a risk of fire due to deposits on the grease filter!

A fire could occur during cooking.

- ▶ Always have a working smoke detector near the kitchen.
- ▶ Have an appropriate fire extinguisher available, nearby, highly visible and easily accessible near the appliance. In the event that personal clothing or hair catches fire, drop and roll immediately to extinguish flames. Do Not Use Water on Grease Fires.
- ▶ Smother fire or flame or use dry chemical or foam-type extinguisher.

There is a risk of fire, if cleaning is not carried out in accordance with the instructions in the section on cleaning and maintenance → *Page 10*. Grease deposits in the grease filter can ignite.

- ▶ Clean the grease filter at least every two months or more often if necessary.
- ▶ Never operate the appliance without the grease filter. Grease deposits in the grease filter can catch fire.
- ▶ Never work with a naked flame near the appliance (e.g. flambéing).
- ▶ Install the unit near a heat-producing appliance for solid fuels (e.g. wood or coal) only if there is a closed, non-detachable cover. There must be no flying sparks.



# IMPORTANT SAFETY INSTRUCTIONS

## READ AND SAVE THESE INSTRUCTIONS

Operating several gas burners at the same time gives rise to a great deal of heat. The ventilation appliance may become damaged or catch fire.

- ▶ The ventilation appliance must only be combined with gas burners that do not exceed the maximum total output of 61,000 BTU/hr (18 kW). If 41,000 BTU/hr (12 kW) is exceeded, the local regulations concerning room ventilation, room size, and combination with ventilation devices in exhaust and recirculating operation must be followed.

Hot oil and fat catch fire fast.

- ▶ Never leave hot oil and fat unsupervised.
- ▶ Never extinguish a fire with water.
- ▶ Switch off the cooking position.
- ▶ Suffocate flames carefully with a lid, a fire blanket or similar.

### WARNING

The accessible parts get hot during operation.

- ▶ Never touch hot parts.
- ▶ Keep children away.

Be sure the entire appliance (including the grease filters and light bulbs, if applicable) has cooled and grease has solidified before attempting to clean any part of the appliance.

### WARNING

Do not operate any extractor hood with a damaged cord or plug.

- ▶ Contact the manufacturer or an authorized service provider for repair.

Do not run cord under carpeting.

- ▶ Do not cover cord with throw rugs, runners, or similar coverings.
- ▶ Do not route cord under furniture or appliances.
- ▶ Arrange cord away from traffic area and where it will not be tripped over.

### WARNING

Items placed on the appliance may fall down.

- ▶ Do not place any objects on the appliance.

Storage in or on Appliance - The use of corrosive chemicals in heating or cleaning will damage the appliance and could result in injury.

- ▶ Flammable materials, corrosive chemicals, vapors or non-food products should not be stored or used in an oven or on or near surface units.
- ▶ The appliance is specifically designed for use when heating or cooking food.

This appliance is intended for normal family household use only. It is not approved for outdoor use. See the Statement of Limited Product Warranty. If you have any questions, contact the manufacturer.

### WARNING

TO REDUCE THE RISK OF INJURY TO PERSONS IN THE EVENT OF A RANGE TOP GREASE FIRE, OBSERVE THE FOLLOWING.

- ▶ **SMOTHER FLAMES** with a close-fitting lid, cookie sheet, or metal tray, then turn off the burner. **BE CAREFUL TO PREVENT BURNS.** If the flames do not go out immediately, **EVACUATE AND CALL THE FIRE DEPARTMENT.**
- ▶ **NEVER PICK UP A FLAMING PAN** – You may be burned.
- ▶ **DO NOT USE WATER**, including wet dishcloths or towels – a violent steam explosion will result.
- ▶ Use an extinguisher **ONLY** if:
  - You know you have a Class ABC extinguisher, and you already know how to operate it.
  - The fire is small and contained in the area where it started.
  - The fire department is being called.
  - You can fight the fire with your back to an exit.

### WARNING

Flames can be drawn into the ventilation system.

- ▶ Whenever possible, do not operate the ventilation system during a cooktop fire. However, do not reach through fire to turn it off.

### WARNING

The light emitted by LED lights is very dazzling, and can damage the eyes.

- ▶ Do not look directly into the switched-on LED lights for longer than 100 seconds.

### WARNING

Moisture intrusion may cause an electric shock.

- ▶ Do not use any steam cleaners or high-pressure cleaners to clean the appliance.

### WARNING

TO REDUCE THE RISK OF FIRE, ELECTRIC SHOCK, OR INJURY TO PERSONS, OBSERVE THE FOLLOWING:

- ▶ Use this unit only in the manner intended by the manufacturer. If you have questions, contact the manufacturer.

→ "Customer Service", Page 15



# IMPORTANT SAFETY INSTRUCTIONS

## READ AND SAVE THESE INSTRUCTIONS

- ▶ Before servicing or cleaning the unit, switch power off at service panel and lock service panel. This will prevent power from being switched on accidentally. When the service panel cannot be locked, securely fasten a prominent warning device, such as a tag to the service panel.

### WARNING

To reduce the risk of fire or electric shock, do not use this appliance with any solid-state speed control device. Unattended cooking processes can cause a fire.

- ▶ This appliance is not intended for operation with an external clock timer or a remote control.

### WARNING

To avoid risk of injury from a damaged appliance or power cord, observe the following.

- ▶ Never operate a damaged appliance.
- ▶ Never pull on the power cord to unplug the appliance. Always unplug the appliance at the power outlet.
- ▶ If the appliance or the power cord is damaged, immediately unplug the power cord or switch off the breaker in the circuit breaker box.
- ▶ Call Customer Service. → *Page 15*

### WARNING

While cooking food items, small amounts of certain by-products, such as particulate matter / soot, can be released. To minimize exposure to these substances:

- ▶ Always ensure proper ventilation by using an appropriate ventilation fan or hood vented to the outside and/or an open window.
- ▶ Always operate the unit according to the instructions in this manual.

### WARNING

Overheated materials can cause fire or burns and may produce potentially harmful smoke or fumes.

- ▶ To prevent overheating, turn ventilation hood ON when heating grease, fats or frying using medium to high heat settings.
- ▶ Avoid heating empty pots and pans.
- ▶ Do not allow pans to boil dry.
- ▶ Do not allow aluminum foil, plastic, paper, or cloth to come in contact with a hot surface element, burner, or grate.

### WARNING

To avoid risk of fire, do not leave the cooktop unattended while in use. Unattended cooking can lead to fire hazards, property damage, and injury. Always supervise cooking,

especially when using high heat with oils and fats. Boilovers may cause smoking and greasy spillovers may ignite.

## 1.4 Child safety

This appliance is not intended for use by persons (including children) with reduced physical, sensory or mental capabilities, or lack of experience and knowledge, unless they have been given supervision or instruction concerning use of the appliance by a person responsible for their safety.

When children become old enough to use the appliance, it is the responsibility of the parents or legal guardians to ensure that they are instructed in safe practices by qualified persons.

Children should be supervised to ensure that they do not play with the appliance.

### WARNING

Do not allow children to use this appliance unless closely supervised by an adult.

- ▶ Children and pets should not be left alone or unattended in the area where the appliance is in use. They should never be allowed to play in its vicinity, whether or not the appliance is in use.

Do not allow anyone to climb, stand, lean, sit, or hang on any part of an appliance.

### CAUTION

Do not store items of interest to children in cabinets above an appliance or on the backguard of an appliance. Children climbing on the appliance to reach items could be seriously injured.

### WARNING

The control unit must be installed in a location where the cord cannot be easily reached by children.

### WARNING

Remove all tape and packaging before using the appliance.

- ▶ Destroy the packaging after unpacking the appliance.
- ▶ Dispose of packaging in an environmentally responsible manner.
- ▶ Never allow children to play with packaging material.



# IMPORTANT SAFETY INSTRUCTIONS

## READ AND SAVE THESE INSTRUCTIONS

### 1.5 Proper installation and maintenance

#### WARNING

In the event of a malfunction, it might become necessary to turn off the power supply.

- ▶ Have the installer show you the circuit breaker or fuse. Mark it for easy reference.

To avoid electrical shock hazard, before servicing the appliance, turn power off at the service panel and lock the panel to prevent the power from being switched on accidentally.

Proper Installation - Improper installation or grounding can cause electric shock.

- ▶ This appliance must be properly installed and grounded by a qualified technician.
- ▶ Connect only to properly grounded outlet.
- ▶ Refer to installation instructions for details.

User Servicing - Do not repair or replace any part of the appliance unless specifically recommended in this manual.

- ▶ Improper installation, service or maintenance can cause injury or property damage.
- ▶ Refer to this manual for guidance.
- ▶ All other servicing should be referred to an authorized service provider.

#### WARNING

Hidden surfaces may have sharp edges.

- ▶ Use caution when reaching behind or under appliance.

#### WARNING

If the supply cord is damaged, it must be replaced by the manufacturer, its authorized service provider or similar qualified persons in order to avoid hazard.

#### WARNING

Malfunctions can cause injuries.

- ▶ Do not operate this appliance if it is not working properly, or if it has been damaged. Contact an authorized service provider.

#### WARNING

When the hood is operated in exhaust-air mode simultaneously with a different burner which also makes use of the same chimney (such as gas, oil or coal-fired heaters, continuous-flow heaters, hot-water boilers) care must be taken to ensure that there is an adequate supply of fresh air which will be needed by the burner for combustion. Safe operation is possible provided that the under pressure in the room where the burner is installed does not exceed 4 Pa (0.04 mbar). This can be achieved

if combustion air can flow through non-lockable openings, e.g. in doors, windows and via the air-intake/exhaust-air wall box or by other technical measures, such as reciprocal interlocking, etc.

#### CAUTION

Grease left on filters can remelt and move into the vent.

#### WARNING

Avoid carbon monoxide poisoning – Provide adequate air intake so combustion gases are not drawn back into the room. An air-intake/exhaust-air wall box by itself is no guarantee that the limiting value will not be exceeded.

- ▶ Note: When assessing the overall requirement, the combined ventilation system for the entire household must be taken into consideration. This rule does not apply to the use of cooking appliances, such as cooktops and ovens.

#### WARNING

To reduce the risk of fire, electric shock or injury to persons, do not use replacement parts that have not been recommended by the manufacturer (e.g. parts made at home using a 3D printer).

### 1.6 State of California Proposition 65 Warnings

This product may contain a chemical known to the State of California, which can cause cancer or reproductive harm. Therefore, the packaging of your product may bear the following label as required by California:

**STATE OF CALIFORNIA PROPOSITION 65 WARNING:**

 **WARNING**

Cancer and Reproductive Harm - [www.P65Warnings.ca.gov](http://www.P65Warnings.ca.gov)

## 2 Preventing material damage

### NOTICE:

Condensation may cause corrosion damage.

- ▶ To prevent condensation from building up, switch on the appliance during cooking.

If moisture gets into the controls, this may result in damage.

- ▶ Never clean controls with a wet cloth.

Incorrect cleaning damages the surfaces.

- ▶ Follow the cleaning instructions.
- ▶ Do not use harsh or abrasive cleaning agents.
- ▶ Clean stainless steel surfaces in the grain direction only.
- ▶ Never clean controls with stainless steel cleaners.

## 3 Environmental protection and energy-saving

### 3.1 Disposal of packaging

The packaging materials are environmentally compatible and can be recycled.

- ▶ Sort the individual components by type and dispose of them separately.

### 3.2 Saving energy

If you follow these instructions, your appliance will use less power.

Adjust the fan speed to the amount of steam produced during cooking.

- ✓ The lower the fan speed, the less energy is consumed. Only use the intensive mode as required.

If cooking produces large amounts of steam, select a higher fan speed early.

- ✓ The odors are distributed around the room less.

Switch off the lighting if you no longer require it.

- ✓ When the lighting is switched off, it does not consume any energy.

Clean or replace the filters at the specified intervals.

- ✓ The effectiveness of the filters is retained.

Put the cooking lid on.

- ✓ The cooking vapors and condensation are reduced.

Only use the additional functions if required.

- ✓ Switching off additional functions reduces power consumption.

## 4 Operating modes

You can use your appliance in exhaust air mode or circulating air mode.

### 4.1 Exhaust-air mode

The air that is drawn in is cleaned by the grease filters and conducted to the outside via a duct system.



The air must not be discharged into a flue that is used for exhaust fumes from appliances burning gas or other fuels (not applicable for recirculation appliances).

- If the exhaust air is to be conducted into a non-functioning smoke or exhaust gas flue, you must obtain the consent of the responsible area heating inspector.
- If the exhaust air is conducted through the outer wall, a telescopic wall box should be used.

### 4.2 Air recirculation mode

The air which is drawn in is cleaned by the grease filters and an odor filter, and conveyed back into the room.



To bind odors in air recirculation mode, you must install an odor filter. The different options for operating the appliance in air recirculation mode can be found in our catalog. Alternatively, ask your dealer. The required accessories are available from specialist retailers, from Customer Service, or from the online shop.

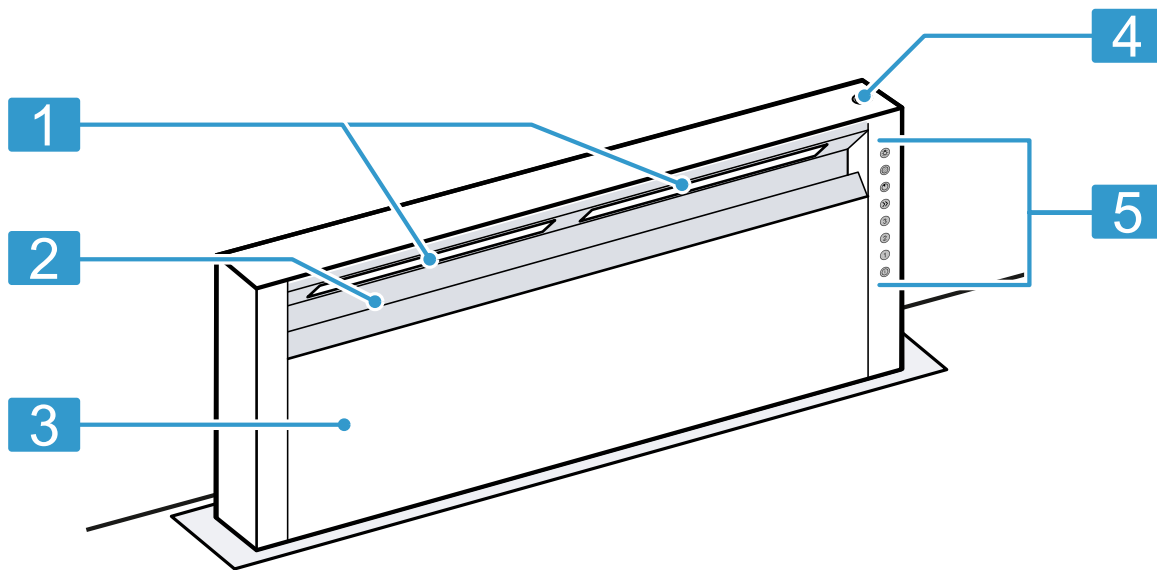
**Note:** When cooking intensively and for a long time, moisture is released into the air in the room. When using the appliance in air recirculation mode, we recommend ventilating the kitchen adequately, e.g. by briefly opening a window to remove excessive moisture.

## 5 Familiarizing yourself with your appliance

This Use and Care Manual covers several models. Your model may have some but not all of the features listed.

### 5.1 Appliance

Here you can find an overview of the parts of your appliance.



<b>1</b>	LED lights
<b>2</b>	Vent opening
<b>3</b>	Filter cover
<b>4</b>	Lift button
<b>5</b>	Control panel

### 5.2 Controls

You can use the control panel to configure all functions of your appliance and to obtain information about the operating status.

All function selection buttons light up when they are active. The "saturation indicator" control light flashes.

	Switches the lighting on or off
	Resets the filter saturation indicator
	Switches the fan run-on on or off
	Switches the intensive mode on or off
<b>3</b>	Switches fan setting 3 on or off

<b>2</b>	Switches fan setting 2 on or off
<b>1</b>	Switches fan setting 1 on or off
	Switches the appliance on or off

### 5.3 Safety shut-off

For your protection, the appliance has a safety shut-off function.

The appliance switches the lighting off after 12 hours and the ventilation system after 4 hours if you do not operate the appliance during this period.

## 6 Before using for the first time

Clean the appliance and the accessories.

## 7 Basic Operation

### 7.1 Extending the appliance

#### ⚠ WARNING

Risk of becoming trapped when retracting or extending the appliance.

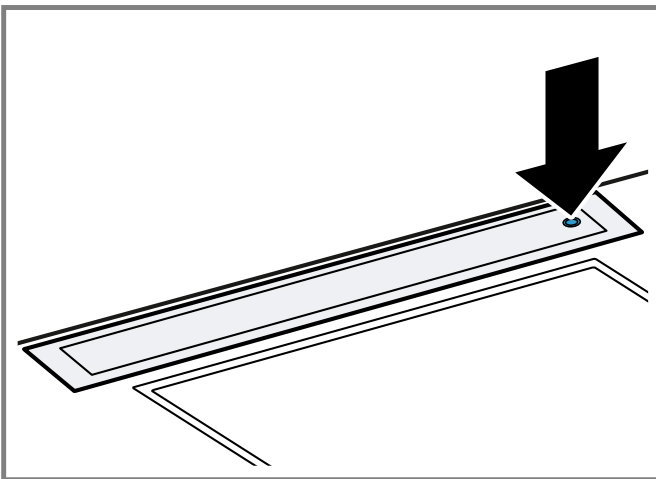
- ▶ Never reach into the movement area of the appliance when it is retracting or extending.
- ▶ Keep children away from the appliance.

#### ⚠ WARNING

Cookware set down within the movement area of the appliance may fall over. Hot liquids that pour out can cause injury.

- ▶ Do not set down any cookware within the movement area of the appliance.

1. Remove any objects from the appliance's area of movement.
2. Press the button on the top of the appliance.



- ✓ The appliance extends fully.

### 7.2 Retracting the appliance

#### ⚠ WARNING

Risk of becoming trapped when retracting or extending the appliance.

- ▶ Never reach into the movement area of the appliance when it is retracting or extending.
- ▶ Keep children away from the appliance.

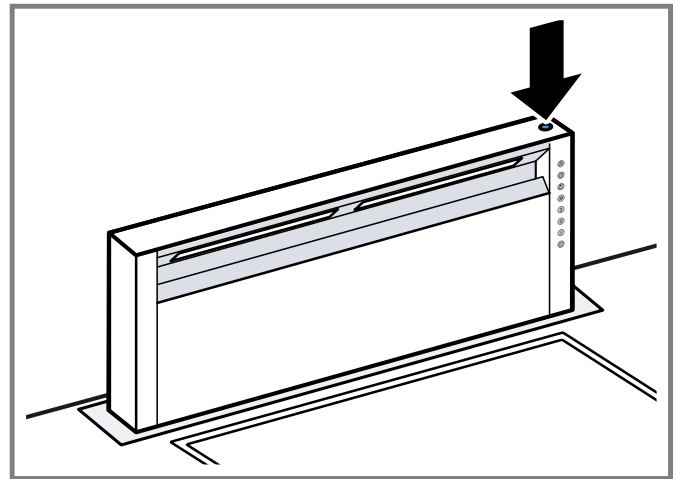
#### ⚠ WARNING

Cookware set down within the movement area of the appliance may fall over. Hot liquids that pour out can cause injury.

- ▶ Do not set down any cookware within the movement area of the appliance.

**Requirement:** The filter cover is completely closed.

1. Remove any objects from the appliance's area of movement.
2. Press the button on the top of the appliance.



- ✓ The appliance retracts fully.
- ✓ The appliance switches the light and the ventilation system off.

### 7.3 Switching on the appliance

**Requirement:** The appliance is fully extended.

- ▶ Press ①.
- ✓ The appliance starts at fan setting 2.

### 7.4 Switching off the appliance

- ▶ Press ①.

### 7.5 Selecting the fan setting

- ▶ Press 1, 2, 3 or >> to set the fan setting.

### 7.6 Switching on intensive mode

If particularly strong odors or vapors develop, you can use intensive mode.

1. Press ①.
- ✓ The appliance starts at fan setting 2.
2. Press >>.
- ✓ The intensive mode is activated.
- ✓ After around 6 minutes, the appliance switches back to the fan setting that was previously selected.

### 7.7 Switching off intensive mode

- ▶ Press ①, 1, 2 or 3.
- ✓ Intensive mode is ended early.


### 7.8 Switching on the fan run-on

The fan run-on is available for every fan setting.

1. Press 1, 2, 3 or >>.
2. Press ①.
- ✓ The fan run-on starts at the selected fan setting.



- ✓ The appliance switches off after around 10 minutes.
- ✓ The lighting remains on once the fan run-on time has elapsed.

## 7.9 Switching off the fan run-on


- ▶ Press .
- ✓ The fan run-on ends before the end of the remaining run-on time.

## 7.10 Switching on interval ventilation

With interval ventilation, the appliance switches the ventilation on and off at regular intervals.

1. Press 1, 2 or 3.
  2. Press  twice.
- ✓  and the symbol for the selected fan setting flash alternately.
  - ✓ Interval ventilation is switched on.
  - ✓ The appliance switches on the ventilation system for 10 minutes every hour in each case.

## 7.11 Switching off interval ventilation


- ▶ Press .
- ✓ Interval ventilation is switched off.

## 7.12 Switching on the lighting

The lighting can be switched on and off independently of the ventilation system.

- ▶ Press .


## 7.13 Setting the brightness


- ▶ Press and hold  until the required brightness is reached.

## 7.14 Switching off the lighting

- ▶ Press .

## 7.15 Resetting the saturation indicator

After 30 hours of operation, the saturation indicator  for the grease filters flashes.

1. Clean the grease filters.
2. Press .

---

## 8 Cleaning and maintenance

To keep your appliance working efficiently for a long time, it is important to clean and maintain it carefully.

### 8.1 Cleaning agents

You can obtain suitable cleaning products from Customer Service or the online shop.

#### WARNING

Moisture intrusion may cause an electric shock.

- ▶ Before cleaning, pull out the power plug or switch off the circuit breaker in the circuit breaker box.
- ▶ Do not use any steam cleaners or high-pressure cleaners to clean the appliance.

#### WARNING

The appliance becomes hot during operation.

- ▶ Allow the appliance to cool down before cleaning.

#### **NOTICE:**

Unsuitable cleaning agents may damage the surfaces of the appliance.

- ▶ Do not use strong or abrasive cleaning agents.
- ▶ Do not use cleaning agents with a high alcohol content.
- ▶ Do not use hard scouring pads or cleaning sponges.
- ▶ Only use glass cleaners, glass scrapers or stainless steel care products if recommended in the cleaning instructions for the relevant part.
- ▶ Wash sponge cloths thoroughly before use.

### 8.2 Cleaning the appliance

Clean the appliance as specified. This will ensure that the different parts and surfaces of the appliance are not damaged by incorrect cleaning or unsuitable cleaning products.

#### WARNING

Highly caustic alkaline or highly acidic cleaning agents in conjunction with aluminum parts in the interior of the appliance may cause explosions.

- ▶ Never use highly caustic alkaline or highly acidic cleaning agents. In particular, do not use commercial or industrial cleaning agents in conjunction with aluminum parts, e.g. grease filter on extractor hoods.

#### WARNING

Moisture intrusion may cause an electric shock.

- ▶ Before cleaning, pull out the power plug or switch off the circuit breaker in the circuit breaker box.
- ▶ Do not use any steam cleaners or high-pressure cleaners to clean the appliance.

#### WARNING

The appliance becomes hot during operation.

- ▶ Allow the appliance to cool down before cleaning.

**⚠ WARNING**

Components inside the appliance may have sharp edges.

► Clean the appliance interior carefully.

1. Observe the information regarding the cleaning agents.  
→ "Cleaning agents", Page 10
2. Clean as follows, depending on the surface:
  - Clean stainless steel surfaces in the direction of the finish using a sponge cloth and hot soapy water.
  - Clean painted surfaces using a damp sponge cloth and hot soapy water.
  - Clean aluminum using a soft cloth and glass cleaner.
  - Clean plastic using a soft cloth and glass cleaner.
  - Clean glass using a soft cloth and glass cleaner.
3. Dry with a soft cloth.
4. Apply a thin layer of the stainless steel cleaning product to stainless steel surfaces using a soft cloth.

You can obtain stainless steel cleaning products from customer service or the online shop.

**8.3 Cleaning the controls****⚠ WARNING**

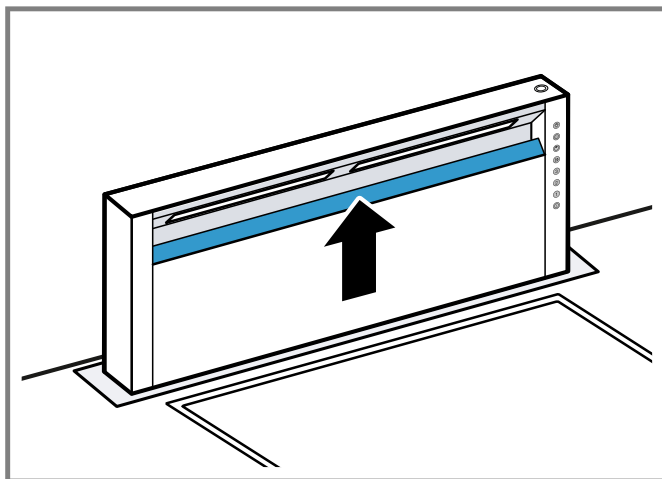
An ingress of moisture may cause an electric shock.

► Do not use wet sponge cloths.

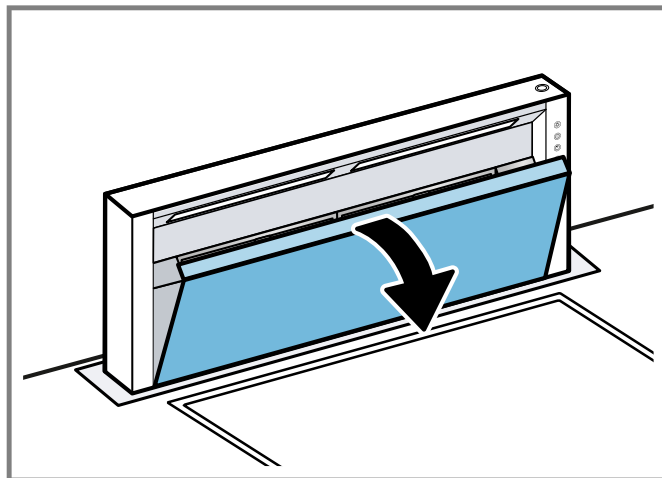
1. Observe the information regarding the cleaning agents.  
→ "Cleaning agents", Page 10
2. Clean using a damp sponge cloth and hot soapy water.
3. Dry with a soft cloth.

**8.4 Opening the filter cover**

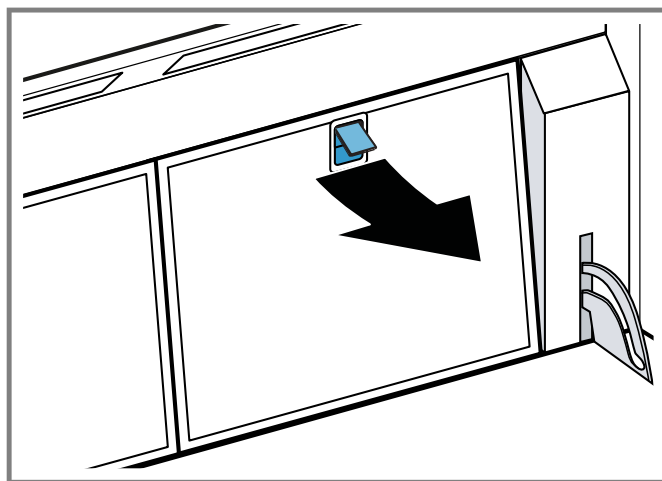
1. Grip the filter cover in the middle and pull it upward.



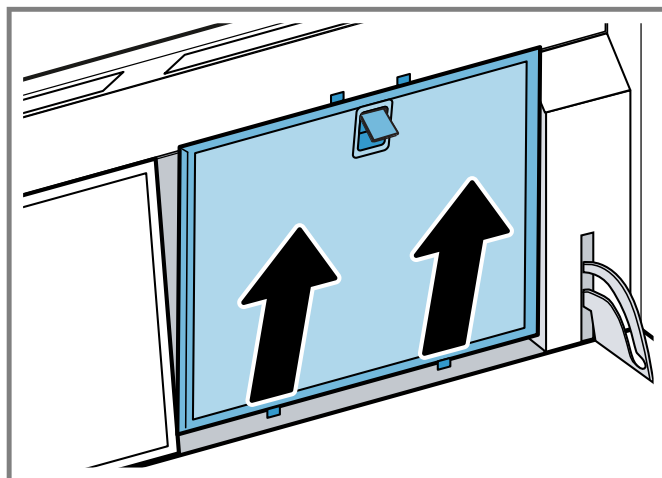
2. Fold the filter cover forward.

**8.5 Removing the grease filter**

1. Open the locking mechanism and fold the grease filter forwards.



2. Remove the grease filters from the holders.



To prevent grease from dripping, hold the grease filter horizontally.

3. Clean the grease filter holder in the appliance using a damp cloth.

## 8.6 Cleaning the grease filters manually

The grease filters filter the grease from the cooking vapors. Regularly cleaned grease filters help ensure a high level of grease separation. We recommend cleaning the grease filters every 2 months.

### **⚠ WARNING**

Fatty deposits in the grease filters may catch fire.

- ▶ Clean the grease filters regularly.

**Requirement:** The grease filters have been removed.

→ "Removing the grease filter", Page 11

1. Observe the information regarding the cleaning agents.  
→ "Cleaning agents", Page 10
2. Soak the grease filter in hot soapy water.  
Use special degreaser solvent for stubborn dirt. You can purchase degreaser from Customer Service or the online shop.
3. Use a brush to clean the grease filters.
4. Rinse the grease filters thoroughly.
5. Allow the grease filters to drain.

## 8.7 Cleaning the grease filters in the dishwasher

The grease filters filter the grease from the cooking vapors. Regularly cleaned grease filters help ensure a high level of grease separation. We recommend cleaning the grease filters every 2 months.

### **⚠ WARNING**

Fatty deposits in the grease filters may catch fire.

- ▶ Clean the grease filters regularly.

### **NOTICE:**

The grease filters may become damaged if they are squeezed in the dishwasher.

- ▶ Do not squeeze the grease filters.

**Note:** When cleaning the grease filter in the dishwasher, light discoloration may occur. This discoloration has no effect on the performance of the metal grease filters.

**Requirement:** The grease filters have been removed.

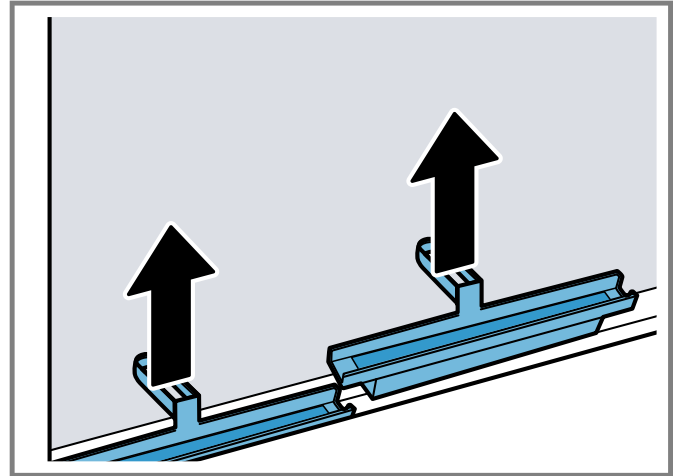
→ "Removing the grease filter", Page 11

1. Observe the information regarding the cleaning agents.  
→ "Cleaning agents", Page 10
2. Place the grease filters loosely into the dishwasher.  
Do not clean heavily soiled grease filters with cookware. Use special degreaser solvent for stubborn dirt. You can purchase degreaser from Customer Service or the online shop.
3. Start the dishwasher.  
Select a temperature of no more than 160 °F (70 °C.)
4. Allow the grease filters to drain.

## 8.8 Removing the grease drain channels

**Note:** To facilitate cleaning, you can remove the grease drain channels.

- ▶ Remove the grease drain channels.



## 8.9 Cleaning the grease drain channels

- ▶ Clean the grease drain channels in the dishwasher or by hand with hot soapy water.

## 8.10 Inserting the grease drain channels

- ▶ Insert the grease drain channels.

## 8.11 Fitting the grease filters

1. Insert the grease filters.
2. Fold the grease filter backwards and engage the locking mechanism.

## 8.12 Closing the filter cover

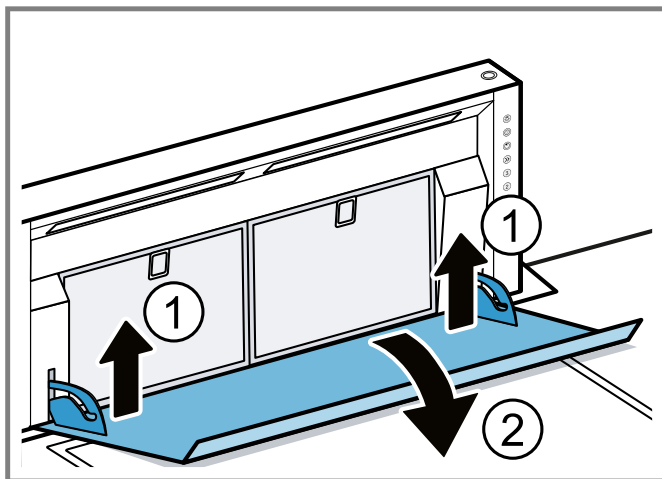
1. Grip the filter cover in the middle and fold it up.  
✓ The filter cover snaps in.
2. Reset the saturation indicator. → Page 10

## 8.13 Removing the filter cover

**Note:** For better cleaning, you can remove the filter cover.

1. Open the filter cover.
2. Grip the filter cover on the side with both hands.

3. Lift up the rear section all the way and pull the filter cover forward.



4. The filter cover can be pulled using the bolts of the holder.

### 8.14 Cleaning the filter cover

- ▶ Clean the filter cover by hand with hot soapy water.

### 8.15 Hooking in the filter cover

1. Grip the filter cover on the side with both hands.
2. Slide the filter cover onto the bolts of the holder.
3. Lift up the filter cover on the front side until it locks into position.

## 9 Troubleshooting

You can eliminate minor issues on your appliance yourself. Please read the information on eliminating issues before contacting Customer Service. This may avoid unnecessary repair visits.

### WARNING

To avoid risk of injury from improper repairs, observe the following.

- ▶ Only qualified technicians or authorized service providers should perform repairs.
- ▶ If the power cord or the appliance power cable of this appliance becomes damaged, it must be replaced with a special power cord or special appliance power cable, which is available from the manufacturer or the manufacturer's Customer Service.
- ▶ If the power cord of this appliance is damaged, it must be replaced by trained, specialist personnel.
- ▶ Only genuine spare parts may be used to repair the appliance.
- ▶ If the appliance has an issue, call Customer Service.

Issue	Cause and troubleshooting
The appliance is not working.	<p>The plug for the power cord is not plugged in.</p> <ul style="list-style-type: none"> <li>▶ Connect the appliance to the power supply.</li> </ul> <hr/> <p>The circuit breaker in the circuit breaker panel has tripped.</p> <ul style="list-style-type: none"> <li>▶ Check the breaker panel.</li> </ul> <hr/> <p>There has been a power failure.</p> <ul style="list-style-type: none"> <li>▶ Check whether the lighting in your kitchen or other appliances in the room are working.</li> </ul> <hr/> <p>The appliance is not connected to the control unit.</p> <ul style="list-style-type: none"> <li>▶ Connect the control unit to the appliance.</li> </ul>
The appliance is not working; all the buttons are flashing.	<p>The plug for the network cable is not plugged in.</p> <ul style="list-style-type: none"> <li>▶ Check the connection of the network cables for all of the appliances.</li> </ul> <hr/> <p>The circuit breaker in the circuit breaker panel has tripped.</p> <ul style="list-style-type: none"> <li>▶ Check the breaker panel.</li> </ul> <hr/> <p>An appliance component has failed.</p> <ul style="list-style-type: none"> <li>▶ Call customer service → <i>Page 15</i>.</li> </ul>
The appliance does not retract.	<p>The filter cover is not closed.</p> <ul style="list-style-type: none"> <li>▶ Close the filter cover completely. → <i>"Closing the filter cover", Page 12</i></li> </ul>
The button illumination does not work.	<p>The control unit is faulty.</p> <ul style="list-style-type: none"> <li>▶ Call customer service → <i>Page 15</i>.</li> </ul>
The LED lighting does not work.	<p>Various causes are possible.</p> <ul style="list-style-type: none"> <li>▶ Defective LED lights may be replaced by the manufacturer, their Customer Service or a qualified technician (electrician) only.</li> <li>▶ Call customer service → <i>Page 15</i>.</li> </ul>
The saturation indicator flashes.	<p>The grease filters are saturated.</p> <ul style="list-style-type: none"> <li>▶ → <i>"Cleaning the grease filters in the dishwasher", Page 12</i></li> <li>▶ Clean the grease filters by hand. → <i>Page 12</i></li> </ul>
Noises when retracting or extending the appliance.	<p>These noises are inherent to the design and have no effect on the how the appliance operates.</p> <ul style="list-style-type: none"> <li>▶ This is normal.</li> </ul> <p>No action required.</p>

## 10 Customer Service

With any warranty repair, we will make sure your appliance is repaired by an authorized service provider using genuine replacement parts. We use only genuine replacement parts for all repairs.

You can obtain function-relevant and storable genuine spare parts from our Customer Service for up to 15 years from the date on which your appliance was placed on the market.

For more information, please contact our Customer Service team.

Detailed information on the warranty period and terms of warranty can be found in the Statement of Limited Product Warranty, from your retailer, or on our website.

The LED light sources are available as a spare part and should only be replaced by an authorized service provider.

USA:

1-877-442-4436

www.gaggenau.com

www.gaggenau.com/us/appliances/eshop

CA:

1-877-442-4436

www.gaggenau.com

www.gaggenau.ca

### 10.1 Model number (E-Nr.) and production number (FD)

You can find the model number (E-Nr.) and the production number (FD) on the appliance's rating plate.

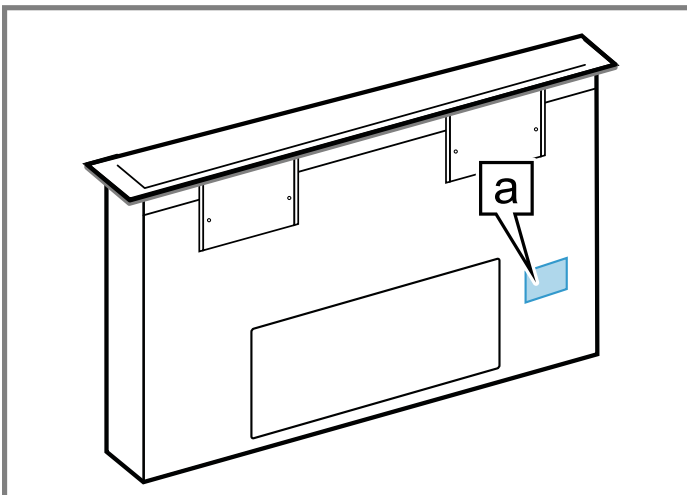
The rating plate is located at the bottom on the front of the appliance. To find it, open the door of the base cabinet in which the appliance is installed.

Making a note of your appliance's details and the Customer Service telephone number will enable you to find them again quickly.

### 10.2 Rating plate location

You can find the rating plate of your appliance:

- at the lower front side of the appliance. To access it, open the door of the cupboard in which the appliance is fitted.



**a** Rating plate

## 11 Disposal

### 11.1 Disposal of your old appliance

Environmentally compatible disposal allows valuable raw materials to be recycled.

- Unplug the appliance from the power supply.
- Cut through the power cord.
- Dispose of the appliance in an environmentally responsible manner.

Information about current disposal methods can be obtained from your specialist dealer or local authority.

## 12 STATEMENT OF LIMITED PRODUCT WARRANTY

### 12.1 What this warranty covers & Who it applies to

The limited warranty provided by BSH Home Appliances ("Gaggenau") in this Statement of Limited Product Warranty applies only to the Gaggenau appliance sold to you ("Product"), provided that the Product was purchased on or after January 1, 2025:

- For your normal, household (non-commercial) use, and has in fact at all times only been used for normal household purposes.
- New at retail from a BSH authorized dealer or directly from BSH (not a display, "as is", or previously returned model), and not for resale, or commercial use.
- Within the United States or Canada, and has at all times remained within the country of original purchase.

The warranties stated herein apply to the original purchaser of the product warranted herein and to each succeeding owner of the product purchased for ordinary home use during the term of the warranty.

Please make sure to register your Product; while not necessary to effectuate warranty coverage, it is the best way for Gaggenau to notify you in the unlikely event of a safety notice or product recall.

### 12.2 How long the warranty lasts

Gaggenau warrants that the Product is free from defects in materials and workmanship for a period of five (5) years from the date of the original delivery. The warranty shall only be extended for the time that elapsed between the date of your warranty claim and the date of the completed repair or replacement. This Product is also warranted to be free from **cosmetic** defects in material and workmanship (such as scratches of stainless steel, paint/porcelain blemishes, chips, dents, or other damage to the finish) of the Product, for a period of sixty (60) days from the date of delivery or closing date for new construction.

This **cosmetic** warranty excludes slight color variations due to inherent differences in painted and porcelain parts, as well as differences caused by kitchen lighting, product location, or other similar factors. This **cosmetic** warranty specifically excludes any display, floor, "As Is", or "B" stock appliances.

### 12.3 Repair/replace as your exclusive remedy

During this warranty period, Gaggenau or one of its authorized service providers will repair your Product without charge to you (subject to certain limitations stated herein) if your Product proves to have been manufactured with a defect in materials or workmanship. If reasonable attempts to repair the Product have been made without success, then Gaggenau will replace your Product (upgraded models may be available to you, in Gaggenau's sole discretion, for an additional charge). Nothing in this warranty requires damaged or defective parts to be replaced with parts of a different type or design than the original parts. All removed parts and components shall become the property of Gaggenau at its sole option. All replaced and/or repaired parts shall assume the identity of the original part for purposes of this warranty and this warranty shall not be extended with respect to such parts. Gaggenau's sole liability and responsibility hereunder is to repair manufacturer-defective Product only, using a Gaggenau authorized service provider during normal business hours. For safety and property damage concerns, Gaggenau highly recommends that you do not attempt to repair the Product yourself, or use a non-authorized service provider; Gaggenau will have no responsibility or liability for damage resulting from repairs or work performed by a non-authorized service provider. Authorized service providers are those persons or companies that have been specially trained on Gaggenau products, and who possess, in Gaggenau's opinion, a superior reputation for customer service and technical ability (note that they are independent entities and are not agents, partners, affiliates or representatives of Gaggenau). Nevertheless, taking your product to be serviced by a repair shop that is not affiliated with or an authorized dealer of Gaggenau will not void this warranty. Also, using third-party parts will not void this warranty. Notwithstanding the foregoing, Gaggenau will not incur any liability, or have responsibility, for the Product if it is located in a remote area (more than 100 miles from an authorized service provider) or is reasonably inaccessible, hazardous, threatening, or treacherous locale, surroundings, or environment; in any such event, if you request, Gaggenau would still pay for labor and parts and ship the parts to the nearest authorized service provider, but you would still be fully liable and responsible for any travel time or other special charges by the service company, assuming they agree to make the service call. Further, to the extent you have installed the Product in a difficult-to-access location or have otherwise installed temporary or permanent fixtures that create barriers to accessing or removing the Product, Gaggenau will not

incur any liability for, or have responsibility, for work or costs associated with moving the Product or otherwise creating access to the Product in order to repair or replace it. All such costs shall be your sole responsibility.

### 12.4 Out of warranty product

Gaggenau is under no obligation, at law or otherwise, to provide you with any concessions, including repairs, prorates, or Product replacement, once this warranty has expired.

### 12.5 Warranty exclusions

The warranty coverage described herein excludes all defects or damage that are not the direct fault of Gaggenau, including without limitation, one or more of the following:

- Use of the Product in anything other than its normal, customary and intended manner (including without limitation, any form of commercial use, use or storage of an indoor product outdoors, use of the Product in conjunction with air or water-going vessels).
- Any party's willful misconduct, negligence, misuse, abuse, accidents, neglect, improper operation, failure to maintain, improper or negligent installation, tampering, failure to follow operating instructions, mishandling, unauthorized service (including selfperformed "fixing" or exploration of the appliance's internal workings).
- Adjustment, alteration or modification of any kind.
- A failure to comply with any applicable state, local, city, or county electrical, plumbing and/or building codes, regulations, or laws, including failure to install the product in strict conformity with local fire and building codes and regulations.
- Ordinary wear and tear, spills of food, liquid, grease accumulations, or other substances that accumulate on, in, or around the Product.
- Any external, elemental and/or environmental forces and factors, including without limitation, rain, wind, sand, floods, fires, mud slides, freezing temperatures, excessive moisture or extended exposure to humidity, lightning, power surges, structural failures surrounding the appliance, and acts of God.
- Service calls to correct the installation of your Product, to instruct you how to use your Product, to replace house fuses or correct house wiring or plumbing.
- Removal and replacement of trim or decorative panels that interfere with servicing the Product.
- Damage or defects caused by labor or parts installed by any non-authorized service provider, unless approved by Gaggenau before service is performed.

In no event shall Gaggenau have any liability or responsibility whatsoever for damage to surrounding property, including cabinetry, floors, ceilings, and other structures or objects around the Product. Also excluded from this warranty are Products, on which the serial numbers have been altered, defaced, or removed; service visits to teach you how to use the Product, or visits where there is nothing wrong with the Product; correction of

installation problems (you are solely responsible for any structure and setting for the Product, including all electrical, plumbing or other connecting facilities, for proper foundation/flooring, and for any alterations including without limitation cabinetry, walls, floors, shelving, etc.); and resetting of breakers or fuses. TO THE EXTENT ALLOWED BY LAW, THIS WARRANTY SETS OUT YOUR EXCLUSIVE REMEDIES WITH RESPECT TO PRODUCT, WHETHER THE CLAIM ARISES IN CONTRACT OR TORT (INCLUDING STRICT LIABILITY, OR NEGLIGENCE) OR OTHERWISE. THIS WARRANTY IS IN LIEU OF ALL OTHER WARRANTIES, WHETHER EXPRESS OR IMPLIED. ANY WARRANTY IMPLIED BY LAW, WHETHER FOR MERCHANTABILITY OR FITNESS FOR A PARTICULAR PURPOSE, OR OTHERWISE, SHALL BE EFFECTIVE ONLY FOR THE PERIOD THAT THIS EXPRESS LIMITED WARRANTY IS EFFECTIVE. IN NO EVENT WILL THE MANUFACTURER BE LIABLE FOR CONSEQUENTIAL, SPECIAL, INCIDENTAL, INDIRECT, "BUSINESS LOSS", AND/OR PUNITIVE DAMAGES, LOSSES, OR EXPENSES, INCLUDING WITHOUT LIMITATION TIME AWAY FROM WORK, HOTELS AND/OR RESTAURANT MEALS, REMODELLING EXPENSES IN EXCESS OF DIRECT DAMAGES WHICH ARE DEFINITELY CAUSED EXCLUSIVELY BY GAGGENAU, OR OTHERWISE. SOME STATES DO NOT ALLOW THE EXCLUSION OR LIMITATION OF INCIDENTAL OR CONSEQUENTIAL DAMAGES, AND SOME STATES DO NOT ALLOW LIMITATIONS ON HOW LONG AN IMPLIED WARRANTY LASTS, SO THE ABOVE EXCLUSIONS OR LIMITATIONS MAY NOT APPLY TO YOU. THIS WARRANTY GIVES YOU SPECIFIC LEGAL RIGHTS, AND YOU MAY ALSO HAVE OTHER RIGHTS WHICH VARY FROM STATE TO STATE.

No attempt to alter, modify or amend this warranty shall be effective unless authorized in writing by an officer of BSH.

## 12.6 Obtaining warranty service

To obtain warranty service for your product, you should contact Gaggenau Customer Support at 1-877-442-4436 to schedule a repair.

## 12.7 Product information

For handy reference, copy the information below from the rating plate. Keep your invoice and/or delivery documents for warranty validation.

Model number (E-Nr.)
Production number (FD)
Date of delivery

## Table des matières

<b>1 IMPORTANTES CONSIGNES DE SÉCURITÉ .....</b>	<b>19</b>	8.12 Fermeture du couvercle du filtre .....	30
1.1 Définitions des termes de sécurité .....	19	8.13 Retrait du couvercle du filtre .....	30
1.2 Informations générales.....	19	8.14 Nettoyage du couvercle du filtre .....	30
1.3 Utilisation sécuritaire .....	19	8.15 Mise en place du couvercle du filtre .....	30
1.4 Sécurité des enfants .....	22	<b>9 Dépannage.....</b>	<b>31</b>
1.5 Installation et entretien appropriés .....	22	<b>10 Service à la clientèle .....</b>	<b>31</b>
1.6 Mises en garde conformément à la proposition 65 de l'État de Californie .....	23	10.1 Numéro de modèle (E-Nr.) et numéro de fabrication (FD) .....	32
<b>2 Prévenir les dommages matériels .....</b>	<b>24</b>	10.2 Emplacement de la plaque signalétique .....	32
<b>3 Protection de l'environnement et économies .....</b>	<b>24</b>	<b>11 Élimination.....</b>	<b>32</b>
3.1 Mise au rebut de l'emballage .....	24	11.1 Éliminer un appareil usagé .....	32
3.2 Économiser de l'énergie.....	24	<b>12 ÉNONCÉ DE LA GARANTIE LIMITÉE DU PRODUIT.....</b>	<b>32</b>
<b>4 Modes de fonctionnement .....</b>	<b>24</b>	12.1 Couverture de la garantie limitée.....	32
4.1 Mode d'extraction d'air .....	24	12.2 Durée de la garantie.....	33
4.2 Mode de recirculation de l'air.....	24	12.3 Réparation ou remplacement : votre recours exclusif .....	33
<b>5 Description de l'appareil .....</b>	<b>25</b>	12.4 Produit hors garantie .....	33
5.1 Électroménager.....	25	12.5 Exclusions de garantie .....	33
5.2 Commandes.....	25	12.6 Obtention du service de garantie.....	34
5.3 Arrêt de sécurité.....	25	12.7 Information sur le produit.....	34
<b>6 Avant la première utilisation .....</b>	<b>26</b>		
<b>7 Opération de base.....</b>	<b>26</b>		
7.1 Extension de l'appareil .....	26		
7.2 Rétractation de l'appareil.....	26		
7.3 Mise sous tension de l'appareil .....	26		
7.4 Mise hors tension de l'appareil .....	26		
7.5 Sélection du réglage de la ventilation .....	26		
7.6 Activation du mode intensif .....	26		
7.7 Désactivation du mode intensif .....	26		
7.8 Activation de la surventilation.....	27		
7.9 Désactivation de la surventilation .....	27		
7.10 Activation de la ventilation intermittente .....	27		
7.11 Désactivation de la ventilation intermittente .....	27		
7.12 Activation de l'éclairage.....	27		
7.13 Réglage de la luminosité .....	27		
7.14 Désactivation de l'éclairage.....	27		
7.15 Réinitialisation de l'indicateur de saturation.....	27		
<b>8 Nettoyage et entretien .....</b>	<b>27</b>		
8.1 Produits de nettoyage .....	27		
8.2 Nettoyer l'appareil .....	27		
8.3 Nettoyage des commandes.....	28		
8.4 Ouverture du couvercle du filtre .....	28		
8.5 Démonter le filtre à graisse .....	28		
8.6 Nettoyer les multifiltres à graisses manuellement....	29		
8.7 Nettoyage des filtres à graisse au lave-vaisselle .....	29		
8.8 Retrait des canaux de drainage de graisse .....	29		
8.9 Nettoyer les canaux de drainage de graisse .....	30		
8.10 Insertion des canaux de drainage de graisse .....	30		
8.11 Montage des filtres à graisse .....	30		



# IMPORTANTES CONSIGNES DE SÉCURITÉ

## LIRE ET CONSERVER CES INSTRUCTIONS

Lisez attentivement toutes les instructions avant d'utiliser l'appareil. Afin de réduire les risques d'incendie, d'électrocution et de blessures corporelles lorsque vous utilisez l'appareil, suivez les précautions de base, et notamment les consignes de sécurité suivantes.

### 1.1 Définitions des termes de sécurité

Vous trouverez ici des explications sur les mots de signalisation de sécurité utilisés dans ce manuel.

#### **AVERTISSEMENT**

Signale un risque de mort ou de blessure grave si l'avertissement n'est pas respecté.

#### **MISE EN GARDE**

Signale un risque de blessures mineures ou modérées si l'avertissement n'est pas respecté.

#### **AVIS :**

Ceci indique que la non-conformité à cet avis de sécurité peut entraîner des dégâts matériels ou endommager l'appareil.

**Remarque :** Ceci vous signale des informations importantes.

### 1.2 Informations générales

Vous trouverez ici des informations générales sur ce manuel.

- Veuillez lire attentivement ce manuel.
- Respectez les consignes de sécurité et les avertissements.
- Conservez le manuel et les informations sur le produit dans un endroit sûr pour référence future ou pour le prochain propriétaire.
- Vérifiez que l'appareil n'est pas endommagé après l'avoir déballé. Ne branchez pas l'appareil s'il a été endommagé pendant le transport.

Cet appareil est conçu pour être utilisé jusqu'à une hauteur maximale de 6,560 pieds (2000 mètres) au dessus du niveau de la mer.

### 1.3 Utilisation sécuritaire

#### **AVERTISSEMENT**

Lorsqu'il est correctement entretenu, votre nouvel appareil a été conçu pour être sûr et fiable.

- ▶ Lisez toutes les instructions attentivement avant l'utilisation. Ces consignes réduiront le risque de brûlure, d'électrocution, d'incendie et de blessure pour les personnes utilisant l'appareil.
- ▶ Lorsque vous utilisez des appareils électroménagers, il importe de suivre les précautions de sécurité de base, y compris celles indiquées dans les pages suivantes.

#### **MISE EN GARDE**

Uniquement aux fins de ventilation générale.

- ▶ Pour éviter tout risque d'incendie ou d'explosion, ne pas utiliser pour évacuer des matières et des vapeurs dangereuses ou explosives.

#### **AVERTISSEMENT**

**POUR RÉDUIRE LE RISQUE D'UN INCENDIE DE GRAISSE AU-DESSUS DE LA CUISINIÈRE**

- ▶ Ne laissez jamais la surface de cuisson sans surveillance à des températures élevées - Les débordements provoquent de la fumée et des débordements graisseux qui peuvent s'enflammer. Chauffez l'huile lentement à feu doux ou moyen.
- ▶ Faites toujours fonctionner la hotte lorsque vous cuisinez à feu vif.
- ▶ Nettoyez régulièrement les ventilateurs. Ne pas laisser la graisse s'accumuler sur le ventilateur ou sur le filtre.
- ▶ Utilisez une taille de casserole appropriée. Toujours utiliser des ustensiles de cuisson adaptés à la taille de l'élément de surface.
- ▶ Ne flambez jamais sous la hotte aspirante et ne travaillez jamais avec une flamme nue. Une hotte aspirante en marche aspire les flammes dans le filtre. Les dépôts de graisse sur les filtres risquent alors de s'enflammer!

Un incendie pourrait se produire pendant la cuisson.

- ▶ Toujours avoir un détecteur de fumée en état de marche près de la cuisine.
- ▶ Prière d'avoir à portée de main un extincteur d'incendie en bon état de marche, placé visiblement près de l'appareil électroménager et facile d'accès.

Si des vêtements ou des cheveux s'enflamment, rouler par terre immédiatement pour éteindre les flammes.



# IMPORTANTES CONSIGNES DE SÉCURITÉ

## LIRE ET CONSERVER CES INSTRUCTIONS

N'utilisez pas d'eau sur les feux de graisse.

- ▶ Étouffer le feu ou la flamme ou utiliser un extincteur à sec chimique ou à mousse.

Il existe un risque d'incendie si le nettoyage n'est pas effectué conformément aux instructions de la section relative au nettoyage et à l'entretien → *Page 27*. Les dépôts de graisse dans le filtre à graisse peuvent s'enflammer.

- ▶ Nettoyez le filtre à graisse au moins tous les deux mois ou plus souvent si nécessaire.
- ▶ N'utilisez jamais l'appareil sans le filtre à graisse. Les dépôts de graisse dans le filtre à graisse peuvent s'enflammer.
- ▶ Ne jamais travailler avec une flamme nue près de l'appareil électroménager (par ex., flambée des aliments).
- ▶ Installer la hotte près d'un appareil de chauffage de combustibles solides (par ex., bois ou charbon) uniquement en présence d'un couvercle de fermé, fixe. Il ne doit y avoir aucune étincelle.

Le fonctionnement de plusieurs brûleurs à gaz en même temps génère beaucoup de chaleur. L'appareil de ventilation peut être endommagé ou prendre feu.

- ▶ L'appareil de ventilation ne doit être combiné qu'avec des brûleurs à gaz ne dépassant pas la puissance totale maximale de 61 000 BTU/h (18 kW). Si 41 000 BTU/h (12 kW) sont dépassés, les réglementations locales concernant la ventilation de la pièce, la taille de la pièce et la combinaison avec des dispositifs de ventilation en mode d'extraction et de recirculation doivent être respectées.

L'huile et la graisse chaudes peuvent s'enflammer rapidement.

- ▶ Ne jamais laisser d'huile et de graisse chaudes sans surveillance.
- ▶ Ne jamais éteindre un feu avec de l'eau.
- ▶ Mettre la zone de cuisson à off (arrêt).
- ▶ Étouffer prudemment les flammes avec un couvercle, une couverture anti-feu ou un objet similaire.

### AVERTISSEMENT

Les pièces accessibles deviennent chaudes en cours d'utilisation.

- ▶ Ne jamais toucher aux pièces chaudes.
- ▶ Tenez les enfants éloignés.

S'assurer que l'appareil tout entier (y compris les filtres à graisse et les ampoules, le cas échéant) s'est refroidi et que la graisse s'est solidifiée avant de tenter de nettoyer une partie quelconque de l'appareil électroménager.

### AVERTISSEMENT

N'utilisez pas de hotte aspirante dont le cordon ou la fiche est endommagé.

- ▶ Contactez le fabricant ou un fournisseur de services agréé pour la réparation.
- Ne pas acheminer le cordon d'alimentation sous une moquette ou un tapis.
- ▶ Ne couvrez pas le cordon avec des tapis ou des revêtements similaires.
  - ▶ Ne pas acheminer le cordon d'alimentation sous les meubles ou les appareils électroménagers.
  - ▶ Le placer hors des zones de circulation et éviter que quelqu'un ne trébuche sur le cordon.

### AVERTISSEMENT

Des articles placés sur l'appareil électroménager risquent de tomber.

- ▶ Ne pas placer d'objets sur l'appareil électroménager. Stockage dans ou sur l'appareil - L'utilisation de produits chimiques corrosifs dans le chauffage ou le nettoyage endommagera l'appareil et pourrait entraîner des blessures.
- ▶ Les matériaux inflammables, les produits chimiques corrosifs, les vapeurs ou les produits non alimentaires ne doivent pas être stockés ou utilisés dans un four ou sur ou près des unités de surface.
- ▶ L'appareil est spécialement conçu pour être utilisé lors du chauffage ou de la cuisson des aliments.

Cet appareil électroménager est conçu uniquement pour un usage domestique habituel. Il n'est pas approuvé pour une utilisation en extérieur. Consultez l'énoncé de garantie limitée de produit. Pour toute question, veiller à communiquer avec le fabricant.

### AVERTISSEMENT

POUR RÉDUIRE LE RISQUE DE BLESSURES EN CAS D'INCENDIE DE GRAISSE DE CUISINIÈRE, RESPECTER LES INDICATIONS SUIVANTES.

- ▶ **FLAMMES PLUS DOUCES** avec un ajustement serré du couvercle, plaque à biscuits ou plateau métallique, puis éteignez le brûleur. FAIRE ATTENTION AUX BRÛLURES. Si les flammes ne s'éteignent pas immédiatement, ÉVACUEZ ET APPELEZ LE SERVICE D'INCENDIE.
- ▶ **NE JAMAIS SOULEVER UNE POÊLE EN FLAMMES** - Vous pourriez vous brûler.
- ▶ **NE PAS UTILISER D'EAU**, y compris des torchons ou des serviettes mouillés, cela provoquerait une violente explosion de vapeur.



# IMPORTANTES CONSIGNES DE SÉCURITÉ

## LIRE ET CONSERVER CES INSTRUCTIONS

- ▶ Utilisez un extincteur **UNIQUEMENT** si :
  - Vous savez que vous avez un extincteur de classe ABC, et vous savez déjà comment le faire fonctionner.
  - L'incendie est petit et contenu dans la zone où il a commencé.
  - Si vous avez appelé les pompiers.
  - Vous pouvez combattre l'incendie en gardant le dos tourné vers la sortie.

### AVERTISSEMENT

Des flammes peuvent être aspirées dans le système de ventilation.

- ▶ Dans la mesure du possible, ne mettez pas en marche le système de ventilation pendant un feu de table de cuisson. Toutefois, ne passez pas la main à travers le feu pour l'éteindre.

### AVERTISSEMENT

La lumière émise par les lumières à DEL est très éblouissante et peut endommager les yeux.

- ▶ Ne regardez pas directement dans les lumières à DEL allumées pendant plus de 100 secondes.

### AVERTISSEMENT

L'humidité qui pénètre peut occasionner une électrocution.

- ▶ N'utilisez pas de nettoyeur haute pression ou de nettoyer à vapeur pour nettoyer l'appareil.

### AVERTISSEMENT

POUR RÉDUIRE LE RISQUE D'INCENDIE, D'ÉLECTROCUTION OU DE BLESSURES, RESPECTER LES INDICATIONS SUIVANTES :

- ▶ Utilisez cet appareil uniquement de la façon recommandée par le fabricant. Pour toutes questions, veuillez contacter le fabricant.  
→ "Service à la clientèle", Page 31
- ▶ Avant d'entretenir ou de nettoyer l'appareil, coupez l'alimentation au niveau du panneau de service et verrouillez le panneau de service. Cela empêchera la mise sous tension accidentelle. Lorsque le panneau de service ne peut pas être verrouillé, fixer un accessoire d'avertissement visible et adéquat, comme une étiquette, au panneau de service.

### AVERTISSEMENT

Pour réduire le risque d'incendie ou d'électrocution, n'utilisez pas cet appareil avec un dispositif de contrôle de vitesse à semi-conducteurs.

Les processus de cuisson sans surveillance peuvent provoquer un incendie.

- ▶ Cet appareil n'est pas conçu pour fonctionner avec une horloge programmatrice externe ou une télécommande.

### AVERTISSEMENT

Pour éviter tout risque de blessure dû à un appareil ou à un cordon d'alimentation endommagé, observez ce qui suit.

- ▶ Ne jamais utiliser un appareil endommagé.
- ▶ Ne jamais tirer sur le cordon d'alimentation secteur pour débrancher l'appareil du secteur. Toujours débrancher la fiche mâle du cordon d'alimentation secteur.
- ▶ Si l'appareil ou le cordon d'alimentation secteur est endommagé, débrancher immédiatement la fiche mâle du cordon d'alimentation secteur ou couper le fusible dans le boîtier à fusibles.
- ▶ Appeler le service à la clientèle. → Page 31

### AVERTISSEMENT

Lors de la cuisson des aliments, de petites quantités de certains sous-produits, tels que des particules / de la suie, peuvent être libérés. Pour minimiser l'exposition à ces substances :

- ▶ Assurez-vous d'avoir toujours une ventilation adéquate en utilisant un ventilateur approprié ou une hotte avec une évacuation vers l'extérieur et/ou une fenêtre ouverte.
- ▶ Faites toujours fonctionner l'appareil en suivant les consignes de ce manuel.

### AVERTISSEMENT

Les matériaux surchauffés peuvent provoquer un incendie ou des brûlures et peuvent produire des émanations ou fumées potentiellement dangereuses.

- ▶ Pour éviter une surchauffe, allumez la hotte lorsque vous chauffez des graisses ou faites frire quelque chose en utilisant des paramètres de température moyen à haut.
- ▶ Évitez de chauffer des casseroles et des poêles vides.
- ▶ Ne laissez pas les casseroles bouillir à sec.
- ▶ Ne laissez pas du papier d'aluminium, du plastique, du papier ou du tissu entrer en contact avec un élément chaud, un brûleur ou une grille.

### AVERTISSEMENT

Pour éviter tout risque d'incendie, ne laissez pas la table de cuisson sans surveillance lorsqu'elle est utilisée. La cuisson sans surveillance peut entraîner des risques d'incendie, des dommages matériels et des blessures.



# IMPORTANTES CONSIGNES DE SÉCURITÉ

## LIRE ET CONSERVER CES INSTRUCTIONS

Surveillez toujours la cuisson, en particulier lorsque vous utilisez une chaleur élevée avec des huiles et des graisses. Les débordements peuvent provoquer de la fumée et des résidus de graisses qui peuvent s'enflammer.

### 1.4 Sécurité des enfants

Cet appareil n'est pas destiné à être utilisé par des personnes (y compris des enfants) présentant des capacités physiques, sensorielles ou mentales réduites, à moins qu'elles n'aient été informées de la manière d'utiliser l'appareil par une personne responsable de leur sécurité.

Lorsque les enfants sont assez âgés pour utiliser l'appareil, il incombe aux parents ou tuteurs légaux de veiller à ce qu'ils soient formés aux pratiques sécuritaires par des personnes qualifiées.

Les enfants doivent être surveillés afin de s'assurer qu'ils ne jouent pas avec l'appareil.

#### AVERTISSEMENT

Ne pas permettre aux enfants d'utiliser cet appareil électroménager à moins d'être étroitement surveillés par un adulte.

- ▶ Les enfants et les animaux domestiques ne doivent pas être laissés seuls ou sans surveillance à un endroit où un appareil électroménager est utilisé. Ils ne doivent jamais jouer à proximité, que l'appareil soit utilisé ou non.

Ne pas laisser quiconque monter, se tenir debout, se pencher, s'asseoir ou se suspendre sur une partie quelconque de l'appareil électroménager.

#### MISE EN GARDE

Ne rangez pas d'articles d'intérêt pour les enfants dans des armoires au-dessus d'un appareil ou sur la protection arrière d'un appareil. Les enfants qui essaient de monter sur un appareil électroménager pour atteindre ces articles pourraient être gravement blessés.

#### AVERTISSEMENT

L'unité de contrôle doit être installée dans un endroit où le cordon ne peut pas être facilement atteint par les enfants.

#### AVERTISSEMENT

Retirer tout le ruban adhésif et l'emballage avant d'utiliser l'électroménager.

- ▶ Jetez l'emballage après avoir déballé l'électroménager.
- ▶ Éliminez l'emballage d'une manière respectueuse de l'environnement.

- ▶ Ne laissez jamais les enfants jouer avec le matériel d'emballage.

### 1.5 Installation et entretien appropriés

#### AVERTISSEMENT

En cas de dysfonctionnement, il peut s'avérer nécessaire de couper l'alimentation.

- ▶ Demandez à l'installateur de vous montrer le disjoncteur ou le fusible. Identifiez sa position pour pouvoir le retrouver facilement.

Pour éviter les risques d'électrocution, avant de réparer l'appareil, coupez l'alimentation au niveau du panneau de service et verrouillez le panneau pour éviter que l'alimentation ne soit accidentellement activée.

Installation correcte - Une installation ou une mise à la terre incorrecte peut provoquer un choc électrique.

- ▶ L'appareil doit être correctement installé et mis à la terre par un technicien qualifié.
- ▶ Raccordez l'appareil uniquement à une prise de courant correctement mise à la terre.
- ▶ Reportez-vous aux instructions d'installation pour plus de détails.

Entretien par l'utilisateur - Ne réparez ni ne remplacez aucune pièce de l'appareil à moins que ce ne soit spécifiquement recommandé dans ce manuel.

- ▶ L'installation, les réparations ou l'entretien inadéquats pourraient causer des blessures ou des dégâts matériels.
- ▶ Consulter ce manuel pour les directives d'utilisation.
- ▶ Tous les autres services doivent être référés à un fournisseur de services agréé.

#### AVERTISSEMENT

Certaines surfaces cachées peuvent avoir des rebords tranchants.

- ▶ Redoubler de vigilance quand vous passez la main derrière ou sous l'appareil électroménager.

#### AVERTISSEMENT

Si le cordon d'alimentation est endommagé, il doit être remplacé par le fabricant, son fournisseur de services agréé ou des personnes qualifiées similaires afin d'éviter tout danger.



# IMPORTANTES CONSIGNES DE SÉCURITÉ

## LIRE ET CONSERVER CES INSTRUCTIONS

### AVERTISSEMENT

Les dysfonctionnements peuvent provoquer des blessures.

- ▶ Ne pas utiliser cet appareil électroménager s'il ne fonctionne pas correctement ou s'il a été endommagé. Contactez un prestataire de services agréé.

### AVERTISSEMENT

Quand la hotte fonctionne en même temps qu'un autre brûleur qui utilise aussi la même cheminée (comme le chauffage au gaz, à l'huile ou au charbon, le chauffe-eau intégré sous cuve ou pressurisé), veiller vous assurer d'avoir un apport d'air frais adéquat, dont a besoin le brûleur. Un fonctionnement sécuritaire est possible quand la pression dans la pièce où est installé le brûleur ne dépasse pas 4 Pa (0,04 mbar). Pour ce faire, le débit d'air comburant doit passer par des ouvertures non verrouillables, comme les portes, les fenêtres, et par la boîte murale de débit et d'évacuation d'air ou par d'autre moyens techniques, comme un système à enclenchement réciproque, etc.

### MISE EN GARDE

La graisse laissée sur les filtres peut refondre et s'infiltrer dans l'évent.

### AVERTISSEMENT

Éviter l'intoxication au monoxyde de carbone - Prévoir une admission d'air adéquate pour empêcher le retour des gaz de combustion dans la pièce. Une boîte murale de débit et d'évacuation d'air seule n'assure pas le respect des valeurs limites.

- ▶ Remarque : Au moment de revoir les exigences dans l'ensemble, il faut tenir compte du système d'apport d'air combiné pour toute la maison. Cette règle ne s'applique pas à l'utilisation d'appareils électroménagers de cuisson comme les tables de cuisson et les fours.

### AVERTISSEMENT

Afin de réduire les risques d'incendie, de choc électrique ou de blessures corporelles, n'utilisez pas de pièces de rechange non recommandées par le fabricant (par exemple des pièces fabriquées à la maison à l'aide d'une imprimante 3D).

### 1.6 Mises en garde conformément à la proposition 65 de l'État de Californie

Ce produit pourrait contenir un produit chimique reconnu par l'État de la Californie comme cancérigène ou ayant des effets nocifs sur la reproduction. Par conséquent, vous pourriez devoir apposer l'étiquette suivante sur l'emballage du produit comme requis par la Californie :

**AVERTISSEMENT ISSUE DE LA PROPOSITION 65 DE L'ÉTAT DE LA CALIFORNIE :**



**AVERTISSEMENT**

Cancer et dommages à la reproduction -  
[www.P65Warnings.ca.gov](http://www.P65Warnings.ca.gov)

## 2 Prévenir les dommages matériels

### AVIS :

Le condensat peut causer des dommages par corrosion.

- ▶ Pour éviter la formation de condensation, allumez l'appareil pendant la cuisson.

Si de l'humidité pénètre dans les commandes, cela peut entraîner des dommages.

- ▶ Ne jamais nettoyer les commandes avec un chiffon mouillé.

Un nettoyage incorrect endommage les surfaces.

- ▶ Suivez les instructions de nettoyage.
- ▶ N'utilisez pas de détergents agressifs ou abrasifs.
- ▶ Nettoyez les surfaces en acier inoxydable uniquement dans le sens de la finition.
- ▶ Ne nettoyez jamais les commandes avec des nettoyants pour acier inoxydable.

## 3 Protection de l'environnement et économies

### 3.1 Mise au rebut de l'emballage

Les matériaux d'emballage sont écologiques et recyclables.

- ▶ Veuillez éliminer les pièces détachées après les avoir triées par matières.

### 3.2 Économiser de l'énergie

Si vous respectez les instructions suivantes, votre appareil consommera moins de courant.

Adaptez la vitesse du ventilateur à l'intensité des vapeurs de cuisson.

- ✓ Une faible vitesse de ventilation est synonyme d'une faible consommation d'énergie.  
Utilisez uniquement la vitesse intensive en cas de besoin.

En cas de vapeurs intenses de cuisson, sélectionnez dès que possible une vitesse de ventilation plus importante.

- ✓ Les odeurs se répandent moins dans la pièce.

Éteignez l'éclairage si vous n'en avez plus besoin.

- ✓ Lorsque l'éclairage est éteint, il ne consomme aucune énergie.

Nettoyez ou remplacez les filtres aux intervalles spécifiés.

- ✓ L'efficacité du filtre est conservée.

Utilisez le couvercle de cuisson.

- ✓ Les vapeurs de cuisson et les condensats sont réduits.

N'utilisez les fonctions supplémentaires que si nécessaire.

- ✓ La désactivation des fonctions supplémentaires réduit la consommation d'énergie.

## 4 Modes de fonctionnement

Vous pouvez utiliser votre appareil en mode évacuation extérieure ou en mode recirculation de l'air.

### 4.1 Mode d'extraction d'air

L'air aspiré est purifié par les filtres à graisse, puis évacué vers l'extérieur via un système de conduits.



L'air ne doit pas être évacué dans un conduit utilisé pour les gaz d'échappement provenant d'appareils fonctionnant au gaz ou à d'autres combustibles (ne s'applique pas aux appareils à recirculation).

- Si l'air évacué doit être conduit vers un conduit de fumée ou de gaz d'échappement qui ne fonctionne pas, vous devez obtenir l'accord de l'inspecteur de zone chauffante responsable.
- Si l'air évacué est conduit à travers le mur extérieur, il convient d'utiliser un caisson mural télescopique.

### 4.2 Mode de recirculation de l'air

L'air aspiré est nettoyé par les filtres à graisse et un filtre anti-odeurs, puis renvoyé dans la pièce.



Pour lier les odeurs en mode recyclage d'air, vous devez installer un filtre anti-odeurs. Les différentes possibilités de fonctionnement de l'appareil en mode recyclage d'air se trouvent dans notre catalogue. D'autre part, vous pouvez demander au commerçant. Les accessoires nécessaires sont disponibles auprès des revendeurs spécialisés, du service à la clientèle ou de la boutique en ligne.

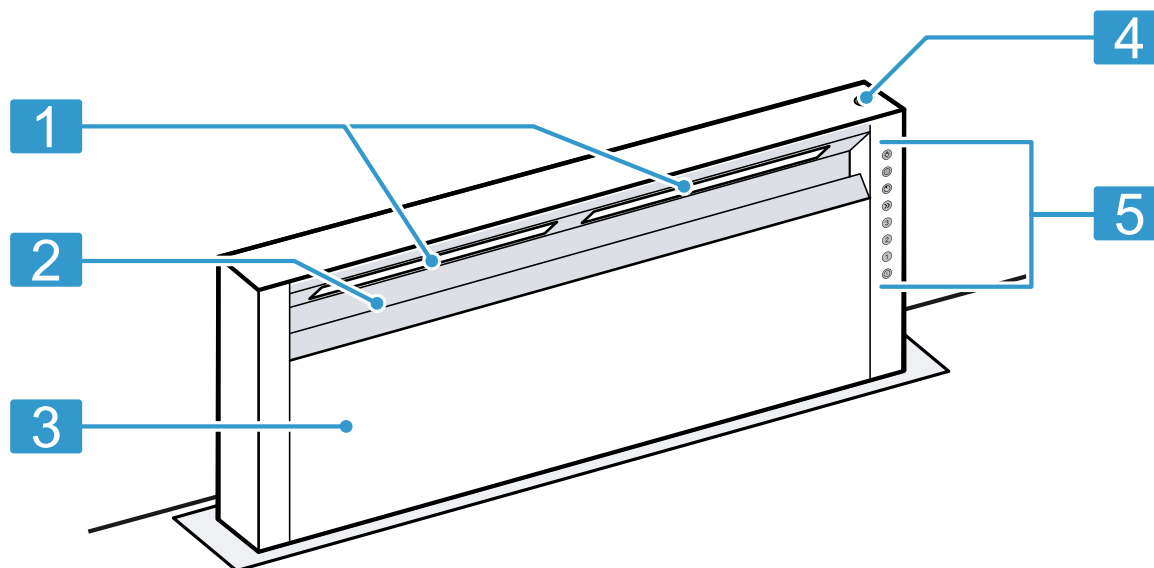
**Remarque :** Lors d'une cuisson intensive et prolongée, de l'humidité est libérée dans l'air de la pièce. Lors de l'utilisation de l'appareil en mode recyclage d'air, nous vous recommandons d'aérer la cuisine de manière adéquate, par ex. en ouvrant brièvement une fenêtre pour éliminer l'excès d'humidité.

## 5 Description de l'appareil

Ce manuel couvre plusieurs modèles. Votre modèle peut avoir certaines des caractéristiques répertoriées, mais pas toutes.

### 5.1 Électroménager

Cette section contient une vue d'ensemble des composants de votre appareil.



<b>1</b>	Lumières à DEL
<b>2</b>	Ouverture d'aération
<b>3</b>	Couvercle du filtre
<b>4</b>	Bouton de levage
<b>5</b>	Panneau de commande

### 5.2 Commandes

Le bandeau de commande vous permet de configurer toutes les fonctions de votre appareil et d'obtenir des informations sur son état de fonctionnement. Tous les boutons de sélection de fonctions s'allument lorsqu'ils sont activés. La lumière de « l'indicateur de saturation » clignote.

	Active et désactive l'éclairage
	Réinitialise l'indicateur de saturation du filtre
	Active et désactive la ventilation

	Active et désactive le mode intensif
<b>3</b>	Active et désactive le réglage <b>3</b> de la ventilation
<b>2</b>	Active et désactive le réglage <b>2</b> de la ventilation
<b>1</b>	Active et désactive le réglage <b>1</b> de la ventilation
	Met l'appareil en marche ou l'éteint

### 5.3 Arrêt de sécurité

Pour votre sécurité, l'appareil dispose d'une fonction d'arrêt de sécurité. L'appareil désactive l'éclairage après 12 heures et le système de ventilation après 4 heures si vous n'utilisez pas l'appareil pendant cette période.

## 6 Avant la première utilisation

Nettoyez l'appareil et l'accessoire.

## 7 Opération de base

### 7.1 Extension de l'appareil

#### ⚠ AVERTISSEMENT

Risque de se retrouver piégé lors de l'extension ou la rétractation de l'appareil.

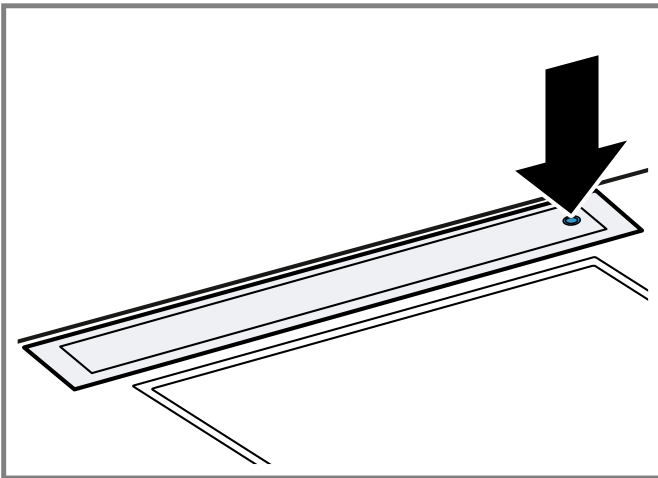
- ▶ Ne mettez jamais la main dans la zone de mouvement de l'appareil lors de son extension ou de sa rétractation.
- ▶ Gardez l'appareil hors de portée des enfants.

#### ⚠ AVERTISSEMENT

Les ustensiles de cuisson posés dans la zone de mouvement de l'appareil peuvent tomber. Des liquides chauds se versant peuvent causer des blessures.

- ▶ Ne posez aucun ustensile de cuisson dans la zone de mouvement de l'appareil.

1. Retirez tout objet de la zone de mouvement de l'appareil.
2. Appuyez sur le bouton sur le dessus de l'appareil.



- ✓ L'appareil se déploie entièrement.

### 7.2 Rétractation de l'appareil

#### ⚠ AVERTISSEMENT

Risque de se retrouver piégé lors de l'extension ou la rétractation de l'appareil.

- ▶ Ne mettez jamais la main dans la zone de mouvement de l'appareil lors de son extension ou de sa rétractation.
- ▶ Gardez l'appareil hors de portée des enfants.

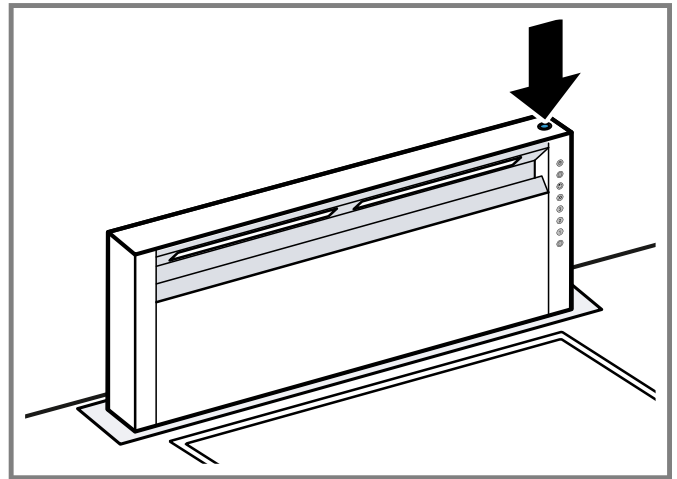
#### ⚠ AVERTISSEMENT

Les ustensiles de cuisson posés dans la zone de mouvement de l'appareil peuvent tomber. Des liquides chauds se versant peuvent causer des blessures.

- ▶ Ne posez aucun ustensile de cuisson dans la zone de mouvement de l'appareil.

**Exigence :** Le couvercle du filtre est complètement fermé.

1. Retirez tout objet de la zone de mouvement de l'appareil.
2. Appuyez sur le bouton sur le dessus de l'appareil.



- ✓ L'appareil se rétracte entièrement.
- ✓ L'appareil désactive l'éclairage et le système de ventilation.

### 7.3 Mise sous tension de l'appareil

**Exigence :** L'appareil est entièrement déployé.

- ▶ Appuyez sur ①.
- ✓ L'appareil démarre au niveau 2 de ventilation.

### 7.4 Mise hors tension de l'appareil

- ▶ Appuyez sur ①.

### 7.5 Sélection du réglage de la ventilation

- ▶ Appuyez sur 1, 2, 3 ou >> pour sélectionner le réglage de la ventilation.

### 7.6 Activation du mode intensif

Si des odeurs ou des vapeurs particulièrement fortes se développent, vous pouvez utiliser le mode intensif.

1. Appuyez sur ①.
- ✓ L'appareil démarre au niveau 2 de ventilation.
2. Appuyez sur >>.
- ✓ Le mode intensif est activé.
- ✓ Après environ 6 minutes, l'appareil revient au réglage de ventilation précédemment défini.

### 7.7 Désactivation du mode intensif

- ▶ Appuyez sur ①, 1, 2 ou 3.
- ✓ Le mode intensif s'est terminé prématurément.

## 7.8 Activation de la surventilation

La surventilation est disponible pour tous les réglage de ventilation.

1. Appuyez sur 1, 2, 3 ou >>.
  2. Appuyez sur ☺.
- ✓ La surventilation démarre au réglage de ventilation sélectionné.
  - ✓ L'appareil s'éteint après environ 10 minutes.
  - ✓ L'éclairage reste allumé lorsque la durée de surventilation est écoulée.

## 7.9 Désactivation de la surventilation

- ▶ Appuyez sur ☺.
- ✓ La surventilation se termine avant la durée restante de surventilation.

## 7.10 Activation de la ventilation intermittente

Avec la ventilation intermittente, l'appareil active et désactive la ventilation à intervalles réguliers.

1. Appuyez sur 1, 2 ou 3.
  2. Appuyez deux fois sur ☺.
- ✓ ☺ et le symbole du réglage de ventilation sélectionné clignotent en alternance.
  - ✓ La ventilation intermittente est activée.
  - ✓ L'appareil active le système de ventilation pendant 10 minutes toutes les heures dans tous les cas.

## 7.11 Désactivation de la ventilation intermittente

- ▶ Appuyez sur ☺.
- ✓ La ventilation intermittente est désactivée.

## 7.12 Activation de l'éclairage

L'éclairage peut être allumé et éteint en fonction de la ventilation.

- ▶ Appuyez sur ☼.

## 7.13 Réglage de la luminosité

- ▶ Maintenez la touche ☼ enfoncée jusqu'à ce que la luminosité souhaitée soit atteinte.

## 7.14 Désactivation de l'éclairage

- ▶ Appuyez sur ☼.

## 7.15 Réinitialisation de l'indicateur de saturation

Après 30 heures de fonctionnement, l'indicateur de saturation ⦿ pour les filtres à graisse clignote.

1. Nettoyez les filtres à graisse.
2. Appuyez sur ⦿.

# 8 Nettoyage et entretien

Pour que votre appareil reste longtemps opérationnel, nettoyez-le et entretenez-le avec soin.

## 8.1 Produits de nettoyage

Vous pouvez vous procurer des produits de nettoyage adaptés auprès du service après-vente ou du magasin en ligne.

### ⚠ AVERTISSEMENT

L'humidité qui pénètre peut occasionner une électrocution.

- ▶ Avant le nettoyage, retirez la fiche secteur ou coupez le fusible dans le tableau électrique.
- ▶ N'utilisez pas de nettoyeur haute pression ou de nettoyeur à vapeur pour nettoyer l'appareil.

### ⚠ AVERTISSEMENT

L'appareil est chaud pendant son fonctionnement.

- ▶ Laissez refroidir l'appareil avant de le nettoyer.

### AVIS :

Les produits de nettoyage inappropriés risquent d'endommager la surface de l'appareil.

- ▶ N'utilisez pas de produits de nettoyage agressifs ou récurants.
- ▶ N'utilisez pas de produits de nettoyage fortement alcoolisés,
- ▶ N'utilisez pas de tampon abrasif ni d'éponge en laine d'acier.
- ▶ N'utilisez des nettoyeurs pour vitres, des grattoirs ou des produits d'entretien en acier inoxydable que si cela est recommandé dans les instructions de nettoyage de la pièce concernée.
- ▶ Lavez bien les tissus éponges avant de les utiliser.

## 8.2 Nettoyer l'appareil

Nettoyez l'appareil comme spécifié. Cela garantira que les différentes pièces et surfaces de l'appareil ne sont pas endommagées par un nettoyage incorrect ou des produits de nettoyage inappropriés.

### ⚠ AVERTISSEMENT

Des agents de nettoyage fortement caustiques alcalins ou très acides associés aux pièces en aluminium à l'intérieur de l'appareil peuvent provoquer des explosions.

- ▶ N'utilisez jamais de produits de nettoyage alcalins ou hautement acides. En particulier, n'utilisez pas d'agents de nettoyage commerciaux ou industriels avec des pièces en aluminium, par ex. filtre à graisse sur les hottes aspirantes.

### ⚠ AVERTISSEMENT

L'humidité qui pénètre peut occasionner une électrocution.

- ▶ Avant le nettoyage, retirez la fiche secteur ou coupez le fusible dans le tableau électrique.
- ▶ N'utilisez pas de nettoyeur haute pression ou de nettoyeur à vapeur pour nettoyer l'appareil.

### **⚠ AVERTISSEMENT**

L'appareil est chaud pendant son fonctionnement.

- ▶ Laissez refroidir l'appareil avant de le nettoyer.

### **⚠ AVERTISSEMENT**

Les composants à l'intérieur de l'appareil électroménager peuvent avoir des rebords tranchants.

- ▶ Nettoyez soigneusement l'intérieur de l'appareil.

1. Respectez les informations relatives aux agents de nettoyage.

→ "Produits de nettoyage", Page 27

2. Nettoyez comme suit, selon la surface :

- Nettoyez les surfaces en acier inoxydable dans le sens de la finition à l'aide d'un chiffon éponge et de l'eau savonneuse chaude.
- Nettoyez les surfaces peintes à l'aide d'un chiffon éponge humide et de l'eau savonneuse chaude.
- Nettoyez l'aluminium à l'aide d'un chiffon doux et d'un nettoyant pour vitres.
- Nettoyez le plastique à l'aide d'un chiffon doux et d'un nettoyant pour vitres.
- Nettoyez le verre à l'aide d'un chiffon doux et d'un nettoyant pour vitres.

3. Séchez avec un chiffon doux.

4. Appliquez une fine couche de produit de nettoyage pour acier inoxydable sur les surfaces en acier inoxydable à l'aide d'un chiffon doux.

Vous pouvez vous procurer des produits de nettoyage en acier inoxydable auprès du service après-vente ou du magasin en ligne.

## **8.3 Nettoyage des commandes**

### **⚠ AVERTISSEMENT**

Une infiltration d'humidité peut provoquer une électrocution.

- ▶ N'utilisez pas de chiffon éponge mouillé.

1. Respectez les informations relatives aux agents de nettoyage.

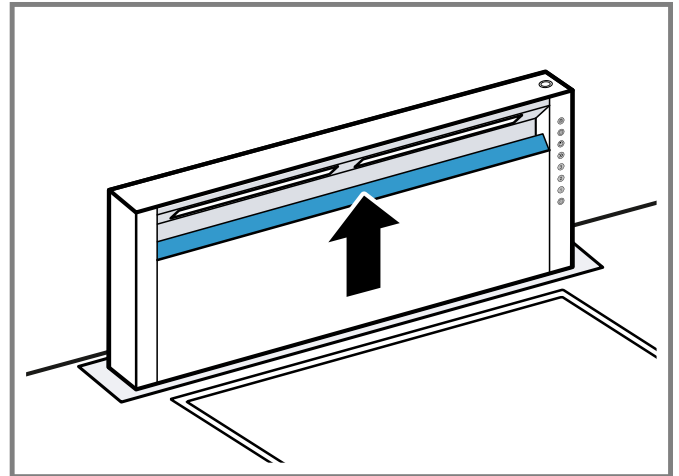
→ "Produits de nettoyage", Page 27

2. Nettoyez à l'aide d'un chiffon éponge humide et d'eau savonneuse chaude.

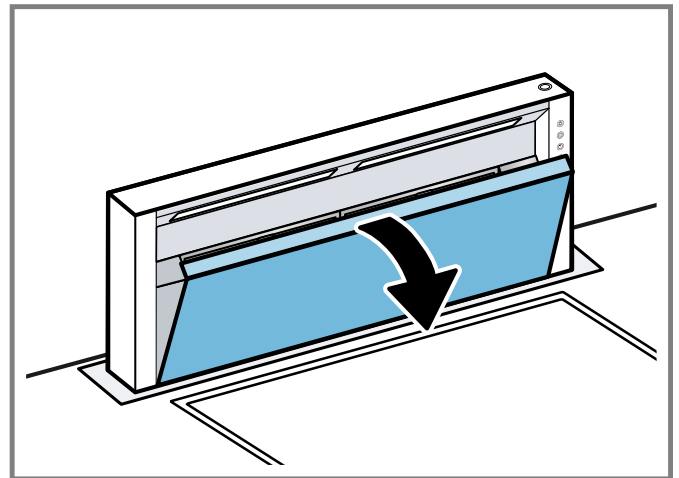
3. Séchez avec un chiffon doux.

## **8.4 Ouverture du couvercle du filtre**

1. Saisissez le milieu du couvercle du filtre et tirez-le vers le haut.

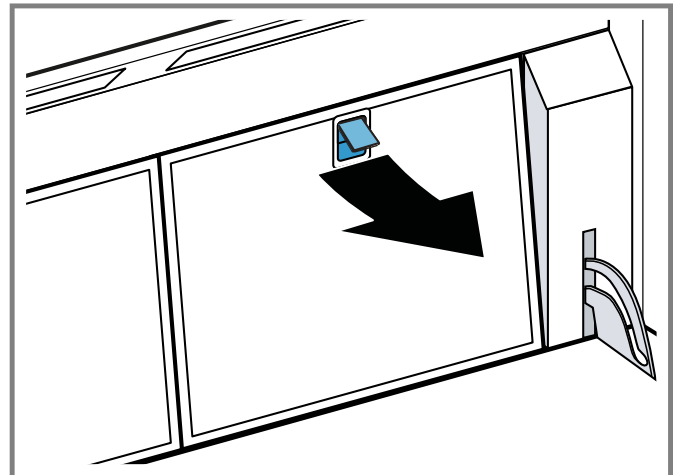


2. Rabattez le couvercle du filtre vers l'avant.

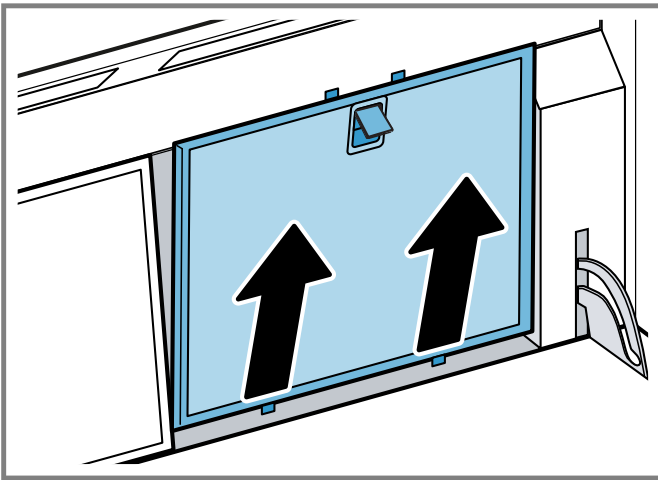


## **8.5 Démontez le filtre à graisse**

1. Ouvrez le mécanisme de verrouillage et rabattez le filtre à graisse vers l'avant.



- Retirez les filtres à graisse des supports.



Pour éviter que la graisse ne coule, tenez le filtre à graisse horizontalement.

- Nettoyez le support du filtre à graisse dans l'appareil à l'aide d'un chiffon humide.

## 8.6 Nettoyer les multifiltres à graisses manuellement

Les filtres à graisse filtrent la graisse issue de la vapeur de cuisson. Des filtres à graisse régulièrement nettoyés assurent un haut niveau d'absorption des graisses. Nous vous recommandons de nettoyer les filtres à graisse tous les 2 mois.

### ⚠ AVERTISSEMENT

Les dépôts de graisse dans les filtres à graisse peuvent s'enflammer.

- ▶ Nettoyez régulièrement les filtres à graisse.

**Exigence :** Les filtres à graisse sont retirés.

→ "Démonter le filtre à graisse", Page 28

- Respectez les informations relatives aux agents de nettoyage.  
→ "Produits de nettoyage", Page 27
- Faites tremper le filtre à graisse dans de l'eau chaude savonneuse.  
Utilisez un solvant dégraissant spécial pour les salissures tenaces. Vous pouvez acheter du dégraissant auprès du service à la clientèle ou de la boutique en ligne.
- Utilisez une brosse pour nettoyer les filtres à graisse.
- Rincez soigneusement les filtres à graisse.
- Laisser les filtres à graisse se vider.

## 8.7 Nettoyage des filtres à graisse au lave-vaisselle

Les filtres à graisse filtrent la graisse issue de la vapeur de cuisson. Des filtres à graisse régulièrement nettoyés assurent un haut niveau d'absorption des graisses. Nous vous recommandons de nettoyer les filtres à graisse tous les 2 mois.

### ⚠ AVERTISSEMENT

Les dépôts de graisse dans les filtres à graisse peuvent s'enflammer.

- ▶ Nettoyez régulièrement les filtres à graisse.

### AVIS :

Les filtres à graisse peuvent être endommagés s'ils se retrouvent coincés dans le lave-vaisselle.

- ▶ Ne coinciez pas les filtres à graisse.

**Remarque :** Lors du nettoyage du filtre à graisse dans le lave-vaisselle, une légère décoloration peut se produire. Cette décoloration n'a aucun effet sur les performances des filtres à graisse métalliques.

**Exigence :** Les filtres à graisse sont retirés.

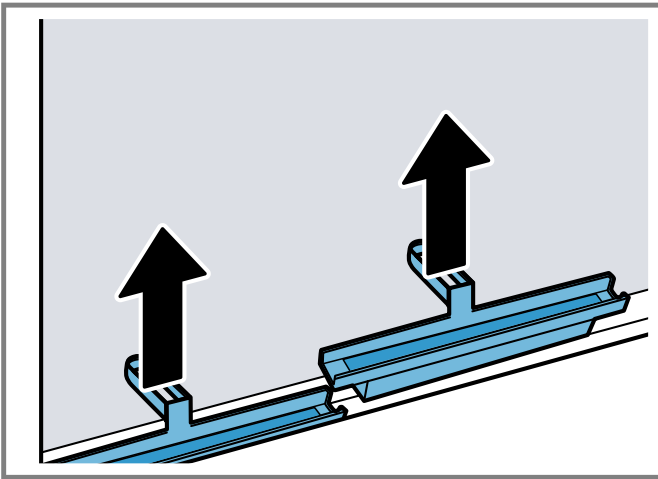
→ "Démonter le filtre à graisse", Page 28

- Respectez les informations relatives aux agents de nettoyage.  
→ "Produits de nettoyage", Page 27
- Placez les filtres à graisse sans serrer dans le lave-vaisselle.  
Ne nettoyez pas les filtres à graisse très sales avec des ustensiles.  
Utilisez un solvant dégraissant spécial pour les salissures tenaces. Vous pouvez acheter du dégraissant auprès du service à la clientèle ou de la boutique en ligne.
- Démarrez le lave-vaisselle.  
Sélectionnez une température ne dépassant pas 160 °F (70 °C).
- Laisser les filtres à graisse se vider.

## 8.8 Retrait des canaux de drainage de graisse

**Remarque :** Pour faciliter le nettoyage, vous pouvez retirer les canaux de drainage de graisse.

- ▶ Retirez les canaux de drainage de graisse.



### 8.9 Nettoyer les canaux de drainage de graisse

- ▶ Nettoyez les canaux de drainage de graisse au lave-vaisselle ou à la main dans de l'eau chaude savonneuse.

### 8.10 Insertion des canaux de drainage de graisse

- ▶ Insérez les canaux de drainage de graisse.

### 8.11 Montage des filtres à graisse

1. Insérez les filtres à graisse.
2. Rabattez le filtre à graisse vers l'arrière et enclenchez le mécanisme de verrouillage.

### 8.12 Fermeture du couvercle du filtre

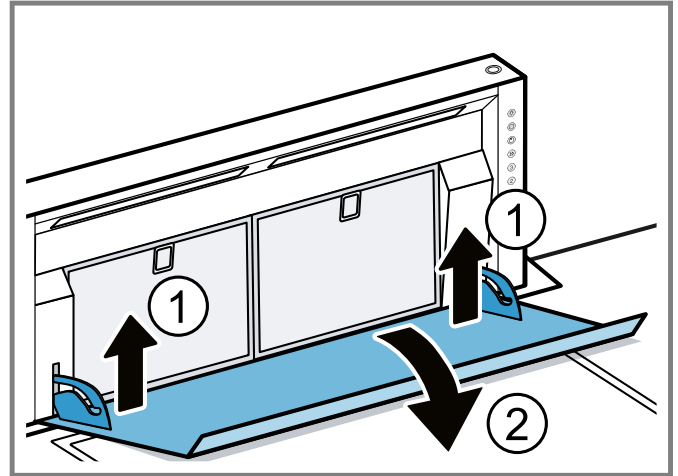
1. Saisissez le milieu du couvercle du filtre et rabattez-le.  
✓ Le couvercle du filtre s'insère.
2. Réinitialisez l'indicateur de saturation. → Page 27

### 8.13 Retrait du couvercle du filtre

**Remarque :** Pour un nettoyage plus efficace, vous pouvez retirer le couvercle du filtre.

1. Ouvrez le couvercle du filtre.
2. Saisissez les côtés du couvercle du filtre à deux mains.

3. Soulevez totalement la section arrière et tirez le couvercle du filtre vers l'avant.



4. Le couvercle du filtre peut être tiré en utilisant les boulons du support.

### 8.14 Nettoyage du couvercle du filtre

- ▶ Nettoyez le couvercle du filtre à la main avec de l'eau chaude savonneuse.

### 8.15 Mise en place du couvercle du filtre

1. Saisissez les côtés du couvercle du filtre à deux mains.
2. Glissez le couvercle du filtre dans les boulons du support.
3. Levez la partie avant du couvercle du filtre jusqu'à ce qu'il soit enclenché.

## 9 Dépannage

Vous pouvez éliminer vous-même les défauts mineurs de votre appareil. Veuillez lire les informations de dépannage avant de contacter le service à la clientèle. Cela peut éviter des frais de visite inutiles.

### AVERTISSEMENT

Pour éviter tout risque de blessure dû à des réparations incorrectes, respectez les points suivants.

- ▶ Seuls des techniciens qualifiés ou des prestataires de services agréés peuvent effectuer des réparations.

- ▶ Si le cordon d'alimentation secteur ou le cordon d'alimentation de l'appareil est endommagé, ils doivent être remplacés par des cordons spécifiques disponibles auprès du fabricant ou de son service après-vente.
- ▶ En cas d'endommagement du cordon d'alimentation, celui-ci doit être remplacé par un technicien qualifié.
- ▶ Seules des pièces de rechange d'origine peuvent être utilisées pour réparer l'appareil.
- ▶ Si l'appareil a un problème, appelez le service client.

Défaut	Cause et dépannage
L'appareil ne fonctionne pas.	La fiche secteur du cordon d'alimentation secteur n'est pas branchée. <ul style="list-style-type: none"> <li>▶ Branchez l'appareil au réseau électrique.</li> </ul>
	Le fusible dans le coffret à fusibles s'est déclenché. <ul style="list-style-type: none"> <li>▶ Vérifiez le fusible dans le boîtier à fusibles.</li> </ul>
	Aucune alimentation électrique. <ul style="list-style-type: none"> <li>▶ Vérifiez si les lumières et les autres appareils dans la pièce fonctionnent.</li> </ul>
	L'appareil n'est pas connecté à l'unité de contrôle. <ul style="list-style-type: none"> <li>▶ Connectez l'unité de contrôle à l'appareil.</li> </ul>
L'appareil ne fonctionne pas ; toutes les touches clignotent.	La fiche pour le câble réseau n'est pas branchée. <ul style="list-style-type: none"> <li>▶ Vérifiez la connexion des câbles réseau de tous les appareils.</li> </ul>
	Le fusible dans le coffret à fusibles s'est déclenché. <ul style="list-style-type: none"> <li>▶ Vérifiez le fusible dans le boîtier à fusibles.</li> </ul>
	Un composant de l'appareil est défaillant. <ul style="list-style-type: none"> <li>▶ Appelez le service à la clientèle → <i>Page 31</i>.</li> </ul>
L'appareil ne se rétracte pas.	Le couvercle du filtre n'est pas fermé. <ul style="list-style-type: none"> <li>▶ Fermez le couvercle du filtre complètement. → <i>"Fermeture du couvercle du filtre", Page 30</i></li> </ul>
L'éclairage de la touche ne fonctionne pas.	L'unité de contrôle est défectueuse. <ul style="list-style-type: none"> <li>▶ Appelez le service à la clientèle → <i>Page 31</i>.</li> </ul>
L'éclairage à DEL ne fonctionne pas.	Ce problème peut avoir de nombreuses causes. <ul style="list-style-type: none"> <li>▶ Les ampoules à DEL défectueuses peuvent être remplacées uniquement par le fabricant, son service client ou un technicien qualifié (électricien).</li> <li>▶ Appelez le service à la clientèle → <i>Page 31</i>.</li> </ul>
L'indicateur de saturation clignote.	Les filtres à graisse sont saturés. <ul style="list-style-type: none"> <li>▶ → <i>"Nettoyage des filtres à graisse au lave-vaisselle", Page 29</i></li> <li>▶ Nettoyez les filtres à graisse à la main. → <i>Page 29</i></li> </ul>
Il y a des bruits lorsque l'appareil se rétracte ou s'étend.	Ces bruits sont inhérents à la conception et n'ont aucun effet sur le fonctionnement de l'appareil. <ul style="list-style-type: none"> <li>▶ C'est normal.</li> </ul> Aucune action nécessaire.

## 10 Service à la clientèle

Lors de toute réparation réalisée dans le cadre de la garantie, nous nous assurons que votre appareil est réparé avec des pièces de rechange d'origine par un

technicien dûment formé et agréé. Nous utilisons exclusivement des pièces de rechange d'origine lors des réparations.

Vous pouvez obtenir auprès de notre service après-vente des pièces détachées d'origine relatives au fonctionnement de l'appareil et pouvant être stockées jusqu'à 15 ans après la commercialisation de votre appareil.

Veuillez contacter notre service clientèle pour obtenir d'autres informations à ce sujet.

Pour plus d'informations sur la durée et les conditions de la garantie dans votre pays, consultez nos modalités de garantie auprès de votre détaillant ou sur notre site Web. La source de lumière est disponible en tant que pièce de rechange et doit être remplacée uniquement par du personnel qualifié.

USA:

1-877-442-4436

[www.gaggenau.com](http://www.gaggenau.com)

[www.gaggenau.com/us/appliances/eshop](http://www.gaggenau.com/us/appliances/eshop)

CA:

1-877-442-4436

[www.gaggenau.com](http://www.gaggenau.com)

[www.gaggenau.ca](http://www.gaggenau.ca)

#### Résidents du Québec :

Vous trouverez des renseignements sur la disponibilité des pièces de rechange, des services de réparation et des renseignements nécessaires à l'entretien ou à la réparation de l'appareil à l'adresse suivante :

[www.gaggenau.com/ca/fr/service/residents-du-qc](http://www.gaggenau.com/ca/fr/service/residents-du-qc)



**GAGGENAU**

### 10.1 Numéro de modèle (E-Nr.) et numéro de fabrication (FD)

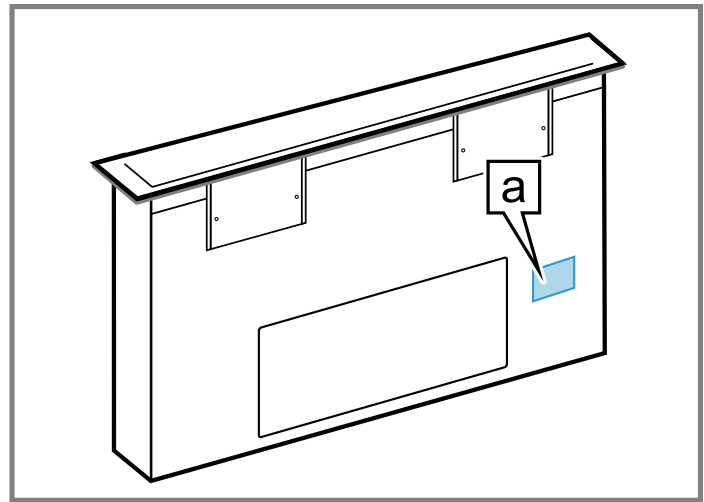
Le numéro de modèle (E-Nr.) et le numéro de fabrication (FD) sont indiqués sur la plaque signalétique de l'appareil. La plaque signalétique se trouve en bas sur la face avant de l'appareil. Pour ce faire, ouvrez la porte de l'élément bas dans lequel l'appareil est installé.

Pour retrouver rapidement les données de votre appareil et le numéro de téléphone du service à la clientèle, n'hésitez pas à les recopier ailleurs.

### 10.2 Emplacement de la plaque signalétique

Vous trouverez la plaque signalétique de votre appareil :

- en bas à l'avant de l'appareil. Pour y accéder, ouvrez la porte du placard dans lequel l'appareil est installé.



**a** Plaque signalétique

## 11 Élimination

### 11.1 Éliminer un appareil usagé

L'élimination dans le respect de l'environnement permet de récupérer de précieuses matières premières.

1. Débranchez la fiche du secteur.
2. Coupez le câble de raccordement secteur.
3. Éliminez l'appareil dans le respect de l'environnement.

Pour connaître les circuits d'élimination actuels, veuillez vous adresser à votre revendeur ou à votre administration municipale.

## 12 ÉNONCÉ DE LA GARANTIE LIMITÉE DU PRODUIT

### 12.1 Couverture de la garantie limitée

La garantie limitée fournie par BSH Home Appliances (« Gaggenau ») dans cet énoncé de garantie limitée s'applique seulement à l'appareil Gaggenau qui vous a été vendu (« Produit »), pour autant que le produit ait été acheté le ou après le 1er janvier 2025 :

- Pour une utilisation normale résidentielle (non commerciale), et qu'il a été utilisé en tout temps pour un usage domestique normal.
- Neuf au détail auprès d'un revendeur agréé BSH ou directement auprès de BSH (pas un présentoir, « tel quel », ou un modèle précédemment retourné), et non destiné à la revente ou à un usage commercial.
- Aux États-Unis ou au Canada et qu'il est demeuré en tout temps dans son pays d'achat.

Les garanties aux présentes s'appliquent à l'acheteur original du produit sous garantie et à tout propriétaire successif du produit acheté pour une utilisation résidentielle habituelle et la durée de la garantie.

Assurez-vous d'enregistrer votre produit ; Bien qu'il ne soit pas nécessaire pour appliquer la garantie, c'est le meilleur moyen pour Gaggenau de vous informer dans le cas peu probable d'un avis de sécurité ou d'un rappel de produit.

## 12.2 Durée de la garantie

Gaggenau garantit que le produit est exempt de défaut de matériau et de fabrication pour une période de cinq (5) ans à compter de la date de livraison initiale. La garantie ne sera prolongée que pendant l'intervalle entre la date d'ouverture de votre réclamation sous garantie et la date d'achèvement de la réparation ou du remplacement du Produit. Ce Produit est également garanti exempt de défauts **cosmétiques** de matériaux et de fabrication (tels que des rayures sur l'acier inoxydable, des taches de peinture/porcelaine, des éclats, des bosses ou d'autres dommages à la finition) du Produit, pendant une période de soixante (60) jours à compter de la date de livraison ou de la date de clôture pour une nouvelle construction. Cette garantie **cosmétique** exclut les variations légères de couleur causées par les différences inhérentes entre les sections peintes et les sections en porcelaine, de même que les différences causées par l'éclairage de la cuisine, l'emplacement du produit et autres facteurs similaires. La présente garantie **cosmétique** exclut spécifiquement tous les appareils de démonstration, de plancher, « tel quel » et remis à neuf.

## 12.3 Réparation ou remplacement : votre recours exclusif

Pendant cette période de garantie, Gaggenau ou l'un de ses centres de réparations autorisés réparera gratuitement votre Produit (sous réserve de certaines restrictions aux présentes) si celui-ci présente des défauts de matériels ou de fabrication. Si des tentatives raisonnables pour réparer le produit sont vaines, alors Gaggenau remplacera le produit (un modèle supérieur peut être offert, à la seule discrétion de Gaggenau, moyennant des frais supplémentaires). Rien dans cette garantie n'exige que les pièces endommagées ou défectueuses soient remplacées par des pièces d'un type ou d'une conception différents des pièces d'origine. Toutes les pièces ou les composants enlevés demeurent la seule propriété de Gaggenau. Toute pièce remplacée ou réparée doit être identique à la pièce d'origine aux fins de la présente garantie et la garantie ne sera pas prolongée en regard de telles pièces. La seule responsabilité de Gaggenau est de faire réparer le produit défectueux uniquement par un centre de réparation autorisé par Gaggenau pendant les heures de travail normales. Pour des raisons de sécurité et de dommages matériels, Gaggenau vous recommande fortement de ne pas essayer de réparer le produit vous-même ou de faire appel à un prestataire de services non agréé ; Gaggenau décline toute responsabilité en cas de dommages résultant de réparations ou de travaux effectués par un prestataire de services non agréé. Les centres de réparation autorisés sont les personnes ou les entreprises

qui ont été spécialement formées sur les produits Gaggenau et qui possèdent, selon l'opinion de Gaggenau, une réputation supérieure pour le service après-vente et la capacité technique (il est à noter qu'elles sont des entités indépendantes et non des agents, partenaires, affiliés ou représentants de Gaggenau). Néanmoins, le fait de confier l'entretien de votre produit à un atelier de réparation non affilié ou à un revendeur agréé Gaggenau n'annulera pas cette garantie. De plus, l'utilisation de pièces tierces n'annulera pas cette garantie. Nonobstant ce qui suit, Gaggenau ne sera pas tenue responsable d'aucune façon si le produit est situé dans une région éloignée (supérieure à 100 miles d'un centre de réparation autorisé) ou n'est pas accessible de façon raisonnable, dans un environnement ou un local dangereux, menaçant ou périlleux; dans une telle éventualité, à la demande du consommateur, Gaggenau pourrait encore payer les frais de main-d'œuvre et de pièces et expédier les pièces au centre de réparation autorisé le plus près, mais le consommateur serait entièrement responsable pour tous les frais de déplacement et autres frais spéciaux encourus par le centre de réparation, en autant qu'il accepte la demande de réparation. De plus, dans la mesure où vous avez installé le Produit dans un endroit difficile d'accès ou si vous avez autrement installé des installations temporaires ou permanentes qui créent des obstacles à l'accès ou au retrait du Produit, Gaggenau n'encourra aucune responsabilité pour, ou n'aura aucune responsabilité, pour le travail ou les coûts associés au déplacement du Produit ou à la création d'un accès au Produit afin de le réparer ou de le remplacer. Tous ces frais seront à votre charge exclusive.

## 12.4 Produit hors garantie

Gaggenau n'a aucune obligation, aux termes de la loi ou autrement, d'offrir toute concession, incluant réparation, prorata ou remplacement de produit une fois la garantie expirée.

## 12.5 Exclusions de garantie

La couverture de garantie décrite dans les présentes exclut tous les défauts ou dommages pour lesquels Gaggenau serait directement imputable, y compris, sans s'y limiter, l'un ou plusieurs des cas suivants :

- Utilisation du produit autre qu'un usage normal, habituel et de la façon destinée (incluant, sans s'y limiter, toute forme d'utilisation commerciale, d'utilisation ou de rangement d'un produit pour l'intérieur à l'extérieur, d'utilisation du produit de concert avec un transporteur aérien ou marin).
- Mauvaise conduite de toute partie, négligence, mauvaise utilisation, abus, accidents, fonctionnement inadéquat, mauvais entretien, installation inadéquate ou négligente, altération, manquement d'observer les instructions de fonctionnement, mauvaise manipulation, service non autorisé (incluant réparation par le consommateur ou exploration du fonctionnement interne du produit).

- Réglage, modification ou altération de tout type.
- Non conformité aux normes fédérales, provinciales, municipales ou électriques en vigueur au pays, aux codes de plomberie ou du bâtiment, aux réglementations ou aux lois, incluant le non respect d'installer le produit en stricte conformité avec les codes et les réglementations du bâtiment et d'incendie locaux.
- Bris et usure normaux, déversements d'aliments ou de liquides, accumulations de graisse ou d'autres substances dans, sur ou autour du Produit.
- Toute force ou tout facteur externe, élémentaire et / ou environnemental, incluant sans limitation, la pluie, le vent, le sable, les inondations, les incendies, les coulées de boue, le gel, l'humidité excessive ou l'exposition prolongée à l'humidité, la foudre, les surtensions, les problèmes de structure autour de l'appareil et les désastres naturels.
- Demandes de service visant à corriger l'installation de votre Produit, à obtenir des conseils à propos de son utilisation, à remplacer les fusibles de votre maison ou à réparer l'installation électrique ou la plomberie de votre foyer.
- Retrait et remplacement de la garniture ou des panneaux de décoration qui entravent l'entretien du produit.
- Dommages ou défauts résultant de la main-d'œuvre ou de pièces installées par un centre de réparation non autorisé, à moins d'être approuvé par Gaggenau avant de procéder à sa réparation.

En aucun cas, Gaggenau ne sera tenue responsable de dommages survenus à la propriété environnantes, incluant les armoires, les planchers, les plafonds et les autres objets ou structures situés autour du produit. Également exclus de la garantie sont les Produits dont les numéros de série ont été modifiés, effacés ou enlevés; les demandes de réparations pour enseigner le fonctionnement du Produit ou les visites où il n'y a aucun problème avec le produit; la correction de problèmes d'installation (le consommateur est seul responsable pour toute structure et tout réglage du Produit, incluant l'électricité, la plomberie et les autres raccordements nécessaires, pour une fondation / plancher approprié[e], et pour toute modification incluant, sans limitation, armoires, murs, planchers, tablettes, etc.) et le réenclenchement de disjoncteurs ou le remplacement de fusibles.

DANS LA MESURE AUTORISÉE PAR LOI, LA PRÉSENTE GARANTIE PRÉCISE LES RECOURS EXCLUSIFS DONT VOUS DISPOSEZ À L'ÉGARD DU PRODUIT, QUE LA DEMANDE SOIT FONDÉE SUR UN CONTRAT OU DÉLIT (Y COMPRIS RESPONSABILITÉ ABSOLUE OU NÉGLIGENCE) OU AUTRE. LA PRÉSENTE GARANTIE REMPLACE TOUTES LES AUTRES GARANTIES, EXPRESSES OU IMPLICITES. TOUTES GARANTIES IMPLICITES AUX TERMES DE LA LOI, QUE SE SOIT LES GARANTIES DE QUALITÉ MARCHANDE OU D'APTITUDE À UN USAGE PARTICULIER, OU AUTRES, SONT LIMITÉES DANS LE TEMPS À LA DURÉE DE CETTE GARANTIE LIMITÉE EXPRESSE. LE FABRICANT NE SERA EN AUCUN CAS

RESPONSABLE DE DOMMAGES CONSÉCUTIFS, SPÉCIAUX, ACCESSOIRES, INDIRECTS OU DE « PERTES COMMERCIALES » ET / OU DE DOMMAGES PUNITIFS, DE PERTES OU DE DÉPENSES, Y COMPRIS SANS S'Y LIMITER, ABSENCE DU TRAVAIL, FRAIS D'HÔTEL ET / OU FRAIS DE RESTAURANT, FRAIS DE REMANIEMENT EN EXCÉDENT DES DOMMAGES DIRECTS QUI SONT DÉFINITIVEMENT CAUSÉS EXCLUSIVEMENT PAR GAGGENAU, OU AUTREMENT. CERTAINS ÉTATS N'AUTORISENT PAS L'EXCLUSION OU LA LIMITATION DE DOMMAGES ACCESSOIRES OU CONSÉCUTIFS, ET CERTAINS ÉTATS N'AUTORISENT PAS LA LIMITATION DE LA DURÉE DES GARANTIES IMPLICITES. PAR CONSÉQUENT, LES EXCLUSIONS OU LES LIMITES SUSMENTIONNÉES POURRAIENT NE PAS VOUS CONCERNER. LA PRÉSENTE GARANTIE VOUS DONNE DES DROITS PRÉCIS RECONNUS PAR LA LOI ET VOUS POUVEZ ÉGALEMENT AVOIR D'AUTRES DROITS QUI VARIENT D'UN ÉTAT À L'AUTRE. Aucune tentative de modifier, changer ou amender la présente garantie ne peut être valide sans le consentement écrit autorisé par un dirigeant de BSH.

## 12.6 Obtention du service de garantie

Pour obtenir le service de garantie de votre produit, vous devez contacter le service client de Gaggenau au 1-877-442-4436 pour planifier une réparation.

## 12.7 Information sur le produit

Pour référence pratique, copiez l'information ci-après de la plaque signalétique. Conservez votre facture et/ou vos documents de livraison pour la validation de la garantie.

---

Numéro de modèle  
(E-Nr.)

---

Numéro de  
fabrication (FD)

---

Date de livraison

---

## Tabla de contenidos

### 1 INSTRUCCIONES DE SEGURIDAD

<b>IMPORTANTES.....</b>	<b>36</b>
1.1 Definiciones de seguridad.....	36
1.2 Información general.....	36
1.3 Uso seguro.....	36
1.4 Seguridad infantil.....	38
1.5 Instalación y mantenimiento correctos.....	39
1.6 Advertencias en virtud de la Proposición 65 del estado de California.....	40

### 2 Prevención de daños materiales..... 41

### 3 Protección del medio ambiente y ahorro..... 41

3.1 Consejos para la eliminación del embalaje.....	41
3.2 Ahorrar energía.....	41

### 4 Modos de funcionamiento..... 41

4.1 Modo evacuación exterior de aire.....	41
4.2 Modo de recirculación de aire.....	41

### 5 Familiarizándose con el aparato..... 42

5.1 Aparato.....	42
5.2 Elementos de control.....	42
5.3 Desconexión de seguridad.....	42

### 6 Antes del primer uso..... 43

### 7 Manejo básico..... 43

7.1 Extender el aparato.....	43
7.2 Retraer el aparato.....	43
7.3 Encender el aparato.....	43
7.4 Apagar el aparato.....	43
7.5 Seleccionar la potencia de extracción.....	43
7.6 Activar el nivel intensivo.....	43
7.7 Desactivar el nivel intensivo.....	44
7.8 Activar funcionamiento continuo del ventilador.....	44
7.9 Desactivar funcionamiento continuo del ventilador..	44
7.10 Activar la ventilación a intervalos.....	44
7.11 Desactivar la ventilación a intervalos.....	44
7.12 Encender la iluminación.....	44
7.13 Ajustar el brillo.....	44
7.14 Apagar la iluminación.....	44
7.15 Restablecer el indicador de saturación.....	44

### 8 Limpieza y cuidados..... 44

8.1 Productos de limpieza.....	44
8.2 Limpiar el aparato.....	45
8.3 Limpieza de los controles.....	45
8.4 Abrir la cubierta de los filtros.....	45
8.5 Desmontar el filtro antigrasa.....	46
8.6 Limpiar los filtros antigrasa manualmente.....	46
8.7 Limpiar los filtros antigrasa en el lavavajillas.....	46
8.8 Retirar los canales colectores de grasa.....	46
8.9 Limpiar los canales colectores de grasa.....	47
8.10 Introducción de los canales colectores de grasa...	47

8.11 Colocar los filtros antigrasa.....	47
8.12 Cerrar la cubierta de los filtros.....	47
8.13 Retirar la cubierta de los filtros.....	47
8.14 Limpiar la cubierta de los filtros.....	47
8.15 Enganchar la cubierta de los filtros.....	47

### 9 Solución de problemas..... 48

### 10 Servicio de atención al cliente..... 49

10.1 Número de modelo (E-Nr.) y número de fabricación (FD).....	49
10.2 Ubicación de la placa de características del aparato.....	49

### 11 Eliminación..... 49

11.1 Eliminación de los aparatos usados.....	49
--	----

### 12 DECLARACIÓN DE GARANTÍA LIMITADA DEL PRODUCTO..... 49

12.1 Qué cubre esta garantía y a quiénes se aplica.....	49
12.2 Plazo de vigencia de la garantía.....	50
12.3 Reparación/Reemplazo como único recurso.....	50
12.4 Producto fuera de garantía.....	50
12.5 Exclusiones de la garantía.....	50
12.6 Obtener el servicio técnico de la garantía.....	51
12.7 Información del producto.....	51



# INSTRUCCIONES DE SEGURIDAD IMPORTANTES

## LEA Y CONSERVE ESTAS INSTRUCCIONES

Leer atentamente todas las instrucciones antes de proceder con el uso del aparato. Para reducir el riesgo de incendio, descarga eléctrica y lesiones personales al utilizar el aparato, se deben tomar precauciones de seguridad básicas, incluidas las que se detallan en las siguientes instrucciones de seguridad.

### 1.1 Definiciones de seguridad

Aquí puede encontrar explicaciones de las palabras de señal de seguridad utilizadas en este manual.

#### **ADVERTENCIA**

Esto indica que pueden producirse la muerte o heridas graves si no se cumple con esta advertencia.

#### **PRECAUCIÓN**

Esto indica que pueden producirse heridas leves o moderadas si no se cumple con esta advertencia.

#### **AVISO:**

Esto indica que pueden producirse daños en el aparato o en los bienes si no se cumple con este aviso.

**Nota:** Esto alerta sobre información importante.

### 1.2 Información general

Esta sección ofrece información general sobre el presente manual.

- Leer detenidamente el presente manual.
- Tener en cuenta los avisos y las instrucciones de seguridad.
- Conservar el manual y la información del producto en un lugar seguro para futuras referencias o para el siguiente propietario.
- Comprobar posibles daños en el aparato una vez desempaquetado. No conectar el aparato si este ha sufrido algún daño durante el transporte.

Este aparato está diseñado para su uso hasta un máximo de 6,560 pies (2000 metros) por encima del nivel del mar.

### 1.3 Uso seguro

#### **ADVERTENCIA**

Este aparato nuevo ha sido diseñado para ofrecer un uso seguro y confiable si recibe el cuidado adecuado.

- ▶ Leer atentamente todas las instrucciones antes de usarlo. Si se toman estas precauciones, se reducirán los riesgos de quemaduras, descarga eléctrica, incendios y lesiones personales.

- ▶ Al utilizar aparatos de cocina, se deben tomar precauciones de seguridad básicas, incluidas las que se detallan en las páginas siguientes.

#### **PRECAUCIÓN**

Solo para ventilación general.

- ▶ Para evitar el riesgo de incendio o explosión, no utilizar para evacuar materiales y vapores peligrosos o explosivos.

#### **ADVERTENCIA**

**PARA REDUCIR EL RIESGO DE INCENDIO POR LA GRASA EN LA ESTUFA**

- ▶ No desatender el aparato cuando se cocine a alta temperatura. Los derrames causan humo y se puede prender la grasa derramada. Calentar el aceite lentamente, con temperaturas bajas o medias.
  - ▶ Siempre encienda la campana extractora al cocinar a una temperatura alta.
  - ▶ Limpiar los ventiladores con frecuencia. No debe permitirse que se acumule grasa en el ventilador o el filtro.
  - ▶ Utilizar un sartén de tamaño adecuado. Utilizar siempre recipientes apropiados para el tamaño de la superficie.
  - ▶ No se deben flambear alimentos bajo la campana extractora ni trabajar con una llama directa. Cuando está encendida, la campana extractora atrae las llamas hacia el filtro. Existe riesgo de incendio debido a la grasa acumulada en el filtro.
- Podría producirse un incendio durante la cocción.
- ▶ Se debe disponer en todo momento de un detector de humo en funcionamiento cerca de la cocina.
  - ▶ Se debe tener a mano un extintor de incendios adecuado en un área fácilmente visible y accesible cerca del aparato.

En caso de que se prenda fuego a la ropa o al pelo, es preciso rodar por el suelo inmediatamente para extinguir las llamas.

No usar agua para apagar fuegos causados por grasa.

- ▶ Sofocar el fuego o la llama, o usar un polvo químico o un extintor de espuma.

Existe riesgo de incendio, si la limpieza no se realiza de acuerdo con las instrucciones del apartado de limpieza y mantenimiento → *Página 44*. Los depósitos de grasa en el filtro antigrasa pueden incendiarse.

- ▶ Limpiar el filtro antigrasa cada dos meses como mínimo o más a menudo si es necesario.



# INSTRUCCIONES DE SEGURIDAD IMPORTANTES

## LEA Y CONSERVE ESTAS INSTRUCCIONES

- ▶ No utilizar nunca el electrodoméstico sin el filtro antigrasa.

La grasa acumulada en el filtro antigrasa puede incendiarse.

- ▶ No trabajar nunca con una llama directa cerca del aparato (p. ej., flambeados).
- ▶ Instalar la unidad cerca de un aparato que produzca calor con combustibles sólidos (por ejemplo, leña o carbón) solo si dispone de una cubierta cerrada y no desmontable. No deben volar chispas.

Utilizar varias zonas de cocción de gas simultáneamente da lugar a una cantidad elevada de calor. Esto puede dañar o incendiar el aparato de ventilación.

- ▶ El aparato de ventilación solo se debe usar en combinación con zonas de cocción que no excedan la potencia máxima total de hasta 61 000 BTU/h (18 kW). Si se superan los 41 000 BTU/h (12 kW), deben respetarse las regulaciones locales relativas a la ventilación de estancias, al tamaño de las mismas y a la combinación con dispositivos de ventilación en funcionamiento de extracción y recirculación.

El aceite caliente y la grasa se prenden fuego rápidamente.

- ▶ No dejar nunca aceite y grasa calientes sin supervisión.
- ▶ No apagar nunca un incendio con agua.
- ▶ Apague la posición de cocción.
- ▶ Sofoque las llamas con cuidado con una tapa, una manta no flamable o un objeto similar.

### ADVERTENCIA

Las zonas accesibles se calientan durante el funcionamiento.

- ▶ No tocar nunca las zonas calientes.
- ▶ Mantener alejados a los niños.

Asegurarse de que todo el aparato (incluidos los filtros antigrasa y los focos, si procede) se haya enfriado y la grasa se haya solidificado antes de intentar limpiar cualquier parte del aparato.

### ADVERTENCIA

No utilizar ninguna campana extractora con el cable o el enchufe dañados.

- ▶ Ponerse en contacto con el fabricante o con un profesional autorizado para su reparación.
- No tender el cable por debajo de alfombras.
- ▶ No cubrir el cable con alfombras, tapetes ni similares.
  - ▶ No pasar el cable por debajo de muebles o electrodomésticos.

- ▶ Tender el cable alejado de la zona de paso y en un lugar donde no implique peligro de tropiezo.

### ADVERTENCIA

Los objetos colocados sobre el aparato podrían caerse.

- ▶ No colocar ningún objeto sobre el aparato.
- Almacenamiento en el interior del aparato o sobre él: el uso de productos químicos corrosivos para el calentamiento o la limpieza podría deteriorar el aparato y causar lesiones personales.
- ▶ No deben guardarse ni usarse en el interior del horno ni tampoco sobre las unidades de superficie o en sus proximidades materiales inflamables, agentes químicos corrosivos, vapores o productos no alimentarios.
  - ▶ El aparato está especialmente diseñado para calentar o cocinar alimentos.

Este aparato ha sido diseñado únicamente para un uso doméstico normal. No está aprobado para su uso en exteriores. Véase la declaración de garantía limitada del producto. En caso de duda, contactar con el fabricante.

### ADVERTENCIA

PARA REDUCIR EL RIESGO DE LESIONES PERSONALES EN CASO DE INCENDIO OCASIONADO POR GRASA EN LA COCINA, SEGUIR ESTAS INDICACIONES.

- ▶ SOFOCAR LAS LLAMAS con una tapa que ajuste correctamente, una charola para galletas u otra bandeja de metal; a continuación, apagar el quemador. ASEGÚRESE DE PREVENIR LAS QUEMADURAS. Si las llamas no se apagan de inmediato, EVACUAR EL ÁREA Y LLAMAR A LOS BOMBEROS.
- ▶ NO LEVANTAR UN SARTÉN EN LLAMAS BAJO NINGÚN CONCEPTO; hay riesgo de sufrir quemaduras.
- ▶ NO UTILIZAR AGUA ni trapos o toallas húmedos: podría producirse una explosión de vapor violenta.
- ▶ Se puede utilizar un extintor SOLAMENTE SI SE CUMPLE LO SIGUIENTE:
  - se conoce a ciencia cierta la disponibilidad de un extintor de la clase ABC y se conoce la forma de utilizarlo;
  - el incendio es pequeño y se limita al área donde se originó;
  - se ha avisado a los bomberos;
  - es posible combatir el fuego con una vía de escape detrás de usted.



# INSTRUCCIONES DE SEGURIDAD IMPORTANTES

## LEA Y CONSERVE ESTAS INSTRUCCIONES

### ADVERTENCIA

El sistema de ventilación podría absorber las llamas.

- ▶ Siempre que sea posible, evitar el uso del sistema de ventilación si se produce un incendio en la placa de cocción. No obstante, no se debe atravesar el fuego con la mano para intentar apagarlo.

### ADVERTENCIA

La luz emitida por la iluminación LED deslumbra bastante y puede dañar los ojos.

- ▶ No mirar directamente a las luces LED encendidas durante más de 100 segundos continuos.

### ADVERTENCIA

La penetración de humedad puede causar una descarga eléctrica.

- ▶ No utilizar limpiadores por chorro de vapor ni de alta presión para limpiar el aparato.

### ADVERTENCIA

PARA REDUCIR EL RIESGO DE INCENDIO, DESCARGA ELÉCTRICA O LESIONES PERSONALES, ES PRECISO CUMPLIR CON LAS INDICACIONES SIGUIENTES:

- ▶ Utilizar esta unidad solo de la manera prevista por el fabricante. En caso de duda, ponerse en contacto con el fabricante.  
→ "Servicio de atención al cliente", *Página 49*
- ▶ Antes de realizar tareas de mantenimiento o limpieza en la unidad, desconectar la alimentación eléctrica en el panel de servicio y bloquearlo. De este modo, se evita que la alimentación eléctrica se vuelva a conectar accidentalmente. Si no es posible bloquear el panel de servicio, colocar algún tipo de advertencia visible, como una nota, sobre los interruptores del mismo.

### ADVERTENCIA

Para reducir el riesgo de incendio o descarga eléctrica, no utilizar este aparato con ningún dispositivo de control de velocidad de estado sólido.

Un proceso desatendido de cocción podría causar un incendio.

- ▶ Este aparato no está diseñado para su manejo con un temporizador externo o un control remoto.

### ADVERTENCIA

Para evitar el riesgo de lesiones por un aparato o cable de alimentación dañado, tenga en cuenta lo siguiente.

- ▶ No poner nunca en funcionamiento un aparato dañado.

- ▶ No jalar nunca el cable de conexión a la red eléctrica para desenchufar el aparato. Desenchufar siempre el cable de conexión de red de la toma de corriente.
- ▶ Si el aparato o el cable de conexión de red están dañados, desenchufar inmediatamente el cable de conexión de red o desconectar el fusible de la caja de fusibles.
- ▶ Llamar al servicio de atención al cliente. → *Página 49*

### ADVERTENCIA

Al cocinar los alimentos, pueden liberarse pequeñas cantidades de ciertos subproductos, como partículas/hollín. Para reducir la exposición a estas sustancias:

- ▶ Asegurar siempre una ventilación adecuada mediante el uso de un ventilador o campana extractora apropiados, con salida al exterior y/o una ventana abierta.
- ▶ Utilizar la unidad siempre de forma acorde con las instrucciones de este manual.

### ADVERTENCIA

Los materiales calentados en exceso pueden causar incendios o quemaduras y pueden producir humo o vapores potencialmente nocivos.

- ▶ Para evitar el calentamiento en exceso, encender la campana extractora cuando se calienten grasas o se fríen a fuego medio o alto.
- ▶ Evitar calentar ollas y sartenes vacíos.
- ▶ No deje hervir líquidos en recipientes hasta su evaporación completa.
- ▶ Es preciso evitar que materiales como el papel de aluminio, el plástico, el papel o la tela entren en contacto con un elemento superficial de calentamiento, con una parrilla o con una rejilla.

### ADVERTENCIA

Para evitar el riesgo de incendio, no dejar la placa de cocción desatendida durante su uso. Cocinar sin supervisión puede conllevar riesgos de incendio, daños materiales y lesiones. Supervise siempre la cocción, especialmente cuando emplee altos niveles de calor en aceites y grasas. Los derrames pueden provocar humo y salpicaduras de aceite que pueden incendiarse.

## 1.4 Seguridad infantil

Este aparato no está diseñado para ser utilizado por personas (incluidos niños) con capacidades físicas, sensoriales o mentales reducidas, o falta de experiencia y



# INSTRUCCIONES DE SEGURIDAD IMPORTANTES

## LEA Y CONSERVE ESTAS INSTRUCCIONES

conocimiento, a menos que sean supervisados o instruidos acerca del uso del aparato por una persona responsable de su seguridad.

Cuando los niños tienen la edad adecuada para utilizar el electrodoméstico, es responsabilidad de los padres o tutores legales asegurarse de que reciban las instrucciones sobre prácticas seguras por parte de personas calificadas.

Se debe vigilar a los niños para asegurarse de que no jueguen con el aparato.

### ADVERTENCIA

No permitir que los niños usen este aparato a menos que sean supervisados de cerca por un adulto.

- ▶ Los niños y las mascotas no deben dejarse solos o desatendidos en la zona donde el aparato esté en uso. No se les debe permitir nunca jugar en sus inmediaciones, independientemente de que el aparato esté o no en uso.

No debe permitirse que nadie se suba, se pare, se recline, se siente o se cuelgue de cualquier parte de un aparato.

### PRECAUCIÓN

No guardar artículos que puedan atraer la atención de los niños en gabinetes por encima de un aparato o en la parte trasera de un electrodoméstico. Si un niño trepa por un aparato para llegar a alguno de estos elementos, podría sufrir lesiones graves.

### ADVERTENCIA

La unidad de control debe montarse en un lugar donde los niños no puedan alcanzar fácilmente el cable.

### ADVERTENCIA

Retirar toda la cinta y el embalaje antes de usar el aparato.

- ▶ Destruir el embalaje después de desembalar el aparato.
- ▶ Desechar el embalaje de manera respetuosa con el medio ambiente.
- ▶ No dejar nunca que los niños jueguen con el material de embalaje.

## 1.5 Instalación y mantenimiento correctos

### ADVERTENCIA

En caso de funcionamiento erróneo, podría ser necesario desconectar el suministro eléctrico.

- ▶ Hay que solicitar al instalador que le muestre la ubicación del breaker del circuito o del fusible. Marcarla para recordarla más fácilmente.

Para evitar el peligro de descarga eléctrica, antes de realizar cualquier tipo de mantenimiento en el aparato, desconectar el suministro eléctrico en el panel de servicio y bloquear el panel para impedir que se conecte accidentalmente.

Instalación adecuada: una instalación o una puesta a tierra erróneas pueden causar descargas eléctricas.

- ▶ Este aparato debe ser correctamente instalado y puesto a tierra por un técnico calificado.
- ▶ Se debe conectar únicamente a una toma de corriente debidamente conectada a tierra.
- ▶ Para más detalles, consultar las instrucciones de instalación.

Mantenimiento por parte del usuario: No reparar ni modificar parte alguna del aparato a menos que se recomiende específicamente en este manual.

- ▶ Un proceder incorrecto con la instalación, el servicio técnico o el mantenimiento podría causar lesiones o daños materiales.
- ▶ Consultar este manual como guía.
- ▶ Cualquier otra tarea de mantenimiento debe de ser efectuada por un proveedor de servicios de mantenimiento autorizado.

### ADVERTENCIA

Las superficies ocultas pueden tener bordes afilados.

- ▶ Proceder con cuidado al intentar sujetar el aparato por la parte trasera o desde abajo.

### ADVERTENCIA

Si el cable de alimentación se ha dañado, debe de ser sustituido por el fabricante, un técnico de servicio autorizado o una persona con calificación similar para evitar riesgos.

### ADVERTENCIA

Un funcionamiento erróneo puede causar lesiones.

- ▶ No utilizar este aparato si no funciona correctamente o si ha sufrido daños; ponerse en contacto con un profesional autorizado.



# INSTRUCCIONES DE SEGURIDAD IMPORTANTES

## LEA Y CONSERVE ESTAS INSTRUCCIONES

---

### ADVERTENCIA

Cuando la campana extractora se utilice en el modo de aire de escape simultáneamente con un quemador diferente que también utilice la misma chimenea (por ejemplo, calentadores de gas, aceite o carbón, calentadores de paso continuo o calderas de agua caliente), se deberá tener cuidado para garantizar que haya un suministro adecuado de aire fresco, necesario para que el quemador realice la combustión. El funcionamiento seguro es posible siempre que la presión en la habitación donde esté instalado el quemador no supere los 4 Pa (0.04 mbar). Esto puede lograrse facilitando el flujo de aire de combustión a través de aperturas no bloqueables, por ejemplo, puertas, ventanas o a través de la caja separadora de admisión/extracción de aire, o mediante la toma de otras medidas técnicas, como la interconexión recíproca, etc.

### PRECAUCIÓN

La grasa acumulada en los filtros puede volver a derretirse y entrar en la abertura de ventilación.

### ADVERTENCIA

Evite el envenenamiento por monóxido de carbono: proporcione una toma de aire adecuada para que los gases de combustión no vuelvan a entrar en la habitación. Una caja separadora de admisión/extracción de aire por sí sola no garantiza que no se supere el valor límite.

- ▶ Nota: Al evaluar los requisitos generales, debe tenerse en cuenta el sistema de ventilación combinado de toda la vivienda. Esta regla no se aplica al uso de aparatos de cocina, como placas de cocción y hornos.

### ADVERTENCIA

Para reducir el riesgo de incendio, descarga eléctrica o lesiones a las personas, no utilizar partes de refacción que no hayan sido recomendadas por el fabricante (p. ej., partes fabricadas en casa con una impresora 3D).

## 1.6 Advertencias en virtud de la Proposición 65 del estado de California

Este producto puede contener un químico que el Estado de California reconoce como potencialmente cancerígeno o causante de daños reproductivos. Por tanto, su producto debe llevar en su embalaje la siguiente etiqueta de conformidad con la legislación de California:

**ADVERTENCIA EN VIRTUD DE LA PROPOSICIÓN 65 DEL ESTADO DE CALIFORNIA:**

**⚠ ADVERTENCIA**

Cáncer y daño reproductivo - [www.P65Warnings.ca.gov](http://www.P65Warnings.ca.gov)

## 2 Prevención de daños materiales

### AVISO:

La condensación puede provocar daños por corrosión.

- ▶ Para evitar que se forme condensación, encender el aparato durante el cocinado.

La entrada de humedad en los controles puede provocar daños.

- ▶ No limpiar nunca los controles con un paño mojado.

Una limpieza inadecuada daña las superficies.

- ▶ Deben seguirse las instrucciones de limpieza.
- ▶ No utilizar detergentes fuertes o abrasivos.
- ▶ Limpiar las superficies de acero inoxidable exclusivamente en la dirección del acabado.
- ▶ No limpiar nunca los controles con limpiadores de acero.

## 3 Protección del medio ambiente y ahorro

### 3.1 Consejos para la eliminación del embalaje

Todos los materiales del embalaje son ecológicos y reciclables.

- ▶ Desechar los diferentes materiales separados según su naturaleza.

### 3.2 Ahorrar energía

Si tiene en cuenta estas indicaciones, su aparato consumirá menos corriente.

Se debe adaptar el nivel del ventilador a la intensidad de los vapores de cocción.

- ✓ Una menor velocidad del ventilador significa menor consumo de energía.  
El nivel intensivo solo debe utilizarse en caso necesario.

Si hay demasiado vapor de cocción, seleccionar oportunamente una mayor velocidad del ventilador.

- ✓ Los olores se dispersan menos por la estancia.

Apagar la iluminación si no se necesita.

- ✓ Si la iluminación está apagada, no consume energía.

Limpiar o cambiar los filtros en los intervalos indicados.

- ✓ El rendimiento del filtro se mantiene.

Colocar la tapa de cocción.

- ✓ El vapor de cocción y la condensación se reducen.

Solamente utilice las funciones adicionales si es necesario.

- ✓ Desactivar las funciones adicionales disminuye el consumo energético.

## 4 Modos de funcionamiento

El aparato puede utilizarse en funcionamiento con evacuación exterior de aire o en funcionamiento con recirculación de aire.

### 4.1 Modo evacuación exterior de aire

Los filtros antigrasa limpian el aire aspirado y lo transportan al exterior a través de un sistema de tubos.



No se debe extraer el aire a una chimenea que se utilice para evacuar humos de escape de aparatos que queman gas u otros combustibles (esto no se aplica a aparatos que solo devuelven aire a la estancia).

- Si el aire de salida se necesita transportar hacia una chimenea de humos o de escape de gases que no se está utilizando, debe obtenerse primero el permiso del inspector de calefacción responsable de esa zona.
- Si el aire de salida se transporta por medio de la pared exterior, se debe utilizar un pasamuros telescópico.

### 4.2 Modo de recirculación de aire

Los filtros antigrasa y los filtros antiolores limpian el aire aspirado y lo transportan a la estancia de nuevo.



Para retener los olores en modo de recirculación de aire, debe instalarse un filtro antiolores. Las diferentes opciones para el funcionamiento del aparato en el modo de recirculación de aire se encuentran en nuestro catálogo. Si lo prefiere, consulte a su distribuidor. Los accesorios necesarios están disponibles en tiendas especializadas, en el servicio de atención al cliente o en la tienda en línea.

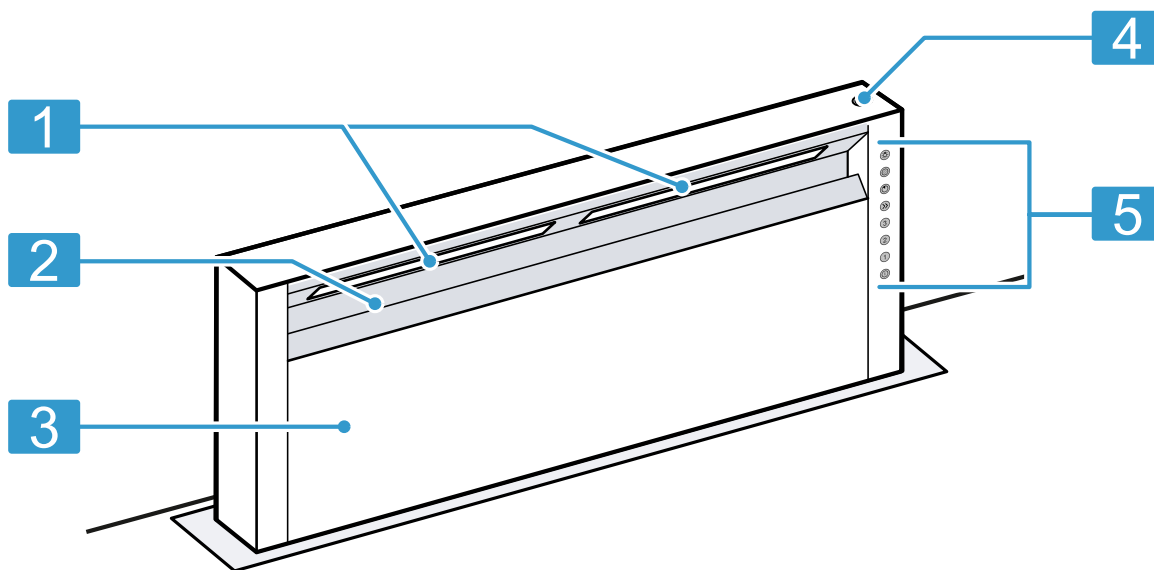
**Nota:** Cuando se cocina de manera intensiva y durante mucho tiempo, se libera humedad en el aire del lugar. Al utilizar el aparato en modo de recirculación de aire, se recomienda ventilar adecuadamente la cocina, por ejemplo, abriendo brevemente una ventana para eliminar el exceso de humedad.

## 5 Familiarizándose con el aparato

Este manual abarca varios modelos. Es posible que el modelo adquirido tenga solo algunas de las funciones descritas.

### 5.1 Aparato

Aquí encontrará una vista general de los componentes de su aparato.



1	Iluminación LED
2	Abertura de ventilación
3	Cubierta de los filtros
4	Botón de elevación
5	Panel de control

>>	Activa o desactiva el nivel intensivo
3	Activa o desactiva el ajuste 3 del ventilador
2	Activa o desactiva el ajuste 2 del ventilador
1	Activa o desactiva el ajuste 1 del ventilador
Ⓛ	Enciende o apaga el aparato

### 5.2 Elementos de control

A través del panel de control se ajustan todas las funciones de su aparato y se obtiene información sobre el estado de funcionamiento.

Todos los botones de selección de funciones se iluminan cuando están activos. El piloto de control «indicador de saturación» parpadea.

☀	Enciende o apaga la iluminación
⊙	Restablece el indicador de saturación del filtro
⌚	Activa o desactiva el funcionamiento continuo del ventilador

### 5.3 Desconexión de seguridad

Para su protección, el aparato dispone de una función de desconexión de seguridad.

El aparato desconecta la iluminación después de 12 horas y el sistema de ventilación después de 4 horas si no se utiliza el aparato durante este periodo.

## 6 Antes del primer uso

Limpie el aparato y los accesorios.

## 7 Manejo básico

### 7.1 Extender el aparato

#### ⚠ ADVERTENCIA

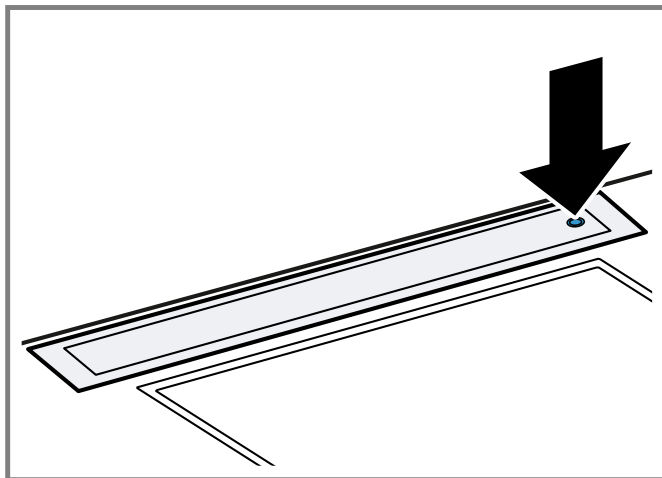
Riesgo de quedar atrapado al retraer o extender el aparato.

- ▶ No introducir nunca la mano en la zona de movimiento del aparato cuando esté retrayéndose o extendiéndose.
- ▶ Mantener a los niños alejados del aparato.

#### ⚠ ADVERTENCIA

Los utensilios de cocina colocados en la zona de movimiento del aparato pueden caerse. Los líquidos calientes que se derraman pueden causar lesiones.

- ▶ No colocar utensilios de cocina en la zona de movimiento del aparato.
1. Retirar cualquier objeto de la zona de movimiento del aparato.
  2. Presionar el botón situado en la parte superior del aparato.



- ✓ El aparato se extiende completamente.

### 7.2 Retraer el aparato

#### ⚠ ADVERTENCIA

Riesgo de quedar atrapado al retraer o extender el aparato.

- ▶ No introducir nunca la mano en la zona de movimiento del aparato cuando esté retrayéndose o extendiéndose.
- ▶ Mantener a los niños alejados del aparato.

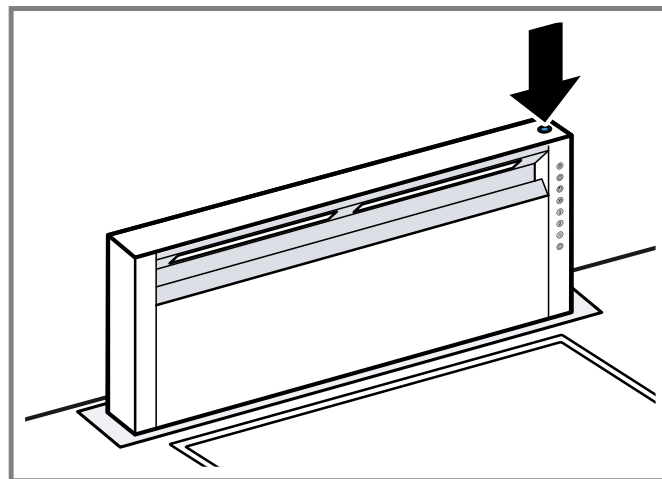
#### ⚠ ADVERTENCIA

Los utensilios de cocina colocados en la zona de movimiento del aparato pueden caerse. Los líquidos calientes que se derraman pueden causar lesiones.

- ▶ No colocar utensilios de cocina en la zona de movimiento del aparato.

**Requisito:** La cubierta de los filtros está completamente cerrada.

1. Retirar cualquier objeto de la zona de movimiento del aparato.
2. Presionar el botón situado en la parte superior del aparato.



- ✓ El aparato se retrae completamente.
- ✓ El aparato apaga la iluminación y el sistema de ventilación.

### 7.3 Encender el aparato

**Requisito:** El aparato está completamente extendido.

- ▶ Presionar ①.
- ✓ El aparato empieza a funcionar con una potencia de extracción 2.

### 7.4 Apagar el aparato

- ▶ Presionar ①.

### 7.5 Seleccionar la potencia de extracción

- ▶ Presionar 1, 2, 3 o >> para configurar el ajuste del ventilador.

### 7.6 Activar el nivel intensivo

Si se forman olores o vapores especialmente fuertes, puede utilizarse el nivel intensivo.

1. Presionar ①.
- ✓ El aparato empieza a funcionar con una potencia de extracción 2.
2. Presionar >>.
- ✓ El nivel intensivo está activado.

- ✓ Transcurridos unos 6 minutos, el aparato vuelve al ajuste de ventilador seleccionado anteriormente.

## 7.7 Desactivar el nivel intensivo

- ▶ Presionar ①, 1, 2 o 3.
- ✓ El nivel intensivo se desactiva pronto.

## 7.8 Activar funcionamiento continuo del ventilador

El funcionamiento continuo del ventilador está disponible para todos los ajustes del ventilador.

1. Presionar 1, 2, 3 o >>.
  2. Presionar ☹.
- ✓ El funcionamiento continuo del ventilador comienza en el ajuste de ventilador seleccionado.
  - ✓ El aparato se apaga al cabo de unos 10 minutos.
  - ✓ La iluminación permanece encendida una vez transcurrido el tiempo de funcionamiento continuo del ventilador.

## 7.9 Desactivar funcionamiento continuo del ventilador

- ▶ Presionar ☹.
- ✓ El funcionamiento continuo del ventilador finaliza antes de que termine el tiempo de funcionamiento continuo restante.

## 7.10 Activar la ventilación a intervalos

Con la ventilación a intervalos, el aparato activa y desactiva la ventilación a intervalos regulares.

1. Presionar 1, 2 o 3.
  2. Presionar ☹ dos veces.
- ✓ ☹ y el símbolo del ajuste del ventilador seleccionado parpadean alternativamente.
  - ✓ La ventilación a intervalos está activada.
  - ✓ El aparato conecta el sistema de ventilación durante 10 minutos cada hora en cada caso.

## 7.11 Desactivar la ventilación a intervalos

- ▶ Presionar ①.
- ✓ La ventilación a intervalos está desactivada.

## 7.12 Encender la iluminación

La iluminación puede encenderse y apagarse independientemente del sistema de ventilación.

- ▶ Presionar ☀.

## 7.13 Ajustar el brillo

- ▶ Mantener presionado ☀ hasta alcanzar el brillo necesario.

## 7.14 Apagar la iluminación

- ▶ Presionar ☀.

## 7.15 Restablecer el indicador de saturación

Después de 30 horas de funcionamiento, el indicador de saturación Ⓢ de los filtros de grasa parpadea.

1. Limpiar los filtros antigrasa.
2. Presionar Ⓢ.

---

# 8 Limpieza y cuidados

Para que el aparato mantenga durante mucho tiempo su capacidad funcional, debe mantenerse y limpiarse con cuidado.

## 8.1 Productos de limpieza

Puede adquirir productos de limpieza adecuados en el servicio postventa o en la tienda en línea.

### ⚠ ADVERTENCIA

La penetración de humedad puede causar una descarga eléctrica.

- ▶ Antes de proceder con la limpieza, hay que desconectar el enchufe o los fusibles de la caja de fusibles.
- ▶ No utilizar limpiadores por chorro de vapor ni de alta presión para limpiar el aparato.

### ⚠ ADVERTENCIA

El aparato se calienta durante el funcionamiento.

- ▶ Dejar que el aparato se enfríe antes de proceder a su limpieza.

### AVISO:

Los productos de limpieza inadecuados pueden dañar la superficie del aparato.

- ▶ No utilizar agentes agresivos ni abrasivos.
- ▶ No utilizar productos de limpieza con un alto contenido de alcohol.
- ▶ No utilizar estropajos ni esponjas de fibra dura.
- ▶ Utilizar únicamente limpiadores y espátulas para cristal o productos para el cuidado de acero inoxidable si así lo recomiendan las instrucciones de limpieza de la parte correspondiente.
- ▶ Lavar meticulosamente las esponjas y los trapos antes de usarlos.

## 8.2 Limpiar el aparato

Limpiar el aparato según se indica. Esto garantizará que las distintas partes y superficies del aparato no se dañan por una limpieza inadecuada o por el uso de productos no adecuados.

### ⚠ ADVERTENCIA

Los productos de limpieza alcalinos altamente corrosivos o los altamente ácidos usados en piezas de aluminio del interior del aparato pueden provocar explosiones.

- ▶ Nunca utilizar productos de limpieza alcalinos altamente corrosivos o altamente ácidos. Concretamente, no utilizar productos de limpieza comerciales o industriales en piezas de aluminio, p. ej., filtros antigrasa en la campana extractora.

### ⚠ ADVERTENCIA

La penetración de humedad puede causar una descarga eléctrica.

- ▶ Antes de proceder con la limpieza, hay que desconectar el enchufe o los fusibles de la caja de fusibles.
- ▶ No utilizar limpiadores por chorro de vapor ni de alta presión para limpiar el aparato.

### ⚠ ADVERTENCIA

El aparato se calienta durante el funcionamiento.

- ▶ Dejar que el aparato se enfríe antes de proceder a su limpieza.

### ⚠ ADVERTENCIA

Los componentes del interior del aparato pueden tener bordes afilados.

- ▶ Limpiar con cuidado el interior del aparato.

1. Tener presente la información relativa a los productos de limpieza.  
→ "Productos de limpieza", Página 44
2. Limpiar según se indica a continuación dependiendo de la superficie:
  - Limpiar las superficies de acero inoxidable en la dirección del acabado utilizando una esponja y un paño con agua jabonosa caliente.
  - Limpiar las superficies pintadas utilizando una esponja y un paño humedecidos en agua jabonosa caliente.
  - Limpiar las partes de aluminio utilizando un paño suave y un limpiador para cristales.
  - Limpiar las partes de plástico utilizando un paño suave y un limpiador para cristales.
  - Limpiar las partes de vidrio utilizando un paño suave y un limpiador para cristales.
3. Secar con un paño suave.
4. Aplicar una capa fina de producto de limpieza para acero inoxidable en las superficies de este material utilizando un paño suave.

Puede adquirir productos de limpieza para acero inoxidable en el servicio postventa o en la tienda en línea.

## 8.3 Limpieza de los controles

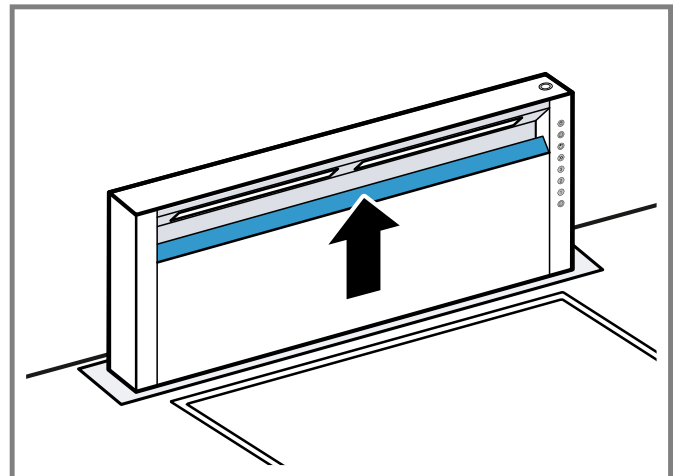
### ⚠ ADVERTENCIA

La entrada de humedad puede provocar una descarga eléctrica.

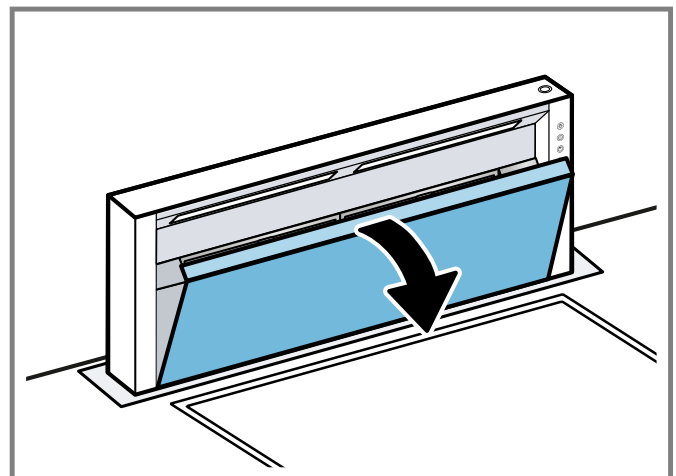
- ▶ No utilizar paños de esponja húmedos.
1. Tener presente la información relativa a los productos de limpieza.  
→ "Productos de limpieza", Página 44
  2. Limpiar utilizando una esponja y un paño humedecidos en agua jabonosa caliente.
  3. Secar con un paño suave.

## 8.4 Abrir la cubierta de los filtros

1. Sujetar la cubierta de los filtros por el centro y jalarla hacia arriba.

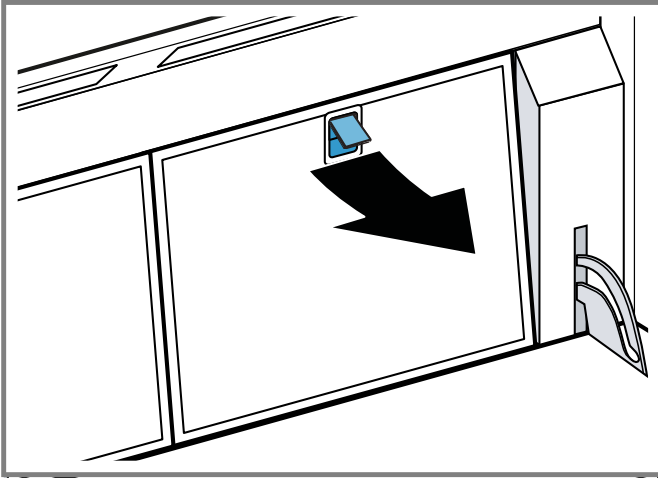


2. Plegar la cubierta de los filtros hacia adelante.

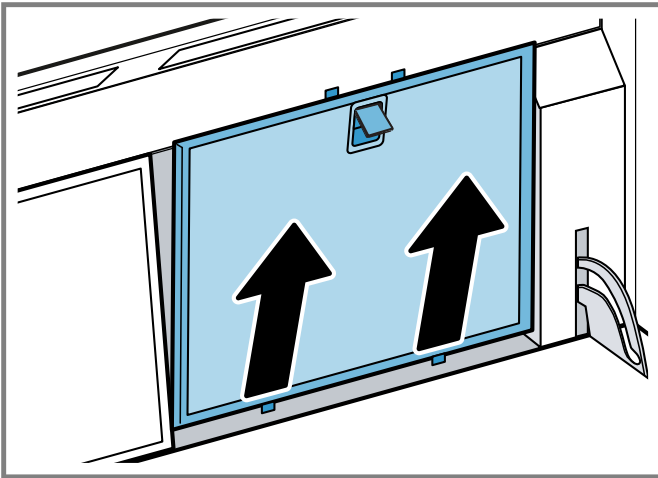


## 8.5 Desmontar el filtro antigrasa

1. Abrir el mecanismo de bloqueo y plegar los filtros de grasa hacia adelante.



2. Retirar los filtros antigrasa de los soportes.



Sujetar el filtro antigrasa en posición horizontal para evitar que gotee grasa.

3. Limpiar el soporte de los filtros de grasa del aparato con un paño húmedo.

## 8.6 Limpiar los filtros antigrasa manualmente

Los filtros antigrasa filtran la grasa de los vapores de la cocina. Limpiar regularmente los filtros antigrasa asegura un alto nivel de absorción de grasa. Recomendamos limpiar los filtros antigrasa cada 2 meses.

### ⚠ ADVERTENCIA

Los depósitos de grasa en los filtros antigrasa pueden prenderse.

- ▶ Limpiar regularmente los filtros antigrasa.

**Requisito:** Los filtros antigrasa se han desmontado.

→ "Desmontar el filtro antigrasa", Página 46

1. Tener presente la información relativa a los productos de limpieza.

→ "Productos de limpieza", Página 44

2. Dejar los filtros antigrasa en remojo en agua jabonosa caliente.

Utilizar un desengrasante especial para la suciedad persistente. Se puede comprar el desengrasante en el servicio al cliente o en la tienda en línea.

3. Utilizar un cepillo para limpiar los filtros antigrasa.
4. Enjuagar bien los filtros antigrasa.
5. Dejar escurrir los filtros antigrasa.

## 8.7 Limpiar los filtros antigrasa en el lavavajillas

Los filtros antigrasa filtran la grasa de los vapores de la cocina. Limpiar regularmente los filtros antigrasa asegura un alto nivel de absorción de grasa. Recomendamos limpiar los filtros antigrasa cada 2 meses.

### ⚠ ADVERTENCIA

Los depósitos de grasa en los filtros antigrasa pueden prenderse.

- ▶ Limpiar regularmente los filtros antigrasa.

### AVISO:

Los filtros antigrasa puede sufrir daños en caso de quedar atrapados en el lavavajillas.

- ▶ No dejar que queden atrapados los filtros antigrasa.

**Nota:** Al limpiar el filtro antigrasa en el lavavajillas, es posible que se produzca una ligera decoloración. Esta decoloración no afecta al funcionamiento de los filtros metálicos antigrasa.

**Requisito:** Los filtros antigrasa se han desmontado.

→ "Desmontar el filtro antigrasa", Página 46

1. Tener presente la información relativa a los productos de limpieza.

→ "Productos de limpieza", Página 44

2. Colocar los filtros antigrasa holgadamente en el lavavajillas.

No lavar los filtros antigrasa con los utensilios de cocina si están muy sucios.

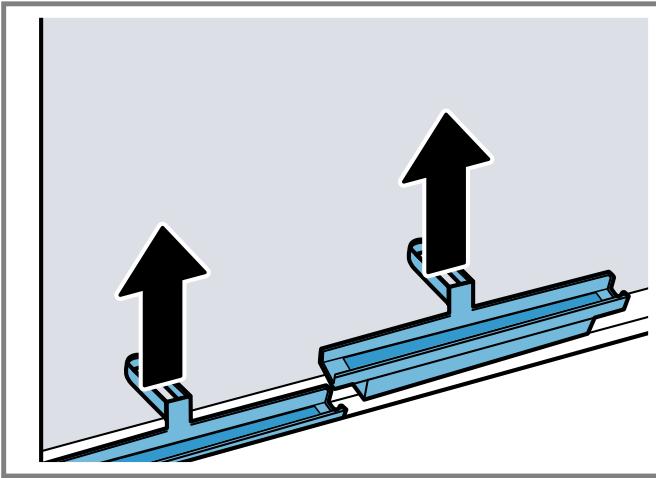
Utilizar un desengrasante especial para la suciedad persistente. Se puede comprar el desengrasante en el servicio al cliente o en la tienda en línea.

3. Poner en funcionamiento el lavavajillas.  
Seleccionar una temperatura no superior a 160 °F (70 °C).
4. Dejar escurrir los filtros antigrasa.

## 8.8 Retirar los canales colectores de grasa

**Nota:** Para facilitar la limpieza, se pueden retirar los canales colectores de grasa.

- ▶ Retirar los canales colectores de grasa.



### 8.9 Limpiar los canales colectores de grasa

- ▶ Limpiar los canales colectores de grasa en el lavavajillas o a mano con agua caliente jabonosa.

### 8.10 Introducción de los canales colectores de grasa

- ▶ Introducir los canales colectores de grasa.

### 8.11 Colocar los filtros antigrasa

1. Insertar las filtros antigrasa.
2. Plegar los filtros antigrasa hacia atrás y encajar el mecanismo de bloqueo.

### 8.12 Cerrar la cubierta de los filtros

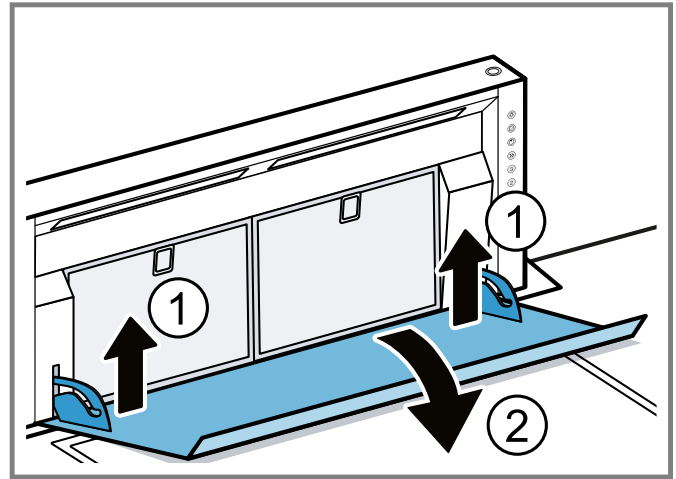
1. Sujetar la cubierta de los filtros por el centro y doblarla hacia arriba.
- ✓ La cubierta de los filtros se encaja a presión.
2. Restablecer el indicador de saturación. → *Página 44*

### 8.13 Retirar la cubierta de los filtros

**Nota:** Para una mejor limpieza, se puede retirar la cubierta de los filtros.

1. Abrir la cubierta de los filtros.
2. Sujetar la cubierta de los filtros por el costado con ambas manos.

3. Levantar completamente la parte trasera y jalar la cubierta de los filtros hacia adelante.



4. La cubierta de los filtros puede extraerse utilizando los pernos del soporte.

### 8.14 Limpiar la cubierta de los filtros

- ▶ Limpiar la cubierta de los filtros a mano con agua caliente jabonosa.

### 8.15 Enganchar la cubierta de los filtros

1. Sujetar la cubierta de los filtros por el costado con ambas manos.
2. Deslizar la cubierta de los filtros sobre los pernos del soporte.
3. Levantar la cubierta de los filtros por la parte delantera hasta que encaje en su posición.

## 9 Solución de problemas

Usted mismo puede solucionar los errores menores de su aparato. Lea la información acerca de cómo solucionar los errores antes de contactar con Atención al Cliente. Así podrá evitar visitas de reparación innecesarias.

### ADVERTENCIA

Para evitar riesgos de lesiones derivadas de reparaciones inadecuadas, se recomienda seguir las siguientes indicaciones.

- ▶ Únicamente los técnicos especialistas o los proveedores de servicios autorizados deben llevar a cabo reparaciones.

- ▶ Si el cable de conexión de red o el cable de conexión de este aparato resulta dañado, debe ser sustituido por un cable especial de conexión de red o por un cable especial de conexión para este aparato que puede obtenerse a través del fabricante o de su servicio de atención al cliente.
- ▶ Si el cable de conexión de red de este aparato resulta dañado, éste debe ser sustituido por personal cualificado.
- ▶ Solo se pueden utilizar repuestos originales para reparar el aparato.
- ▶ Si el aparato presenta un problema, llamar al Servicio al cliente.

Falla	Causas y resolución de problemas
El aparato no funciona.	El enchufe del cable de alimentación no está conectado. ▶ Conecte el aparato a la red eléctrica.
	El fusible de la caja de fusibles se ha disparado. ▶ Comprobar el fusible de la caja de fusibles.
	Se interrumpió el suministro de corriente eléctrica. ▶ Compruebe si funciona la iluminación ambiental y otros aparatos en la habitación.
	El aparato no está conectado a la unidad de control. ▶ Conectar la unidad de control al aparato.
El aparato no funciona: todos los botones parpadean.	El enchufe del cable de red no está enchufado. ▶ Comprobar la conexión de los cables de red para todos los aparatos.
	El fusible de la caja de fusibles se ha disparado. ▶ Comprobar el fusible de la caja de fusibles.
	Ha fallado un componente del aparato. ▶ Póngase en contacto con el Servicio de atención al cliente → <i>Página 49</i> .
El aparato no se retrae.	La cubierta de los filtros no está cerrada. ▶ Cerrar completamente la cubierta de los filtros. → <i>"Cerrar la cubierta de los filtros", Página 47</i>
La iluminación del botón no funciona.	Falla la unidad de control. ▶ Póngase en contacto con el Servicio de atención al cliente → <i>Página 49</i> .
La iluminación LED no funciona.	Son posibles diferentes causas. ▶ Las luces LED defectuosas solo las puede sustituir el fabricante, el servicio de atención al cliente o un técnico debidamente calificado (electricista). ▶ Póngase en contacto con el Servicio de atención al cliente → <i>Página 49</i> .
El indicador de saturación parpadea.	Los filtros antigrasa están saturados. ▶ → <i>"Limpiar los filtros antigrasa en el lavavajillas", Página 46</i> ▶ Limpiar los filtros antigrasa a mano. → <i>Página 46</i>
Ruidos al retraer o extraer el aparato.	Estos ruidos son inherentes al diseño y no afectan al manejo del aparato. ▶ Es normal. No es necesario realizar ninguna acción.

## 10 Servicio de atención al cliente

En cada reparación cubierta por la garantía, nos aseguramos de que su aparato sea reparado con repuestos originales por un proveedor de servicio capacitado y autorizado. Solo utilizamos repuestos originales para todos los tipos de reparaciones. Nuestro servicio al cliente le proporcionará piezas de repuesto originales, funcionales y disponibles en inventario hasta 15 años a partir de la fecha de introducción del aparato en el mercado.

Para más información, contactar con nuestro servicio al cliente.

Las informaciones detalladas sobre el periodo de validez de la garantía y las condiciones de garantía las podrá encontrar en nuestras condiciones de garantía, con su distribuido o en nuestra página web.

Las fuentes de luz se encuentran disponibles como repuesto y su sustitución solo la puede llevar a cabo personal cualificado.

USA:

1-877-442-4436

www.gaggenau.com

www.gaggenau.com/us/appliances/eshop

CA:

1-877-442-4436

www.gaggenau.com

www.gaggenau.ca

### 10.1 Número de modelo (E-Nr.) y número de fabricación (FD)

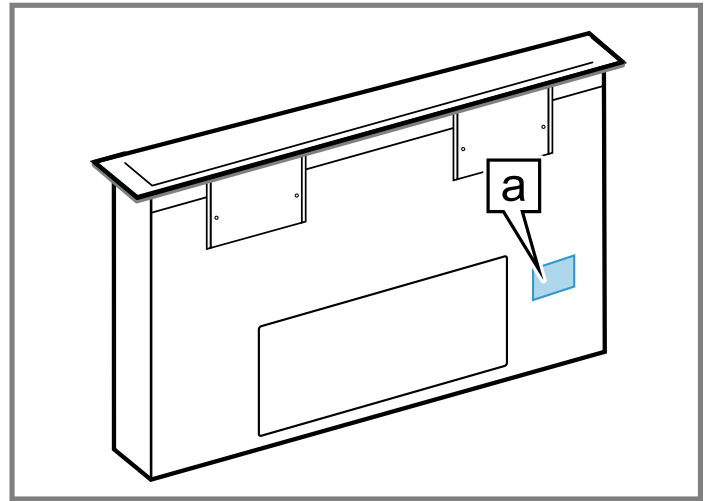
El número de modelo (E-Nr.) y el número de fabricación (FD) se encuentran en la placa de características del aparato.

La placa de características se encuentra en la parte inferior delantera del aparato. Para ello, abrir la puerta del gabinete inferior en el que está colocado el aparato. Para volver a encontrar rápidamente los datos del aparato o el número de teléfono del servicio de atención al cliente, puede anotar dichos datos.

### 10.2 Ubicación de la placa de características del aparato

Puede encontrar la placa de características del aparato:

- en la parte delantera inferior del aparato. Para acceder a ella, abrir la puerta del gabinete en el que está instalado el aparato.



**a** Placa de características

## 11 Eliminación

### 11.1 Eliminación de los aparatos usados

Mediante una eliminación respetuosa con el medio ambiente se pueden reutilizar materias primas valiosas.

1. Desenchufar el cable de conexión a la red de la toma de corriente.
2. Separar el cable de conexión a la red.
3. Desechar el aparato de manera respetuosa con el medio ambiente.

Su distribuidor o el ayuntamiento local puede proporcionarle información sobre las vías y posibilidades actuales de desecho de materiales.

## 12 DECLARACIÓN DE GARANTÍA LIMITADA DEL PRODUCTO

### 12.1 Qué cubre esta garantía y a quiénes se aplica

La garantía limitada otorgada por BSH Home Appliances («Gaggenau») en esta Declaración de Garantía Limitada del Producto se aplica únicamente al aparato Gaggenau vendido a usted («Producto»), el primer comprador usuario, condicionada estrictamente a que el Producto haya sido comprado a partir del 1 de enero de 2025:

- Para uso doméstico normal (no comercial) y haya sido utilizado en todo momento únicamente para fines domésticos normales.
- Nuevo en una tienda minorista autorizada de BSH o directamente de BSH (que no sea un producto de exhibición ni un producto vendido «en las condiciones en que se encuentre» ni un modelo devuelto anteriormente) y que no esté destinado a reventa ni uso comercial.

- Dentro de los Estados Unidos o Canadá, y que haya permanecido en todo momento dentro del país de compra original.

La garantía descrita aquí es válida para el comprador original del producto cubierto por esta garantía y para todo usuario posterior del producto, adquirido para un uso doméstico, durante el término de la garantía.

Asegurarse de registrar su producto; si bien no es necesario para hacer efectiva la cobertura de la garantía, es la mejor manera de que Gaggenau pueda enviar una notificación en el caso poco probable de que se emita un aviso de seguridad o se retire del mercado un producto.

## 12.2 Plazo de vigencia de la garantía

Gaggenau garantiza que el Producto no tiene defectos de materiales ni de mano de obra durante un período de cinco (5) años a partir de la fecha de entrega. La garantía sólo se ampliará por el tiempo transcurrido entre la fecha de su reclamación de garantía y la fecha de la reparación total o la sustitución del Producto. También se garantiza que este Producto no presenta defectos **estéticos** en el material ni en la mano de obra (como rayas en el acero inoxidable, imperfecciones en la pintura/porcelana, desportilladuras, astillas, abolladuras ni ningún otro daño en el acabado) del Producto durante un período de sesenta (60) días desde la fecha de entrega o fecha de cierre para una nueva construcción. Esta garantía **cosmética** excluye ligeras variaciones de color debidas a diferencias inherentes a las piezas pintadas y de porcelana, así como diferencias causadas por la iluminación de la cocina, la ubicación del producto u otros factores similares. Esta garantía **cosmética** excluye expresamente cualquier aparato de exposición, «en estado actual» o «B».

## 12.3 Reparación/Reemplazo como único recurso

Durante el período de esta garantía, Gaggenau o uno de sus proveedores de servicio técnico autorizados reparará el producto sin cargo (sujeto a determinadas limitaciones especificadas en el presente) si se prueba que el producto ha sido fabricado con un defecto en los materiales o en la mano de obra. Si se ha intentado de manera razonable reparar el Producto sin éxito, Gaggenau reemplazará el Producto (es posible llegar a disponer de modelos mejorados, a entera discreción de Gaggenau, por un cargo adicional). Esta garantía no establece que las piezas dañadas o defectuosas se reemplacen por piezas de diferente tipo o diseño a las piezas originales. Todas las partes y los componentes retirados serán propiedad de Gaggenau, a su entera discreción. Todas las partes reemplazadas y/o reparadas se considerarán como la parte original a los fines de esta garantía y esta garantía no se extenderá con respecto a dichas partes. En virtud del presente documento, la exclusiva responsabilidad y obligación de Gaggenau es únicamente reparar el Producto defectuoso de fábrica, a través de un proveedor de servicio técnico autorizado por Gaggenau, durante el

horario normal de oficina. Por cuestiones de seguridad y daños materiales, Gaggenau recomienda categóricamente no intentar reparar el Producto por cuenta propia ni usar un proveedor de servicio técnico no autorizado; Gaggenau no tendrá ninguna responsabilidad ni obligación por daños ocasionados por reparaciones o trabajos realizados por un proveedor de servicio técnico no autorizado. Los proveedores de servicio técnico autorizados son aquellas personas o compañías que han sido especialmente capacitadas para manejar los productos de Gaggenau y que tienen, según el criterio de Gaggenau, una reputación superior de servicio de atención al cliente y capacidad técnica (tenga en cuenta que son entidades independientes y no son agentes, socias, afiliadas ni representantes de Gaggenau). Sin embargo, llevar su producto a un taller de reparación que no esté afiliado o a un distribuidor autorizado de Gaggenau no anulará esta garantía. Además, el uso de piezas de terceros no anulará esta garantía. Independientemente de lo antedicho, Gaggenau no tendrá responsabilidad ni obligación alguna por el Producto que se encuentre en un área remota (a más de 100 millas de un proveedor de servicio técnico autorizado) o en un lugar, área circundante o entorno que no sean accesibles por medios razonables o que sean peligrosos, hostiles o arriesgados; en ese caso, a su solicitud, Gaggenau de todas maneras pagará por la mano de obra y las partes, y enviará las partes al proveedor de servicio técnico autorizado más cercano, pero el cliente seguirá siendo totalmente responsable por el tiempo de viaje y demás cargos especiales de la compañía de servicio técnico, siempre que esta acepte realizar la visita de servicio técnico. Además, en la medida en que haya instalado el producto en una ubicación de difícil acceso o haya instalado accesorios temporales o permanentes que creen barreras para acceder o retirar el producto, Gaggenau no incurrirá en ninguna responsabilidad por el trabajo o los costos asociados con el traslado del producto o la creación de acceso al producto para repararlo o reemplazarlo. Todos estos costos serán responsabilidad exclusiva de usted.

## 12.4 Producto fuera de garantía

Gaggenau no tiene obligación alguna, en virtud de la ley ni por otro motivo, de otorgarle ninguna concesión, incluidos reparaciones, prorrates o reemplazo del Producto, con posterioridad al vencimiento de la garantía.

## 12.5 Exclusiones de la garantía

La cobertura de garantía descrita en el presente documento excluye todos los defectos o daños que no fueron provocados directamente por Gaggenau, incluidos, entre otros, alguno de los siguientes:

- Uso del Producto de maneras distintas del uso normal, habitual y previsto (incluidos, entre otros, cualquier forma de uso comercial, uso o almacenamiento en exteriores de un producto diseñado para interiores, uso del Producto en aeronaves o embarcaciones).

- Conducta indebida, negligencia, uso indebido, abuso, accidentes, descuido, operación inadecuada, omisión de mantenimiento, instalación inadecuada o negligente, adulteración, omisión de seguir las instrucciones de operación, manipulación inadecuada, servicio técnico no autorizado (incluidos «arreglos» o exploración de los mecanismos internos del aparato realizados por uno mismo) por parte de cualquier persona.
- Ajuste, alteración o modificación de cualquier tipo.
- Incumplimiento de los códigos, reglamentaciones o leyes de electricidad, plomería y/o construcción estatales, locales, municipales o de condado, incluida la omisión de instalar el producto cumpliendo estrictamente con los códigos y reglamentaciones locales de construcción y protección contra incendios.
- Desgaste habitual, derrames de alimentos, líquidos, acumulaciones de grasa u otras sustancias que se acumulen sobre el Producto, dentro o alrededor de este.
- Cualquier fuerza y factor externo, elemental y/o ambiental, incluidos, entre otros, lluvia, viento, arena, inundaciones, incendios, aludes de lodo, temperaturas bajas extremas, humedad excesiva o exposición prolongada a la humedad, rayos, sobrecargas eléctricas, fallos estructurales alrededor del aparato y catástrofes naturales.
- Llamadas al servicio técnico para subsanar la instalación del Producto, enseñar al usuario a usar el Producto, reemplazar los fusibles domésticos o subsanar el cableado o las instalaciones de fontanería.
- Extracción y sustitución de recortes o paneles decorativos que interfieran con el mantenimiento del Producto.
- Daños o defectos provocados por la mano de obra o piezas instaladas por cualquier proveedor de servicio técnico no autorizado, a menos que este último haya sido aprobado por Gaggenau antes de realizar el servicio.

En ningún caso Gaggenau tendrá responsabilidad ni obligación alguna por los daños ocasionados a los bienes circundantes, incluidos los gabinetes, pisos, techos y demás estructuras u objetos que se encuentren alrededor del Producto. También se excluyen de esta garantía los Productos en los cuales los números de serie hayan sido alterados, modificados o eliminados; las visitas del servicio técnico para enseñarle a usar el Producto o las visitas en las que se determine que no hay ningún problema con el Producto; la corrección de los problemas de instalación (usted es el único responsable de cualquier estructura y soporte del Producto, incluidas todas las instalaciones de electricidad y plomería o demás instalaciones de conexión, de la correcta instalación en bases/pisos, y de cualquier alteración, incluidos, a modo de ejemplo, gabinetes, paredes, pisos, repisas, etc.); y el restablecimiento de breakers o fusibles.

EN LA MEDIDA PERMITIDA POR LA LEY, ESTA GARANTÍA ESTABLECE SUS RECURSOS EXCLUSIVOS CON RESPECTO AL PRODUCTO, INDEPENDIEMENTE DE QUE LA RECLAMACIÓN

SEA CONTRACTUAL O EXTRA CONTRACTUAL (INCLUIDA LA RESPONSABILIDAD OBJETIVA O LA NEGLIGENCIA), O DE CUALQUIER OTRO TIPO. ESTA GARANTÍA REEMPLAZA TODAS LAS DEMÁS GARANTÍAS EXPRESAS O IMPLÍCITAS. LAS GARANTÍAS IMPLÍCITAS POR LEY, YA SEA DE COMERCIALIZACIÓN O DE APTITUD PARA UN FIN ESPECÍFICO, O DE CUALQUIER OTRO TIPO, TENDRÁN VIGENCIA ÚNICAMENTE POR EL PERÍODO DE VIGENCIA DE LA PRESENTE GARANTÍA LIMITADA EXPRESA. EN NINGÚN CASO SERÁ EL FABRICANTE RESPONSABLE POR LOS DAÑOS CONSECUENTES, ESPECIALES, Y/O DAÑOS PUNITIVOS, PÉRDIDAS O GASTOS, INCLUIDOS, ENTRE OTROS, TIEMPO FUERA DEL TRABAJO, HOTELES O COMIDAS EN RESTAURANTES, GASTOS DE REMODELACIÓN QUE SUPEREN LOS DAÑOS DIRECTOS, QUE DEFINITIVAMENTE HAYAN SIDO PROVOCADOS DE MANERA EXCLUSIVA POR GAGGENAU O DE OTRA MANERA. ALGUNOS ESTADOS NO PERMITEN LA EXCLUSIÓN O LIMITACIÓN DE DAÑOS INCIDENTALES O CONSECUENTES, Y ALGUNOS ESTADOS NO PERMITEN LIMITACIONES CON RESPECTO AL PLAZO DE VIGENCIA DE UNA GARANTÍA IMPLÍCITA; POR LO TANTO, ES POSIBLE QUE LAS EXCLUSIONES O LIMITACIONES PRECEDENTES NO SE APLIQUEN. ESTA GARANTÍA OTORGA DERECHOS LEGALES ESPECÍFICOS, Y TAMBIÉN PUEDEN CORRESPONDERLE OTROS DERECHOS QUE PUEDEN VARIAR SEGÚN EL ESTADO.

Ningún intento de alterar, modificar o enmendar la presente garantía será válido, a menos que fuera autorizado por escrito por un ejecutivo de BSH.

## 12.6 Obtener el servicio técnico de la garantía

Para obtener el servicio de garantía para su producto, debe comunicarse con el Servicio de asistencia técnica de Gaggenau al 1-877-442-4436 para programar una reparación.

## 12.7 Información del producto

Para una referencia rápida, copiar la información que se encuentra a continuación de la placa de características. Conservar su factura y/o los documentos de entrega para la validación de la garantía.

---

Número de modelo  
(E-Nr.)

---

Número de  
fabricación (FD)

---

Fecha de entrega

---

**BSH Home Appliances Corporation**  
1901 Main Street, Suite 600  
Irvine, CA 92614  
USA  
[www.gaggenau.com](http://www.gaggenau.com)  
1-877-442-4436  
© 2026 BSH Home Appliances Corporation

**GAGGENAU**



9001654652 en-us, fr-ca, es-mx (060310)