



400 and 200 series recirculation blower AR 413

AR 413 722

Recirculation blower.
Air recirculation.
HVI CFM: 370, High Speed.
For installation in 4" toe-kick.
For air recirculation operation additional accessories are required: AA 413 723 air recirculation module and AD 413 722 oval aluminum flex duct to connect to AR 413 722 recirculation blower.
Inside Installation.

Required installation accessories

AA 413 723

Air recirculation module with 2 activated charcoal filters. Must be installed with AR 413 722 recirculation blower and AD 413 722 oval aluminum flex duct. Installation together with recirculation blower in a 4" high toe-kick.

AD 413 722

Oval aluminum flex duct.
DN 10 15/16". Length: 39 3/8".
Must be used to combine AR 413 722 recirculation blower with AA 413 723 air recirculation module.

Installation accessories

AD 704 048

Transition box with two ø 6" round intakes to one ø 8" round outlet.
Required for installation with AL 400 retractable downdraft to connect 2x round ducts to AR 413 722 blower.

AA 010 410

Air exhaust grill for air recirculation mode.
Stainless steel-colored, 36", including installation fittings, height adjustable.

Optional accessories

Part #17003002 (until 01/12/2024)

Part #11058748 (from 01/12/2024)
2 additional activated charcoal filters with high efficient odor reduction due to large surface. For use with AA 413 723 air recirculation module.

Installation accessories for the air recirculation ducts can be found starting on page 196.

HVI Performance Values (CFM & SONES)

Blower Remote

Exhaust Discharge: horizontal
Speed: Low Speed
Static Pressure (in H2O): 0.03"
HVI Wats: 18
CFM/Watt: 10.77
HVI CFM: 180
Sones (Reportable): NA

Blower Inline

Exhaust Discharge: horizontal
Speed: High Speed
Static Pressure (in H2O): 0.03"
HVI Wats: 88
CFM/Watt: 4.27
HVI CFM: 370
Sones (Reportable): NA

Highlights

- Powerful blower for combination with 400 series AL 400 retractable downdraft and VL 414/VL 200 downdraft.
- Quiet blower with high-efficiency BLDC technology.
- Compact and space-saving installation in a 4-inch high toe-kick.

Output

3 performance output levels and Intensive mode.
Sound power and sound pressure depending on built-in situation.
Power levels depend on the ventilation system.

Features

3 electronically controlled power levels and one intensive mode.
Blower technology with highly efficient, brushless DC motor (BLDC).
Metal housing.
Duct connection pieces on intake side: 1x ø 6" round.
Retaining bracket for ceiling installation or installation on the inner side of a cabinetry is included.

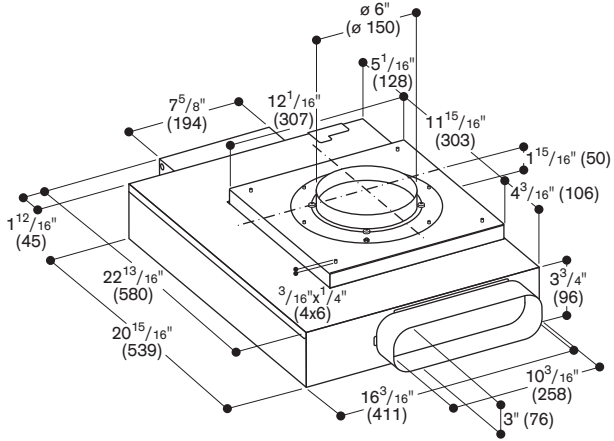
Planning notes

This blower can only be combined with 400 series ventilation systems such as AL 400 retractable downdraft and VL 414/VL 200 downdraft.
Additional accessories for recirculation operation are required:
AA 413 723 air recirculation module with 2 activated charcoal filters and AD413722 oval aluminum flex duct to connect air recirculation module with recirculation blower AR413722.
The AR413722 recirculation must be connected to AA 413 723 air recirculation module via AD413722 oval flex duct. Connection to the respective appliances via network cable. Network cable is included with AR413722 recirculation blower.
Installation in a 4-inch high toe-kick with cut-out on the cabinet base to connect blower to the duct work of respective ventilation appliance.
Transition box AD704048 required to connect 2x ducts coming from AL 400 retractable downdraft with AR413722 recirculation blower.
Odor reduction comparable to air extraction mode (95%).
Filter replacement interval of air recirculation module: 1-1½ years depending on cooking frequency.
Toe-kick must be accessible in order to replace filters.
Recommended minimum gap between filter openings and cabinet wall if there is no ventilation grill directly in front: 6".

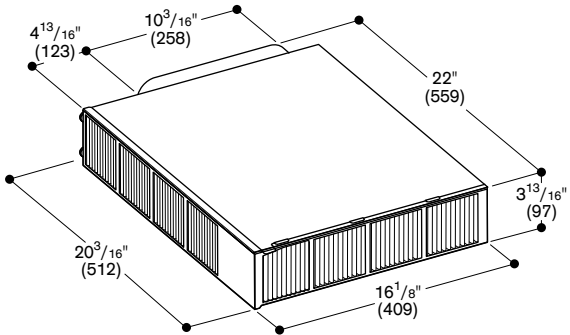
Rating

Total rating: 170 W.
Total amps: 2 A.
120 V / 60 Hz.
Connecting cable 69" with plug.
6.5' network cable included.

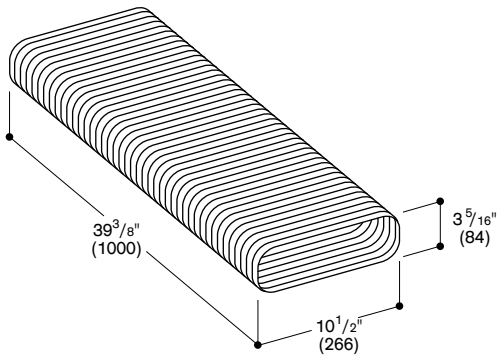
Recirculation blower AR 413 722



Air recirculation module AA 413 723



Aluminum flex duct AD 413 722



Numbers indicated
inside parenthesis () = mm

www.gaggenau.com/us
Revised: March 2025

Gaggenau reserves the absolute and unrestricted right to change product materials and specifications, at any time, without notice. Consult the product's installation instructions for final dimensional data and other details prior to making cutout. Warranties: Please see Use & Care manual or Gaggenau website for statement of limited product warranty. For more information on our entire line of products, go to www.gaggenau.com or call 1-877-442-4436.