

# WUgb 3400

Wine Cabinet



# LIEBHERR

Quality, Design and Innovation

The **WUgb 3400** offers a number of innovative solutions for wine storage. The temperature in each of the two sophisticated temperature zones can be set between 41°F and 68°F, ensuring optimal storage conditions for reds, whites, and champagnes.

The elegant black glass door, featuring TipOpen technology, offers seamless integration into handle-free kitchen cabinetry. This smart wine cabinet can hold up to 34 Bordeaux bottles and when lightly tapped, the glass door partially opens, facilitating further opening. If the door is not fully opened further within three seconds, the door will self-close, safeguarding your precious wines.

Liebherr's design uses recirculated forced air cooling and a permanent fresh air supply via an easily exchangeable activated charcoal filter. Humidity ranges between 50 and 80 percent, permitting wine to breathe as it matures and to keep corks supple. Specially developed, quiet compressors ensure that the **WUgb 3400** produces the lowest vibration possible as fine wines love peace and quiet as much as anyone.



**Wine Cabinet**

|                                       |
|---------------------------------------|
| Sound rating dB(A)**                  |
| Total capacity cu.ft. (l)             |
| Max. No. of Bordeaux bottles (0.75 l) |
| Number of shelves                     |
| Shelves on telescopic rails           |
| Shelf material                        |
| Electronic control                    |
| Temperature range °F (°C)             |
| Temperature zones                     |
| Interior light                        |
| Door alarm                            |
| Safety thermostat                     |
| Activated Charcoal filter             |
| Door type                             |
| SoftSystem                            |
| Door hinges                           |
| Product dimensions (H/W/D) in. (cm)   |
| Cut out dimensions (H/W/D) in. (cm)   |
| Net weight lbs. (kg)                  |
| Voltage V/Hz                          |
|                                       |
|                                       |
|                                       |

**WUgb 3400 Vinidor**

|   |      |          |             |                  |               |
|---|------|----------|-------------|------------------|---------------|
| LED   | Wine | Tip Open | Soft System | Telescopic Rails | ADA Compliant |
| 38  |      |          |             |                  |               |
| 3.3 (94)  |      |          |             |                  |               |
| 34  |      |          |             |                  |               |
| 5   |      |          |             |                  |               |
| 3   |      |          |             |                  |               |
| Beech wood shelves                                      |      |          |             |                  |               |
| LCD temp. display for both wine zones, touch electronic |      |          |             |                  |               |
| +41°F to +68°F (+5°C to +20°C)                          |      |          |             |                  |               |
| 2   |      |          |             |                  |               |
| LED lighting permanently on, dimmable                   |      |          |             |                  |               |
| acoustic  |      |          |             |                  |               |
| yes   |      |          |             |                  |               |
| yes   |      |          |             |                  |               |
| yes   |      |          |             |                  |               |
| black insulated glass door, handle and frame free       |      |          |             |                  |               |
| yes   |      |          |             |                  |               |
| right, reversible                                       |      |          |             |                  |               |
| 32 1/4" / 23 9/16" / 22 11/16" (81.8/59.7/57.5)         |      |          |             |                  |               |
| 32 5/16"-34 5/16" / 23 5/8" / 22 7/8" (82-87/60/58)     |      |          |             |                  |               |
| 99.2 (45.0)   |      |          |             |                  |               |
| 115/60  |      |          |             |                  |               |
|   |      |          |             |                  |               |
|   |      |          |             |                  |               |
|   |      |          |             |                  |               |

\* Estimated energy cost will depend on utility rates and use. Estimated energy cost based on a national average electricity cost of 12 cents per kWh.  
 \*\* Noise output – according to EN 60704-3.



**German Engineering:** Our superior products offer premium quality, cutting edge design, and innovative features that best fit your lifestyle. The use of high quality materials, perfectly detailed finishes, and elite cooling components are combined with the latest production processes, resulting in an outstanding cooling product.



Soft System

**SoftSystem:** Doors close automatically and gently from a minimum opening angle of approx. 30° thanks to our SoftSystem technology, which eliminates slamming even when shelves are fully loaded.



Electronic Control

**Touch Control:** The electronic touch system allows temperatures to be set to the exact desired degree, from 41°F to 68°F. Temperatures are clearly displayed on the LCD display for accurate readings of your desired settings.



LED

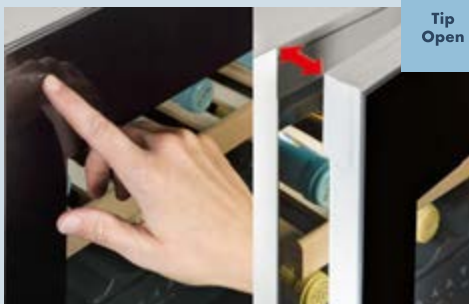
**LED Ceiling Light:** The energy efficient LED ceiling light not only emits virtually no heat for the optimal storage of wines, but is dimmable for a pleasant ambient light within the cabinet, as well as a cool glow for the room.



**Beech Wood Shelving:** Liebherr wine cabinets are fitted with beech wood shelving, mounted on telescopic rails for easy and gentle access to wines. The handmade, untreated wood pullout shelves can hold a variety of bottle types.

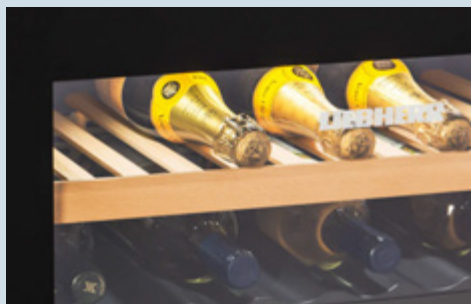


**Activated Charcoal Filter:** Optimum air quality is guaranteed in Liebherr wine cabinets thanks to the easy-to-replace FreshAir activated charcoal filter, which purifies incoming air, while filtering out damaging odors.



Tip Open

**TipOpen technology:** When the door is gently tapped, TipOpen technology partially opens the appliance, facilitating further opening. If the door is not opened fully within three seconds, the door will self-close, ensuring that ideal air humidity is maintained within the cabinet.



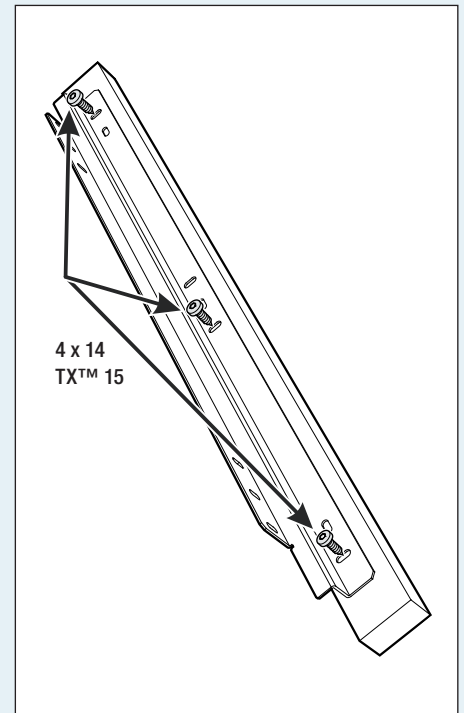
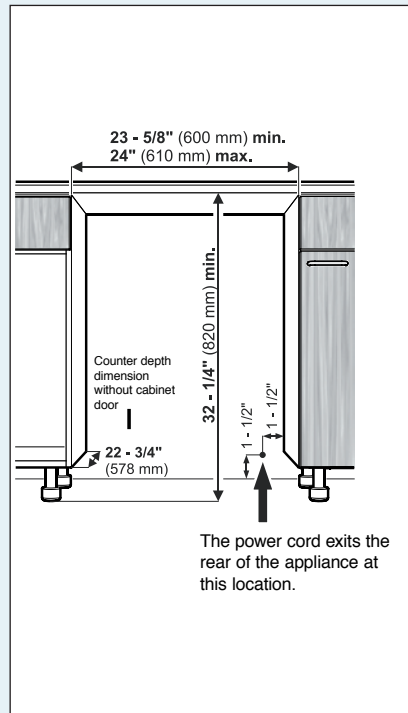
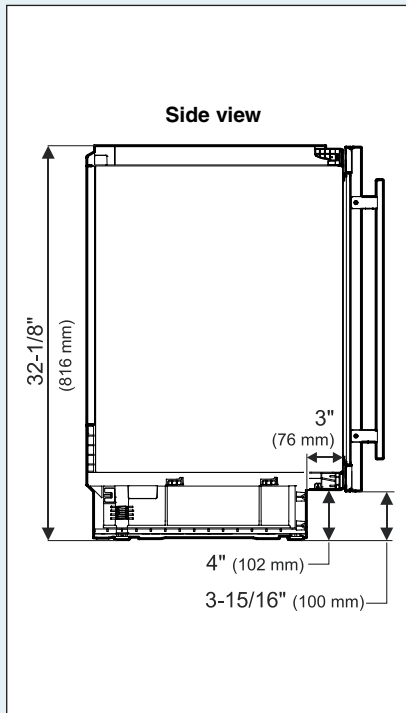
**UV Protection:** In order to minimize the exposure of light which can damage the maturity of a wine, Liebherr wine cabinets are fitted with special UV-resistant insulated glass, simultaneously protecting and presenting your finest wines.



**Alarm:** Liebherr wine cabinets are equipped with a trustworthy alarm system which alerts the owner if the door has been left open, or if there are temperature changes.

Appliance and Cabinet Dimensions

Mounting the panel onto the angle bracket

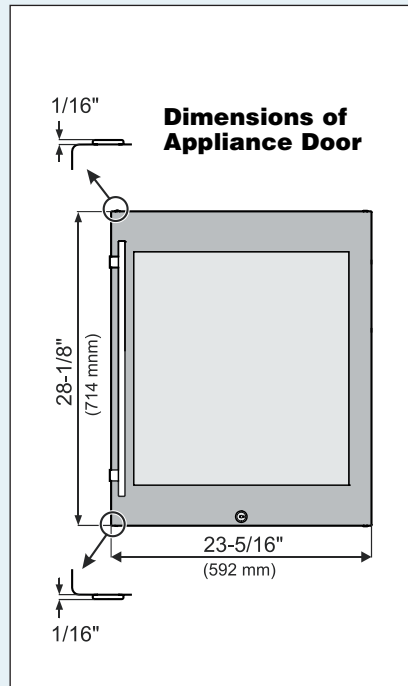
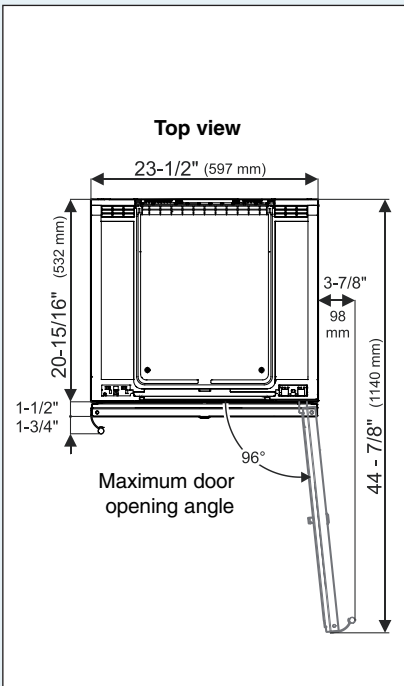


Mount the panel onto the angle bracket using three 4 x 14 screws.

Height when adjustable feet have been screwed in as far as they will go.  
Delivery status = feet approx. 1/8" unscrewed.  
Maximum height adjustment = 2" (51 mm) to allow for a 6" (153 mm) toe kick.

Free length of the power cord = 78 - 3/4 inch (2000 mm)  
**IMPORTANT**  
The electrical outlet must not be situated behind the appliance and must be easily accessible.

Appliance Venting



**IMPORTANT**  
The floor on which the appliance stands must be horizontal and level.  
The kitchen units must be aligned horizontally and vertically.

**The appliance ventilation is in the toe kick. To adjust your wine unit to the counter height, an adjustable toe kick is included. Height can be adjusted from 4 to 6 1/2".**