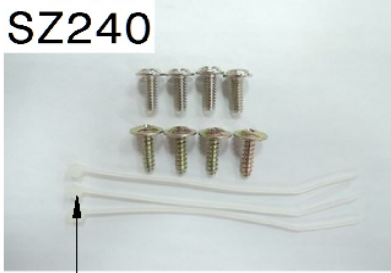
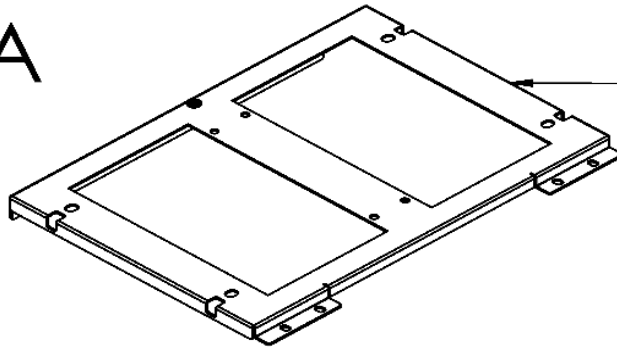


PBD-1300A

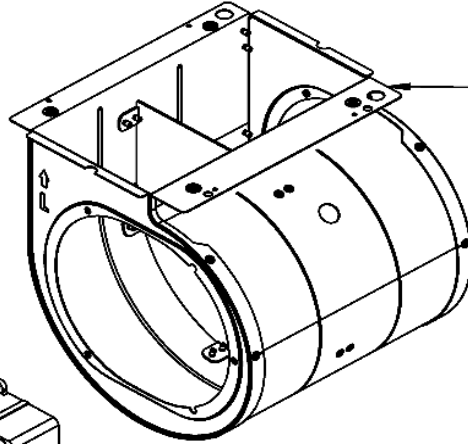
SZ240



9

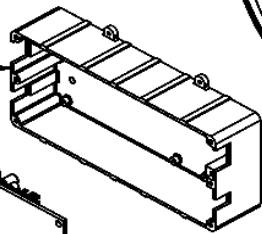


1

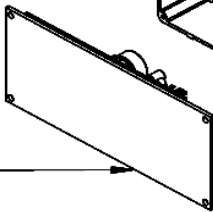


2

4



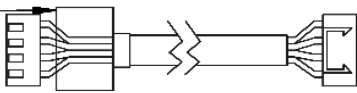
5



6



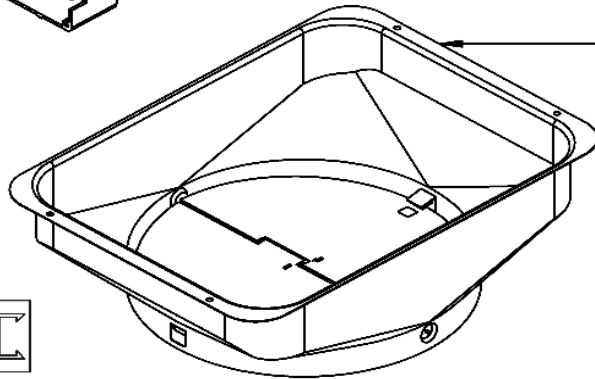
7



8



3



ZEPHYR

PBD-1300A

Ref #	Part #	Description	Qty.
1	54190051	Plate, Dual Blower	1
2	12120086	Blower	1
3	54050081	10" Round Duct Adaptor	1
4	56200051	Component Box	1
5	11010097	Control Board	1
6	11030127	Wiring, Blower to PCB	1
7	11030128	Wiring, PCB1 to PCB2	1
8	11030129	Wiring, Power Lead	1
9	05000132	Hardware Packet	1

NOV18.0101