

DA 6698 W Puristic Edition 6000

Wall ventilation hood

with energy-efficient LED lighting and touch controls for simple operation.



- Family design – based on Miele built-in appliances
- Unique user convenience – Con@ctivity
- Powerful – ?? on the booster setting
- Energy-efficient and quiet
- Energy-efficient and quiet

EAN: 4002516024620 / Material number: 10877010 / Old Material Number: 28669850USA

Construction type	
Wall ventilation hood	•
Operating modes	
Recirculated mode	Convertible
Recirculation conversion kit (order separately)	DUW 20
OdorFree charcoal filter (order separately)	DKF12-1
Design	
Color	Stainless steel
Variable height available as special order	•
Control panel	
Miele@home	•
Electronic controls	•
Touch controls	•
Power levels (number excl. Intensive)	3
Programmable Intensive switch-off	•
Grease filter saturation indicator	•
Programmable grease filter saturation indicator	•
Programmable charcoal filter saturation indicator	•
Acoustic package	•
User convenience	
Run-on time 5/15 min.	•
Cleaning convenience	
Easy-to-clean canopy interior – CleanCover	•
Filter system	
Number of dishwasher safe stainless-steel grease filters (10-ply)	3
Lighting	
LED ClearView lighting	•
Number x W	3 x 3 W
Light intensity in Lx	670 lx
Color temperature in K	3500 Kelvin
Light dimmer function	•
Blower	
Dual-action blower	•
AC motor	•
Extraction	
Air throughput	Values upon request
Safety	
Safety shut-off	•
Single-ply safety glass (ESG)	•
Technical data	
Canopy width in in.(mm)	35 3/8 (898)
Overall min. height for vented and external in in. (mm)	28 (710)
Overall max. height for vented and external in in. (mm)	40 5/8 (1030)
Canopy height in in.(mm)	3 3/8 (85)
Overall min. height for recirculation in in. (mm)	33 1/8 (840)
Canopy depth in in.(mm)	19 3/4 (500)
Overall max. height for recirculation in in. (mm)	45 3/4 (1160)
Minimum height above electric hobs in mm	24 1/8 (610)

DA 6698 W Puristic Edition 6000

Wall ventilation hood

with energy-efficient LED lighting and touch controls for simple operation.



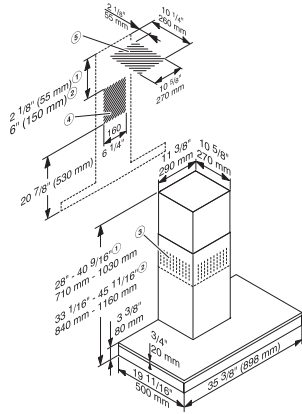
EAN: 4002516024620 / Material number: 10877010 / Old Material Number: 28669850USA

Minimum height above gas hobs (max. 12.6 kW total power, burner \leq 4.5 kW) in mm	26 (660)
Net weight in lbs. (kg)	58 (26.0)
Length of electrical wire in ft (m)	2 (0.8)
Standard plug fitted	•
Total connected load in kW	0.35
Fuse rating in A	15
Voltage in V	120
Frequency in Hz	60
Number of phases	1
Installation notes	
Vent connection at top	•
Vent connection at top and rear	•
Diameter of vent connection in in. (mm)	6 (150)
Telescopic chimney	•
Accessories supplied	
Reducer from 150 to 125 mm \varnothing	•
Communication module for Con@ctivity XKM 2000 DA	XKS 3000 Z
Optional accessories	
OdorFree charcoal filter	DKF 12-900

DA 6698 W Puristic Edition 6000

Wall ventilation hood

with energy-efficient LED lighting and touch controls for simple operation.



DA 6698 W, CLST (Installation drawing) – USA

1. Extraction, 2. Recirculation, 3 Ventilation grilles at the top for recirculation, 4. + 5. Vent cut-out positions (Area 5 not required for recirculation)