

H 7840 BM AM

24" compact speed oven

in a perfectly combinable design with automatic programs and roast probe.



- Large touch display with proximity sensor – M Touch + MotionReact
- Easy cleaning – cavity with linen-weave pattern & PerfectClean
- Faster and more consistent results – Quick & Gentle
- Network-enabled WiFi appliance – Miele@home
- Popcorn in a flash with the popcorn function

EAN: 4002516484370 / Material number: 11804650 / Old Material Number: 22784036USA

Construction type and design	
Built-in wall speed oven	•
VitroLine	•
Appliance color	Graphite grey
Convenience features	
Quick & Gentle	•
Rapid PreHeat	•
Roast probe	With cable
Keep-warm function	•
Crisp function	•
Operating modes	
Auto roast	•
Defrost	•
MasterChef automatic programs	•
Microwave	•
Gentle Bake	•
Combi Bake	•
Combi Broil	•
Bake	•
Broiling operating modes	•
Maxi Broil	•
Intensive Bake	•
Slow roast	•
Combi Auto Roast	•
Micro Broil	•
Surround	•
Convection Roast	•
Special modes	•
Control panel	
Date display	•
Minute minder	•
Default temperatures	•
Minute Plus button	•
User convenience	
Networking with Miele@home	•
Control panel	M Touch
MotionReact: Light comes on when movement is detected	•
MotionReact: Display comes on when movement is detected	•
MotionReact: Audible signal to acknowledge when movement is detected	•
MotionReact: Detection of cabinet fronts	•
SoftOpen	•
SoftClose	•
MultiLingua	•
MyMiele	•
Show me how	•
Popcorn function	•
Polyphonic acoustic signals	•
Timers	•

H 7840 BM AM

24" compact speed oven

in a perfectly combinable design with automatic programs and roast probe.



EAN: 4002516484370 / Material number: 11804650 / Old Material Number: 22784036USA

Time of day display	•
Time synchronization	•
Programming start of cooking duration	•
Programming end of cooking duration	•
Programmable cooking time	•
Actual temperature display	•
Audible signal when desired temperature is reached	•
Recommended microwave power	•
Favorites	•
Sabbath program	•
Individual settings	•
Efficiency and sustainability	
Residual heat utilization	•
Cleaning convenience	
Stainless-steel cavity with linen surface structure	•
Foldable broil heater element	•
CleanGlass door	•
Safety	
Appliance cooling system with cool touch front	•
Safety cut-out	•
System lock	•
Sensor lock	•
Technical data	
Cavity volume in cu.ft (l)	1.52 (43)
No. of rack levels	3
Number of shelf levels oven compartment 1	3
Number of shelf levels oven compartment 2	3
Oven interior lighting	1 LED spot
Power Rating in V	120
Number of phases	1
Electronically controlled microwave power	•
Microwave power levels	1 - 7
Niche width min. in inches (mm)	22 1/8 (560)
Niche width max. in inches (mm)	22 3/8 (568)
Niche height min. in inches (mm)	17 3/4 (450)
Niche height max. in inches (mm)	17 7/8 (452)
Niche depth in in. (mm)	21 3/4 (550)
Appliance width in in. (mm)	23 1/2 (595)
Appliance height in in. (mm)	18 (456)
Appliance depth in in. (mm)	22 5/8 (573)
Weight in lbs. (kg)	95.9 (43.5)
Total connected load in kW	3.20
Frequency in Hz	60
Fuse rating in A	30
Connection wire with plug	•
Length of power cord in in. (m)	1.80
Accessories supplied	
PerfectClean baking and roasting rack	1
Glass tray	2

H 7840 BM AM

24" compact speed oven

in a perfectly combinable design with automatic programs and roast probe.



EAN: 4002516484370 / Material number: 11804650 / Old Material Number: 22784036USA

Available display languages

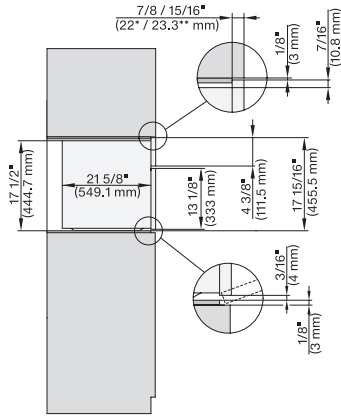
Available display languages via MultiLingua

bahasa malaysia, dansk,
deutsch, english, español,
français, hrvatski, italiano,
magyar, nederlands,
norsk, polski, portugês,
русский, română,
slovenčina, slovenščina,
srpski, suomi, svenska,
türkçe, українська, čeština,
ελληνικά, , , , ,

H 7840 BM AM

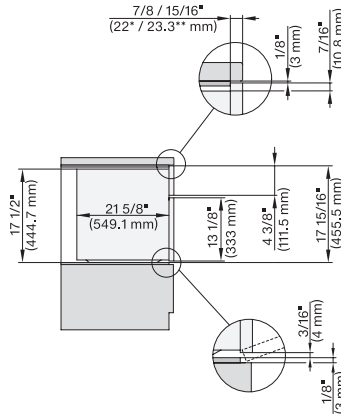
24" compact speed oven

in a perfectly combinable design with automatic programs and roast probe.



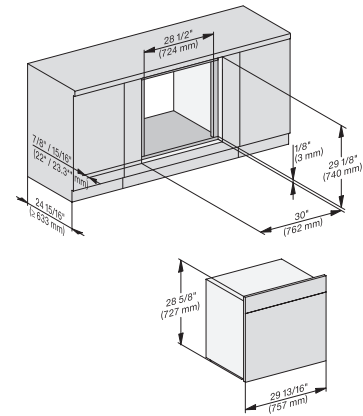
(DG 6x00 + H 6x00 BM) + EBA 6808, H 7xxx (EBA 7848) side view, installation drawing, Flush inset, NA

7/8" – 22" mm – Glas, 15/16" – 23.3" mm – Edelstahl



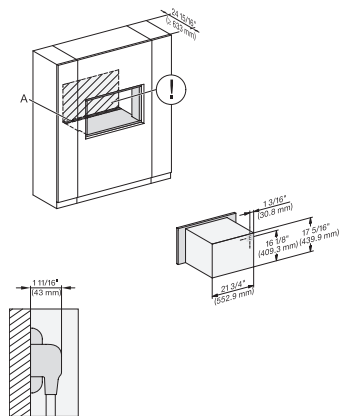
(DG 6x00 + H 6x00 BM) + EBA 6808, H 7xxx (EBA 7848) side view built-under, installation drawing, Flush inset, NA

7/8" – 22" mm – Glas, 15/16" – 23.3" mm – Edelstahl



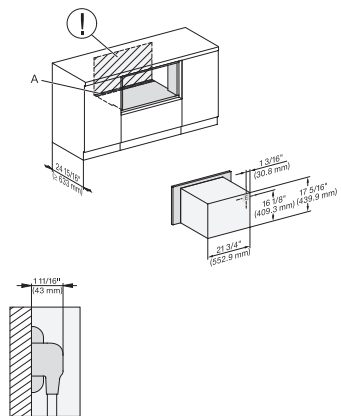
H 6x8x BP, H 6x80-2BP, H7xxx, H 2x80 fitting wide front built-under, installation drawing, Flush inset, NA

7/8" – 22" mm – Glas, 15/16" – 23.3" mm – Edelstahl



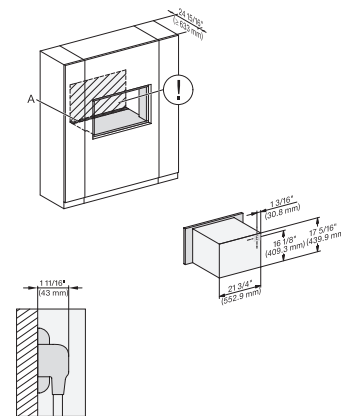
H 6x00 BM + EBA 6808, H7x40BM+EBA7848 installation, installation drawing, Flush inset, NA

A – Cut-out (4" x 28" / 100 mm x 720 mm) in the bottom of the cabinet for power cord and ventilation. – Electrical and water supplies are recommended to be placed in adjacent cabinetry. Additional cabinet depth is required when placing the electrical and water supplies behind the appliance. E = Electric connection



H 6x00 BM + EBA 6808, H7x40BM(+EBA7848), installation built-under, installation drawing, Flush inset, NA

A – Cut-out (4" x 28" / 100 mm x 720 mm) in the bottom of the cabinet for power cord and ventilation. – Electrical and water supplies are recommended to be placed in adjacent cabinetry. Additional cabinet depth is required when placing the electrical and water supplies behind the appliance. E = Electric connection,



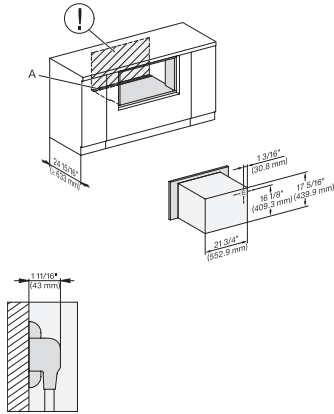
H 6x00 BM + EBA 6808, H7xx0BM(+EBA7848), wide front installation, installation drawing, Flush inset, NA

A – Cut-out (4" x 28" / 100 mm x 720 mm) in the bottom of the cabinet for power cord and ventilation. – Electrical and water supplies are recommended to be placed in adjacent cabinetry. Additional cabinet depth is required when placing the electrical and water supplies behind the appliance. E = Electric connection

H 7840 BM AM

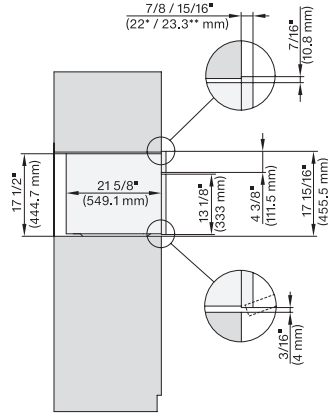
24" compact speed oven

in a perfectly combinable design with automatic programs and roast probe.



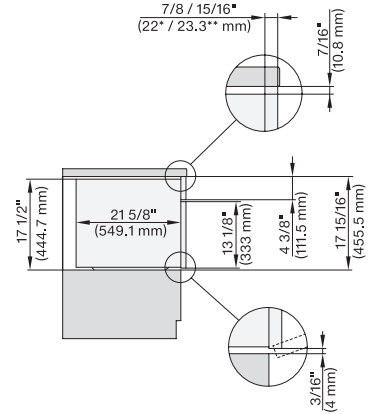
H 6x00/7x40 BM + EBA 6808/7848, installation of built-under with wide front, installation drawing, Flush inset, NA

A – Cut-out (4" x 28" / 100 mm x 720 mm) in the bottom of the cabinet for power cord and ventilation. – Electrical and water supplies are recommended to be placed in adjacent cabinetry. Additional cabinet depth is required when placing the electrical and water supplies behind the appliance. E = Electric connection.



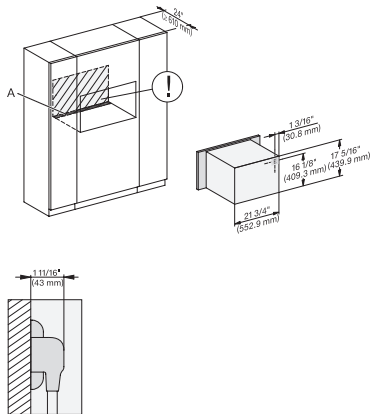
(DG 6x00 + H 6x00 BM) + EBA 6808, H7x4xBM (+EBA7848) side view, installation drawing, Proud, NA

7/8" – 22" mm – Glas, 15/16" – 23.3" mm – Edelstahl



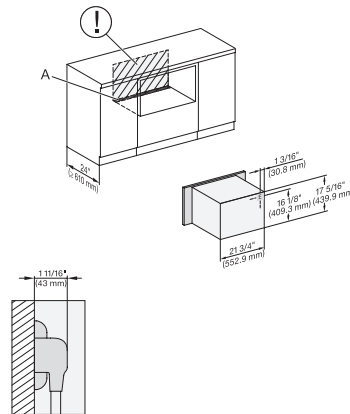
(DG 6x00 + H 6x00 BM) + EBA 6808, H7x40BM (+EBA7848) side view built-under, installation drawing, Proud, NA

7/8" – 22" mm – Glas, 15/16" – 23.3" mm – Edelstahl



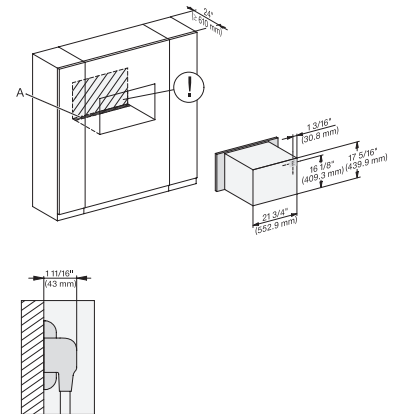
H 6x00 BM + EBA 6808, H7x40BM(EBA6808) installation, installation drawing, Proud, NA

A – Cut-out (4" x 28" / 100 mm x 720 mm) in the bottom of the cabinet for power cord and ventilation. – Electrical and water supplies are recommended to be placed in adjacent cabinetry. Additional cabinet depth is required when placing the electrical and water supplies behind the appliance. E = Electric connection



H 6x00 BM + EBA 6808, H7x40(+EBA7848), installation built-under, installation drawing, Proud, NA

A – Cut-out (4" x 28" / 100 mm x 720 mm) in the bottom of the cabinet for power cord and ventilation. – Electrical and water supplies are recommended to be placed in adjacent cabinetry. Additional cabinet depth is required when placing the electrical and water supplies behind the appliance. E = Electric connection.



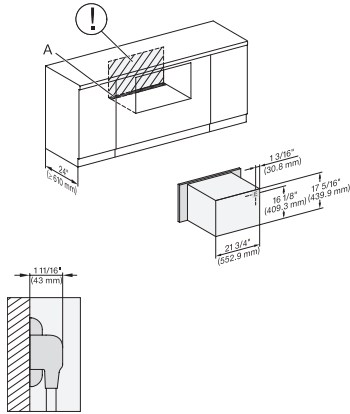
H 6x00 BM + EBA 6808, H7x00BM(+EBA7848) wide front installation, installation drawing, Proud, NA

A – Cut-out (4" x 28" / 100 mm x 720 mm) in the bottom of the cabinet for power cord and ventilation. – Electrical and water supplies are recommended to be placed in adjacent cabinetry. Additional cabinet depth is required when placing the electrical and water supplies behind the appliance. E = Electric connection

H 7840 BM AM

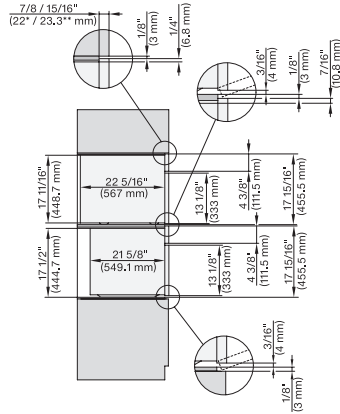
24" compact speed oven

in a perfectly combinable design with automatic programs and roast probe.



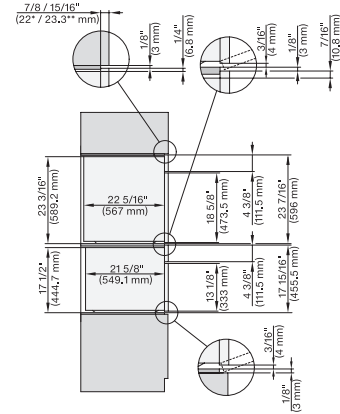
H 6x00 BM + EBA 6808, H7x40BM+EBA7848, installation of built-under with wide front, installation drawing, Proud, NA

A – Cut-out (4" x 28" / 100 mm x 720 mm) in the bottom of the cabinet for power cord and ventilation. – Electrical and water supplies are recommended to be placed in adjacent cabinetry., Additional cabinet depth is required when placing the electrical and water supplies behind the appliance., E = Electric connection,



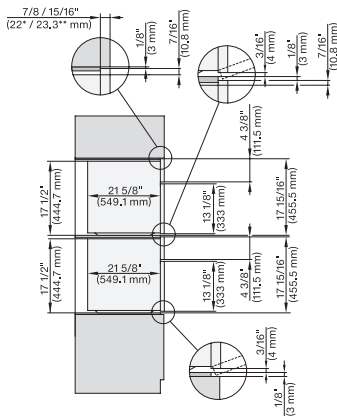
DGC 6x00-1 + EBA 6808, H 6x00 BM + EBA 6808, DGC7xxx, H7xxx, EBA7848 Combi, Installation drawing, Flush inset, NA

7/8" – 22* mm – Glas, 15/16" – 23.3** mm – Edelstahl



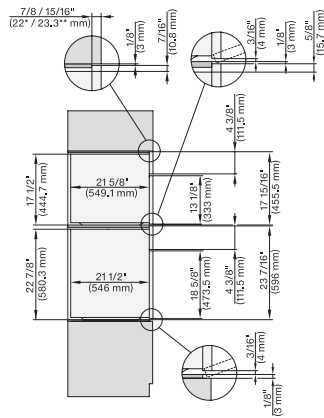
DGC 6x6x (AM)+EBA 6808, H 6x00+EBA 6808, DGC 786x, EBA78x8, H7xxx Combi, Install. drawing, Flush inset, NA

7/8" – 22* mm – Glas, 15/16" – 23.3** mm – Edelstahl



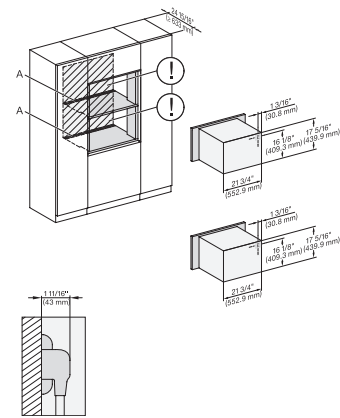
H 6x00 BM + EBA 6808, H7xxx, EBA7848 Combi, Installation drawing, Flush inset, NA

7/8" – 22* mm – Glas, 15/16" – 23.3** mm – Edelstahl



H 6560 B + EBA 6808, H 6x60 BP + EBA 6808, H 6x00 BM + EBA 6808, H7xxx, EBA 78x8 Combi, Install drawing, Flush inset, NA

7/8" – 22* mm – Glas, 15/16" – 23.3** mm – Edelstahl



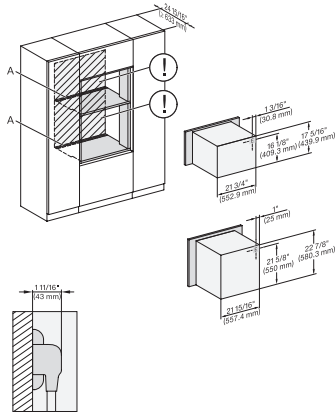
H 6x00 BM + EBA 6808, H 7x40BM, EBA 7848 Installation Combi, Installation drawing, Flush inset, NA

A – Cut-out (4" x 28" / 100 mm x 720 mm) in the bottom of the cabinet for power cord and ventilation. – Electrical and water supplies are recommended to be placed in adjacent cabinetry., Additional cabinet depth is required when placing the electrical and water supplies behind the appliance., E = Electric connection

H 7840 BM AM

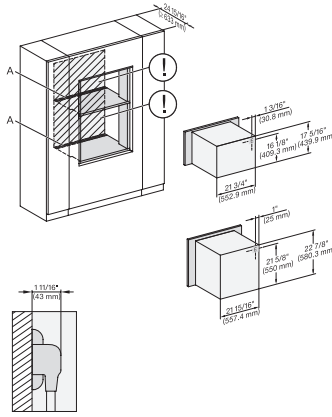
24" compact speed oven

in a perfectly combinable design with automatic programs and roast probe.



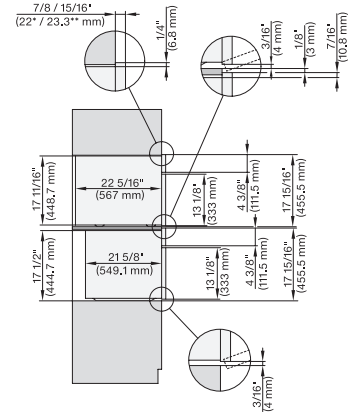
H 6560 B + EBA 6808, H 6x60 BP + EBA 6808, H 6x00 BM, H 7xxx, EBA 78x8, Installation drawing, Flush inset, NA

A – Cut-out (4" x 28" / 100 mm x 720 mm) in the bottom of the cabinet for power cord and ventilation. – Electrical and water supplies are recommended to be placed in adjacent cabinetry. Additional cabinet depth is required when placing the electrical and water supplies behind the appliance. E = Electric connection



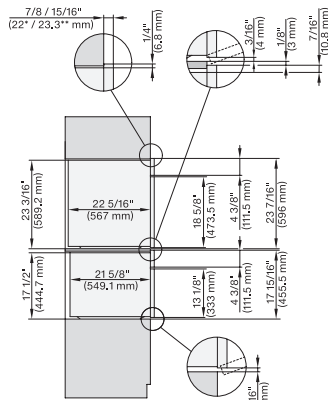
H 6560 B + EBA 6808, H 6x60 BP, H 6x00 BM, H 7xxx BM/BP, EBA 78x8, Installation drawing, Flush inset, NA

A – Cut-out (4" x 28" / 100 mm x 720 mm) in the bottom of the cabinet for power cord and ventilation. – Electrical and water supplies are recommended to be placed in adjacent cabinetry. Additional cabinet depth is required when placing the electrical and water supplies behind the appliance. E = Electric connection



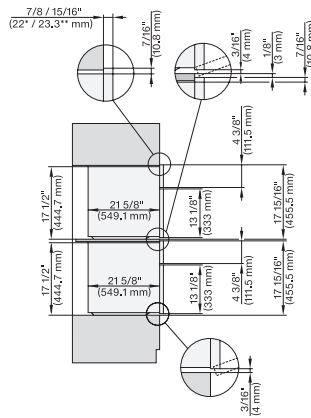
DGC 6x00-1 + EBA6808, H 6x00 BM+EBA 6808, DGC7x4x(+EBA7848), H7x40BM(+EBA7848), Combi, Installation drawing, Proud, NA

7/8" – 22" mm – Glas, 15/16" – 23.3" mm – Edelstahl



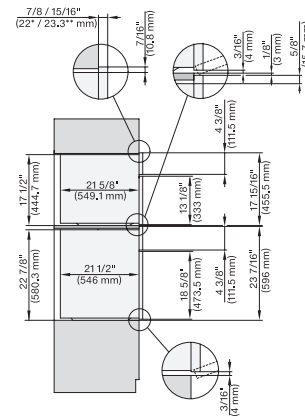
DGC6x6x(AM) + EBA6808, H6x00+EBA6808, DGC786x+EBA7868, H7x40BM+EBA7848, Combi, Installation drawing, Proud, Flush inset, NA

7/8" – 22" mm – Glas, 15/16" – 23.3" mm – Edelstahl



H 6x00 BM + EBA 6808, H7x40BM(+EBA7848), Combi, Installation drawing, Proud, NA

7/8" – 22" mm – Glas, 15/16" – 23.3" mm – Edelstahl



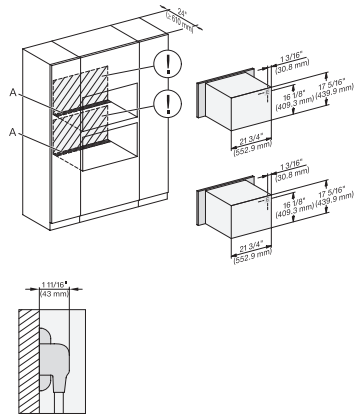
H 6560 B + EBA 6808, H 6x60 BP + EBA 6808, H 6x00 BM + EBA 6808, H7xxx+EBA7x7x, Combi, Installation drawing, Proud, NA

7/8" – 22" mm – Glas, 15/16" – 23.3" mm – Edelstahl

H 7840 BM AM

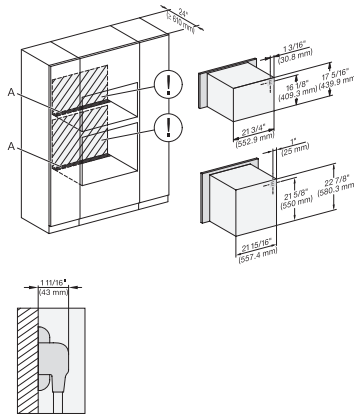
24" compact speed oven

in a perfectly combinable design with automatic programs and roast probe.



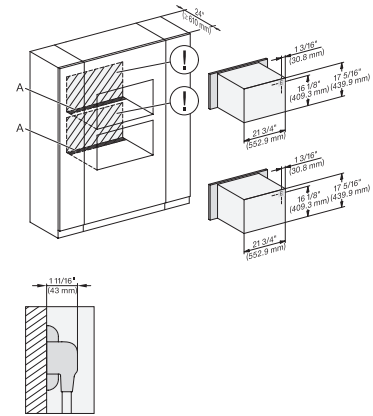
H 6x00 BM + EBA 6808, H7x40BM(+EBA7848), NA7000 Installation Combi, Installation drawing, Proud, NA

A – Cut-out (4" x 28" / 100 mm x 720 mm) in the bottom of the cabinet for power cord and ventilation. – Electrical and water supplies are recommended to be placed in adjacent cabinetry. Additional cabinet depth is required when placing the electrical and water supplies behind the appliance. E = Electric connection



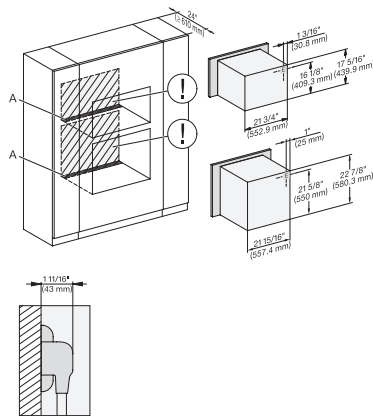
H 6560 B + EBA 6808, H 6x60 BP + EBA6808, H6x00BM + EBA6808, NA7000 Installation Combi, Installation drawing, Proud, NA

A – Cut-out (4" x 28" / 100 mm x 720 mm) in the bottom of the cabinet for power cord and ventilation. – Electrical and water supplies are recommended to be placed in adjacent cabinetry. Additional cabinet depth is required when placing the electrical and water supplies behind the appliance. E = Electric connection



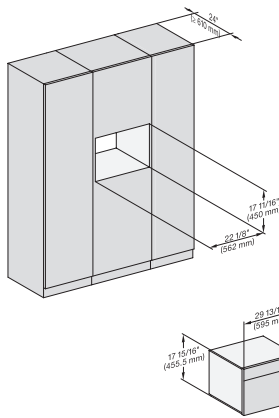
H 6x00 BM + EBA 6808, H7x40BM (+EBA7848), Installation Combi wide front, Installation drawing, Proud, NA

A – Cut-out (4" x 28" / 100 mm x 720 mm) in the bottom of the cabinet for power cord and ventilation. – Electrical and water supplies are recommended to be placed in adjacent cabinetry. Additional cabinet depth is required when placing the electrical and water supplies behind the appliance. E = Electric connection

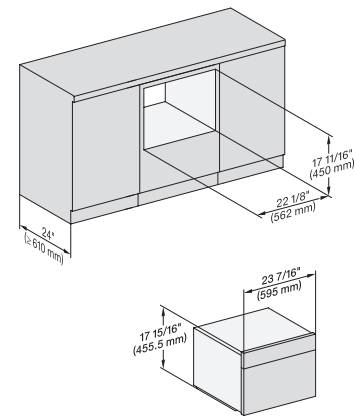


(H6560B, H6x60BP, H6x00BM) + EBA6808, NA7000 Installation Combi wide front, Installation drawing, Proud, NA

A – Cut-out (4" x 28" / 100 mm x 720 mm) in the bottom of the cabinet for power cord and ventilation. – Electrical and water supplies are recommended to be placed in adjacent cabinetry. Additional cabinet depth is required when placing the electrical and water supplies behind the appliance. E = Electric connection



DGC7x4x, H7x40BM, Einabu, 30 Zoll, Proud, 450S

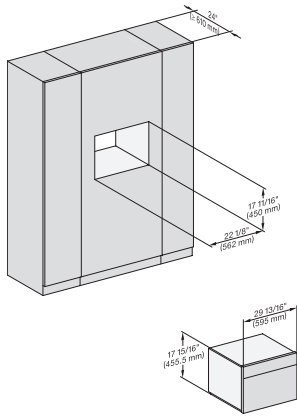


H7x4xBM, Einbau, 30 Zoll, Proud, built-under, 450S

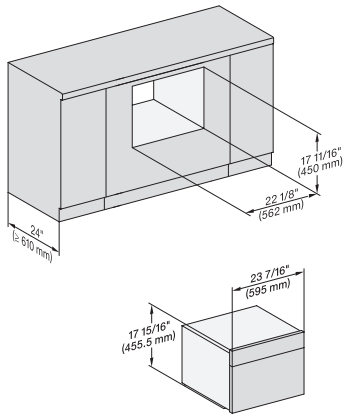
H 7840 BM AM

24" compact speed oven

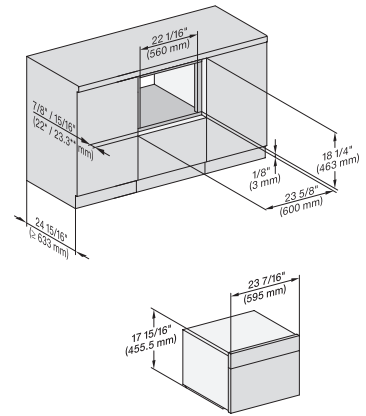
in a perfectly combinable design with automatic programs and roast probe.



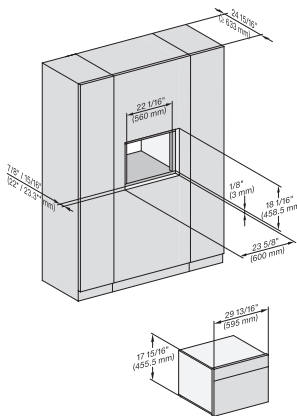
DGCx4x, H7x40BM. Einbau, 30 Zoll, Proud, wide front, 450S



H7x40BM, Einbau, 30 Zoll, Proud, built-under, wide front, 450S

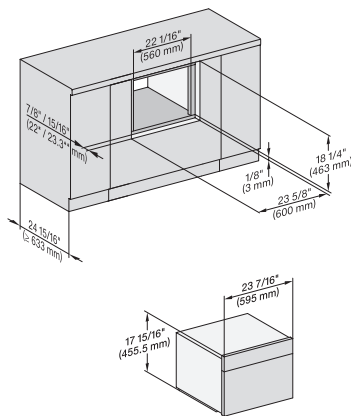


H7x40BM, Einbau, 30 Zoll, Flush inset, built-under, 450S
7/8" - 22* mm - Glass, 15/16" - 23.3** mm - Stainless steel



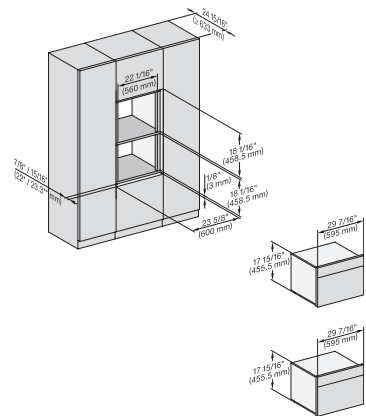
DGC7x4x, H7x40BM, Einbau, 30 Zoll, Flush inset, wide front, 450S

7/8" - 22* mm - Glass, 15/16" - 23.3** mm - Stainless steel



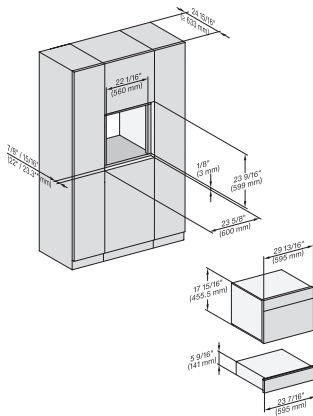
H7x4xBM, Einbau, 30 Zoll, Flush inset., built-under, wide front, 450S

7/8" - 22* mm - Glass, 15/16" - 23.3** mm - Stainless steel



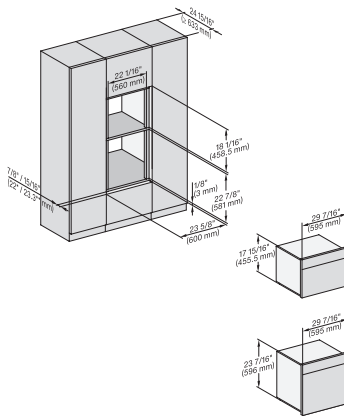
DGC7x4x, H7x40BM, Einbau, 30 Zoll, Flush inset, combi 450S

7/8" - 22* mm - Glass, 15/16" - 23.3** mm - Stainless steel



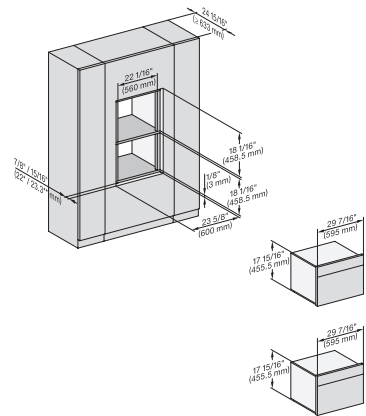
DGC7x40, DGC7485, H7x40BM, ESW7x10, EVS7010, Einbau 30 Zoll, Flush inset, combi, 450S

7/8" - 22* mm - Glass, 15/16" - 23.3** mm - Stainless steel



DGC7x4x, H7x40BM, H7x6xBP, Einbau, 30 Zoll Flush inset, combi, 650S, 450S

7/8" - 22* mm - Glass, 15/16" - 23.3** mm - Stainless steel



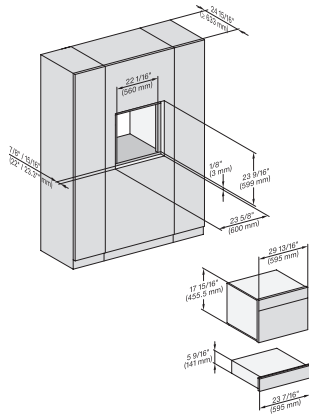
DGC7x4x, DGC7485, H7x40BM, Einbau, 30 Zoll, Flush inset, combi, wide front, 450S

7/8" - 22* mm - Glass, 15/16" - 23.3** mm - Stainless steel

H 7840 BM AM

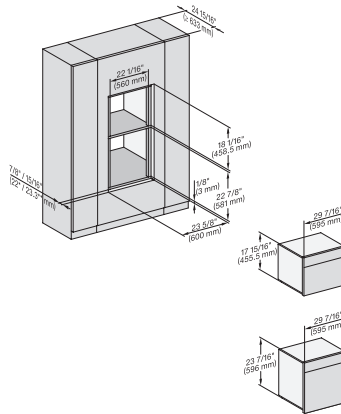
24" compact speed oven

in a perfectly combinable design with automatic programs and roast probe.



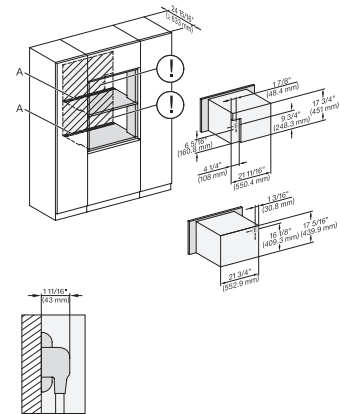
DGC7xxx, H7x40BM, ESW7x10, EVS7010, Einbau, 30 Zoll, Flush inset, combi, wide front, 450S

7/8" – 22" mm – Glass, 15/16" – 23.3" mm – Stainless steel



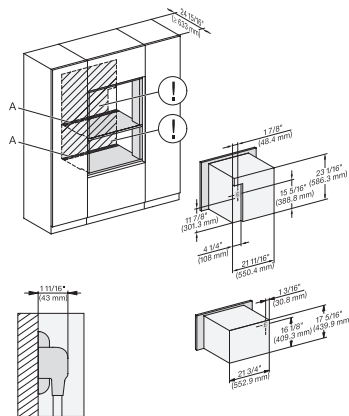
DGC7xxx, H7x40BM, H7x6xBP, Einbau, 30 Zoll, Flush inset, combi, wide front, 650S, 450S

7/8" – 22" mm – Glass, 15/16" – 23.3" mm – Stainless steel



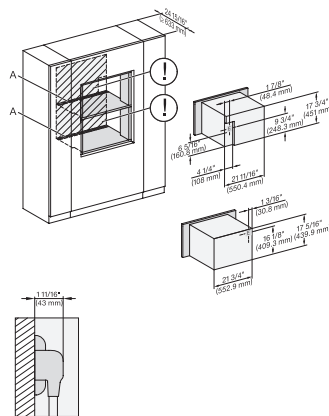
DGC7xxx+EBA7848, H7x40BM (+EBA7848), Installation, 30 Zoll, Flushinset, combi, XL, 450S

A – Cut-out (4" x 28" / 100 mm x 720 mm) in the bottom of the cabinet for power cord and ventilation. – Electrical and water supplies are recommended to be placed in adjacent cabinetry. Additional cabinet depth is required when placing the electrical and water supplies behind the appliance. E = Electric connection



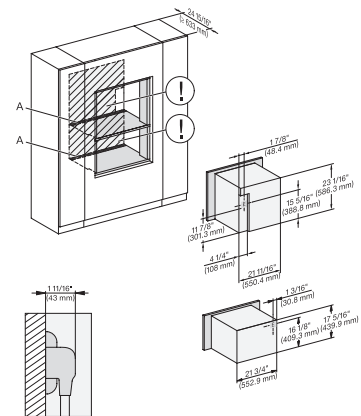
DGC786x(+EBA7848), H7x40BM(+EBA7848), Installation, 30 Zoll, Flush inset, combi, XXL, 450S

A – Cut-out (4" x 28" / 100 mm x 720 mm) in the bottom of the cabinet for power cord and ventilation. – Electrical and water supplies are recommended to be placed in adjacent cabinetry. Additional cabinet depth is required when placing the electrical and water supplies behind the appliance. E = Electric connection



DGC7x40(+EBA7848), H7x40BM(+EBA7848), H7840+EBA6808, Installation, 30 Zoll, flush inset, combi, wide front, XL, 450S

A – Cut-out (4" x 28" / 100 mm x 720 mm) in the bottom of the cabinet for power cord and ventilation. – Electrical and water supplies are recommended to be placed in adjacent cabinetry. Additional cabinet depth is required when placing the electrical and water supplies behind the appliance. E = Electric connection



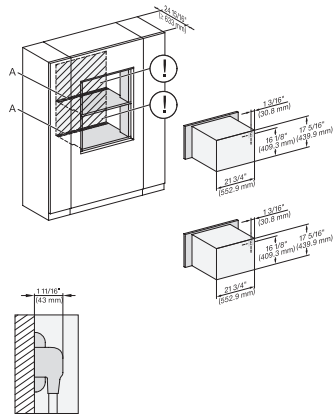
DGC786x+EBA7868, H7x40BM(+EBA7848), Installation, 30 Zoll, Flush inset, combi, wide front, XXL, 450S

A – Cut-out (4" x 28" / 100 mm x 720 mm) in the bottom of the cabinet for power cord and ventilation. – Electrical and water supplies are recommended to be placed in adjacent cabinetry. Additional cabinet depth is required when placing the electrical and water supplies behind the appliance. E = Electric connection

H 7840 BM AM

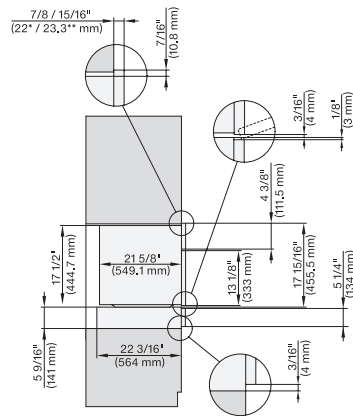
24" compact speed oven

in a perfectly combinable design with automatic programs and roast probe.



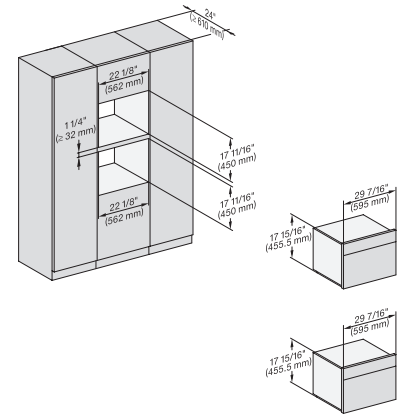
H7x40BM (+EBA7848), Installation, 30 Zoll, Flush inset, combi, wide front, 450S

A – Cut-out (4" x 28" / 100 mm x 720 mm) in the bottom of the cabinet for power cord and ventilation. – Electrical and water supplies are recommended to be placed in adjacent cabinetry., Additional cabinet depth is required when placing the electrical and water supplies behind the appliance., E = Electric connection



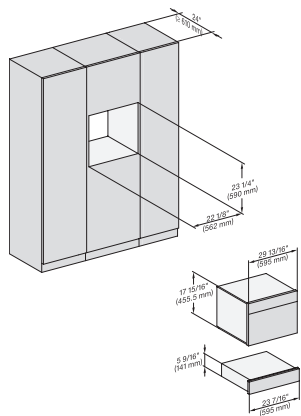
H7x40BM+EBA7848, ESW7x10, EVS7010, side view, 30 Zoll, Proud, combi, 450S

7/8" – 22" mm – Glass, 15/16" – 23.3** mm – Stainless steel



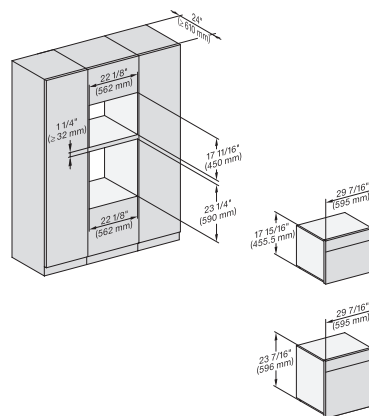
DDGC7xxx, H7x40BM, Einbau, 30 Zoll, Proud, combi, 450S

7/8" – 22" mm – Glass, 15/16" – 23.3** mm – Stainless steel



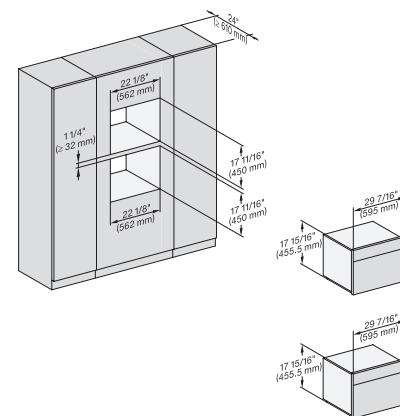
DGC7xxx, H7x40BM, ESW7x10, EVS, Einbau, 30 Zoll, Proud, combi, 450S

7/8" – 22" mm – Glass, 15/16" – 23.3** mm – Stainless steel



DGC7xxx, H7x4x4BM, H7x6x4BP, Einbau, 30 Zoll, Proud, combi, 650S, 450S

7/8" – 22" mm – Glass, 15/16" – 23.3** mm – Stainless steel

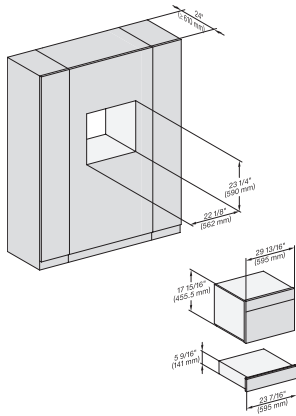


DGC7x4x, H7x40BM, Einbau, 30 Zoll, Proud, combi, wide front, 450S

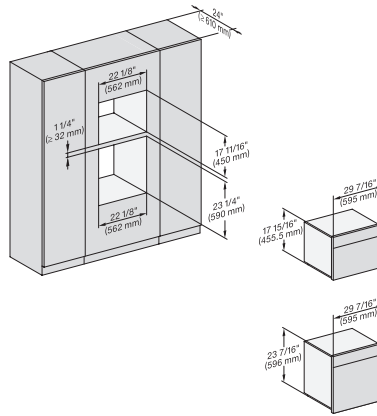
H 7840 BM AM

24" compact speed oven

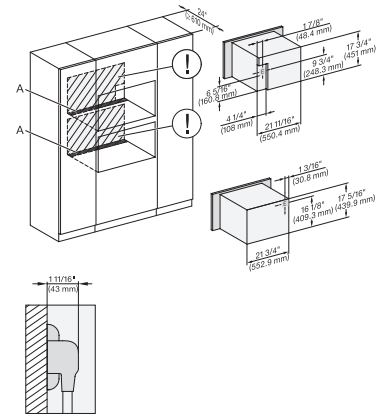
in a perfectly combinable design with automatic programs and roast probe.



DGC7x4x, H7x40BM, ESW7x10, EVS7010, Einbau, 30 Zoll, Proud, combi, wide front, 450S

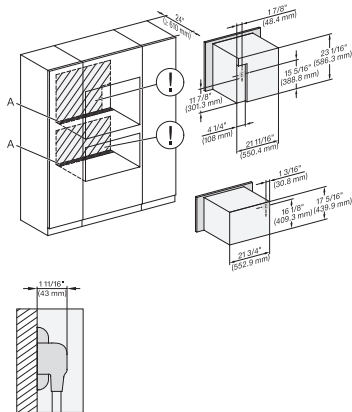


DGC7x4x, H7x40Bm, H7x6xBP, Einbau, 30 Zoll, Proud, combi, wide front, 650S, 450S



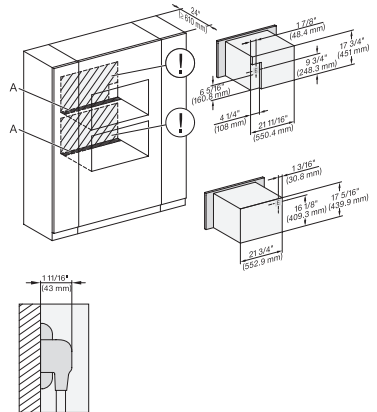
DGC7x4x(+EBA7848), H7x40BM(+EBA7848), Installation, 30 Zoll, Proud, combi, XL, 450S

A – Cut-out (4" x 28" / 100 mm x 720 mm) in the bottom of the cabinet for power cord and ventilation. – Electrical and water supplies are recommended to be placed in adjacent cabinetry. Additional cabinet depth is required when placing the electrical and water supplies behind the appliance. E = Electric connection



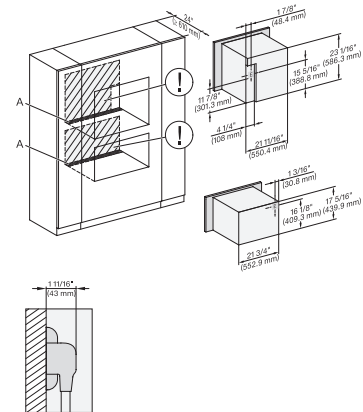
DGC786x(+EBA7848), H7x40BM(+EBA7848), Installation, 30 Zoll, Proud, combi, XXL, 450S

A – Cut-out (4" x 28" / 100 mm x 720 mm) in the bottom of the cabinet for power cord and ventilation. – Electrical and water supplies are recommended to be placed in adjacent cabinetry. Additional cabinet depth is required when placing the electrical and water supplies behind the appliance. E = Electric connection



DGC7x4x(+EBA7848), H7x40BM(+EBA7848), Installation, 30 Zoll, Proud, combi, wide front XL, 450S

A – Cut-out (4" x 28" / 100 mm x 720 mm) in the bottom of the cabinet for power cord and ventilation. – Electrical and water supplies are recommended to be placed in adjacent cabinetry. Additional cabinet depth is required when placing the electrical and water supplies behind the appliance. E = Electric connection



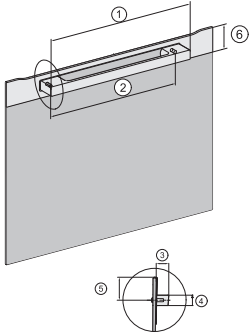
DGC786x(+EBA7848), H7x40BM(+EBA7848), Installation, 30 Zoll, Proud, combi, wide front, XXL, 450S

A – Cut-out (4" x 28" / 100 mm x 720 mm) in the bottom of the cabinet for power cord and ventilation. – Electrical and water supplies are recommended to be placed in adjacent cabinetry. Additional cabinet depth is required when placing the electrical and water supplies behind the appliance. E = Electric connection

H 7840 BM AM

24" compact speed oven

in a perfectly combinable design with automatic programs and roast probe.



Handle H72xx, H76xx, H78xx, PureLine – NA7000 -
Installation drawing

H2880BP, H7270BM, H7670BM, H7870BM, H7280BP,
H7680BP, H7880BP, H7880BP2: 19 11/16" / 500 mm,
17 1/2" / 444 mm, 1 7/8" / 47 mm, 15/16" / 24 mm,
1 1/4" / 32,5 mm, 2 9/16" / 65 mm, H7240BM,
H7640BM, H7840BM, H7263BP, H7660BP: 15 3/4" /
400 mm, 14 3/16" / 360 mm, 1 7/8" / 47 mm, 15/16"
/ 24 mm, 1 1/4" / 32,5 mm, 2 9/16" / 65 mm