

BERTAZZONI

REFRIGERATOR
INSTALLATION AND USE MANUAL

EN

RÉFRIGÉRATEUR
MANUEL D'INSTALLATION ET D'UTILISATION

FR

REFRIGERADOR
INSTALACIÓN Y MANUAL DEL USUARIO

ES



REF36FDBZPNV/24



CONTENTS

1. IMPORTANT INFORMATION REGARDING SAFETY AND THE ENVIRONMENT	5
1.1 General Safety.....	5
1. Important Information Regarding Safety and the Environment.....	6
1.2 Intended Use.....	6
1.3 Children's Safety.....	6
1.4 Compliance with the WEEE Directive and Disposing of the Waste Product.....	6
1.5 Compliance with the RoHS Directive.....	6
1.6 Packaging Information.....	6
1.7 Hydrocarbon (HC) Warning.....	7
1.8 For Appliances with a Water Dispenser/Ice Machine.....	7
2. REFRIGERATOR COMPONENT LIST	8
3. DISPLAY PANEL SETUP INSTRUCTIONS	9
3.1 On/Off button.....	9
3.2 Button for Function Selection and for Enabling/Disabling the Child Lock.....	9
3.3 Refrigerator compartment temperature adjustment button.....	9
3.4 «Fresco» compartment temperature adjustment button.....	9
3.5 Freezer compartment adjustment button.....	9
3.6 Vacation Mode.....	10
3.7 Sabbath Mode.....	10
3.8 Eco Mode.....	10
3.9 Water Dispenser (if applicable).....	10
3.10 Ice Making (if applicable).....	10
3.11 Water filter replacement (if applicable).....	10
3.12 Celsius and Fahrenheit selection.....	10
3.13 Showroom Mode	10
4. BEFORE USING THE REFRIGERATOR	11
4.1 Ways to Save Energy.....	11
4.2 Recommendations for the Fresh Food Compartment.....	11
4.3 Initial use.....	11
5. OPERATING THE APPLIANCE	12
5.1 Dual Cooling System.....	12
5.2 Freezing Fresh Food.....	12
5.3 Recommendations for Storing Frozen Food.....	12
5.4 Arranging the foods.....	13
5.5 Operating temperature.....	13
5.6 Door Bins.....	14
5.7 Glass Shelves.....	14
5.8 Refrigerator Drawers.....	14
5.9 «Fresco» Compartment.....	15
5.10 Freezer Drawers.....	15
5.11 Hinge Adjustment.....	15
5.12 Changing the Direction of the Door.....	15
6. MAINTENANCE AND CLEANING	16
6.1 Preventing Unpleasant Odors.....	16
6.2 Protecting Plastic Surfaces.....	16
6.3 Cleaning the Interior Surfaces.....	16
6.4 Stainless Steel Exterior Surfaces.....	16
7. TROUBLESHOOTING	17
8. CUSTOMER CARE	19

1. IMPORTANT INFORMATION REGARDING SAFETY AND THE ENVIRONMENT

This manual will help you to get started using your appliance quickly and in a safe manner.

- > Please read this user manual carefully before installing and using the product.
- > Always heed the applicable safety information.
- > Keep the user manual in an easily accessible place for future use.
- > Please read all of the additional documents provided with the product.

Please keep in mind that this manual may apply to several different product models.

This manual expressly indicates the differences between the various models.

WARNING

Risk of injury and property damage.

Note

Important information and useful tips.



The packaging materials for this product have been manufactured from recyclable materials in accordance with National Environmental Regulations.

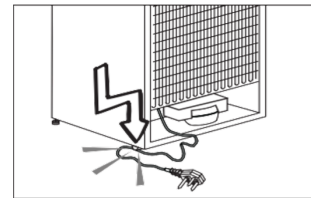
This chapter contains safety information that will help you to prevent risks of injury or property damage. Failure to follow these instructions shall render any product warranty void.

1.1 General Safety

- > This appliance may be used by children aged 8 or older, by people who have limited physical, sensory or mental capabilities and by people who lack experience and information, provided that they have been given instructions concerning the safe use of the appliance and are supervised, and that the risks have been eliminated. Children should not play with the appliance. Cleaning and care should not be performed by children unless they are supervised by an adult.
- > Unplug the appliance if you encounter a malfunction during use.
- > If the appliance malfunctions, it must not be allowed to remain on until repaired by an authorized service provider. Risk of electric shock!
- > Plug the appliance into a grounded socket that is protected by a fuse and that corresponds to the value on the product's nameplate. The appliance should

not be plugged into a GFCI protected outlet. Have a qualified electrician ground the appliance. Our company cannot be held responsible for damages resulting from a failure to use the appliance with a grounded socket pursuant to local regulations.

- > Unplug the appliance when not in use.
- > Never wash the appliance by pouring, daubing or spraying water onto it! Risk of electric shock!



- > Never touch the plug with wet hands!
- > Never unplug the appliance by pulling on the cable; pull on the plug itself. Always brace one hand against the socket panel while pulling the plug out.
- > Do not plug in the refrigerator if the wall socket is loose.
- > Never connect your refrigerator to an energy saving device. Such systems are harmful to your appliance.
- > Make sure the appliance is unplugged during installation, maintenance, cleaning and repairs.
- > Make sure to have your **Authorized Service Provider** install the appliance and set up its electrical connections. The manufacturer cannot be held responsible for damages arising from procedures performed by unauthorized persons.
- > Do not eat Popsicles or ice cubes immediately after you take them out of the freezer compartment! This may cause an ice burn in your mouth!
- > Do not touch frozen food with wet hands! It may stick to your hands!
- > Do not put bottled or canned liquid beverages in the freezer compartment. They may burst!
- > Never use steam or steam cleaners to clean or defrost the refrigerator. Steam coming into contact with the electrical components of your refrigerator can cause short circuit or electric shock!
- > Do not use mechanical devices or other means to accelerate the defrosting process; use only those recommended by the manufacturer.
- > Never use refrigerator components such as the door or drawers as means of support or as steps. This may cause the appliance to tip over or damage it.
- > Do not damage areas where refrigerant is circulating with drilling or cutting tools. If the gas ducts in the evaporator, the tubing extensions or the surface coatings are punctured, the refrigerant could blow out, causing skin irritation and eye injuries.
- > Do not cover or allow any object to block the ventilation openings in your refrigerator.
- > Ensure that beverages with higher alcohol content are tightly closed and store them vertically.

- > Do not use aerosol sprays near the appliance; this could result in a fire or explosion!
- > Flammable items, products that contain flammable gases (e.g. sprays) and explosive materials should never be stored inside the appliance.
- > Do not place containers filled with liquid on top of the appliance. Water spilling or splashing onto an electrical component could cause electric shock or a fire.
- > Do not store items that require precisely regulated temperatures (such as vaccines, heat-sensitive medication, materials for scientific study, etc.) in the refrigerator.
- > If you are not going to use the appliance for a long time, unplug it and remove the food from inside of it.
- > If there is a blue light on the refrigerator, do not look at this light using an optical instrument.
- > Exposing the appliance to rain, snow, sun or wind is dangerous in terms of electrical safety.
- > If the appliance has a mechanical control system (thermostat), wait for 5 minutes to plug the appliance back in again after unplugging.
- > Do not overload the refrigerator. Objects in the refrigerator may fall when the door is opened, causing injury or property damage. Placing objects on top of the appliance may give rise to a similar hazard.
- > If the refrigerator has a door handle, do not use that handle to move it. The handle might be loose.
- > Be careful not to place your hand or any other body part in the moving parts of the refrigerator.
- > Do not place your hand or any other foreign object into the ice machine while it is operating.

1.2 Intended Use

- > This product has been designed for domestic use. It must not be used in any way other than that for which it is intended. It is not suitable for commercial use.
- > It must be used only for storing food.
- > The manufacturer shall not be held liable for any damages resulting from improper use or transport.
- > Original spare parts will be available for 10 years following the product's purchase date.

1.3 Children's Safety

- > If there is a lock on the door of the appliance, the key should be kept out of reach of children.
- > Do not allow children to play with the product.



CAUTION

Before disposing of your old refrigerator or freezer:

- Children may get trapped inside.
- Remove the doors.
- Leave the shelves in place to prevent children from climbing inside the product easily.

1.4 Compliance with the WEEE Directive and Disposing of the Waste Product



This product conforms to the EU WEEE Directive (2012/19/ EU). It bears a classification symbol for waste electrical and electronic equipment (WEEE).

This product has been manufactured using high quality parts and materials, which can be reused and are suitable for recycling. Therefore, do not dispose of the product with ordinary household waste or other waste at the end of its service life. Take it to a collection center for recycling electrical and electronic equipment. Please consult your local authorities to learn about the locations of such collection centers.

1.5 Compliance with the RoHS Directive

The unit you have purchased conforms to the EU RoHS Directive (2011/65/EU). It does not contain materials specified in the Directive as harmful or prohibited.

1.6 Packaging Information

The packaging materials for this product have been manufactured from recyclable materials in accordance with National Environmental Regulations. Do not dispose of the packaging materials with ordinary household waste or other types of waste. Take these materials to a recycling location designated by local authorities.



CAUTION

Risk of Fire or Explosion:

- This product uses flammable refrigerant.
- Do not use mechanical devices to defrost the refrigerator.
- Do not use chemicals for cleaning.
- Do not pierce the refrigerant tubing.

1. IMPORTANT INFORMATION REGARDING SAFETY AND THE ENVIRONMENT

- If the refrigerant tubing is pierced, it must be repaired only by licensed service personnel.
- Please consult the maintenance and use manual before cleaning the product. All safety instructions must be followed.
- Dispose of the product in accordance with federal or local regulations.

impact risk.

- > Do not install anything on or over the hot water inlet.
- > Take the necessary measures to prevent any risk of the hoses freezing.
- > The operating water temperature range is between a minimum of 34°F (1 °C) and a maximum of 100°F (38 °C).



WARNING

Never connect the product to a cold-water supply system with a pressure higher than 80 psi (5.5 bars).

1.7 Hydrocarbon (HC) Warning

Your product's cooling system contains R600a. This gas is flammable. Therefore, be careful not to damage the cooling system or the tubing during use or transportation. If damaged, keep the appliance away from potential sources of ignition, which could cause it to catch fire, and ventilate the room where the appliance is placed.



Note

If the appliance is damaged or if you see a gas leak, please keep away from the gas. It may cause ice burn if it comes into contact with the skin.



Note

The type of gas used in the product is listed on the rating label, which is located on the left interior wall of the refrigerator.



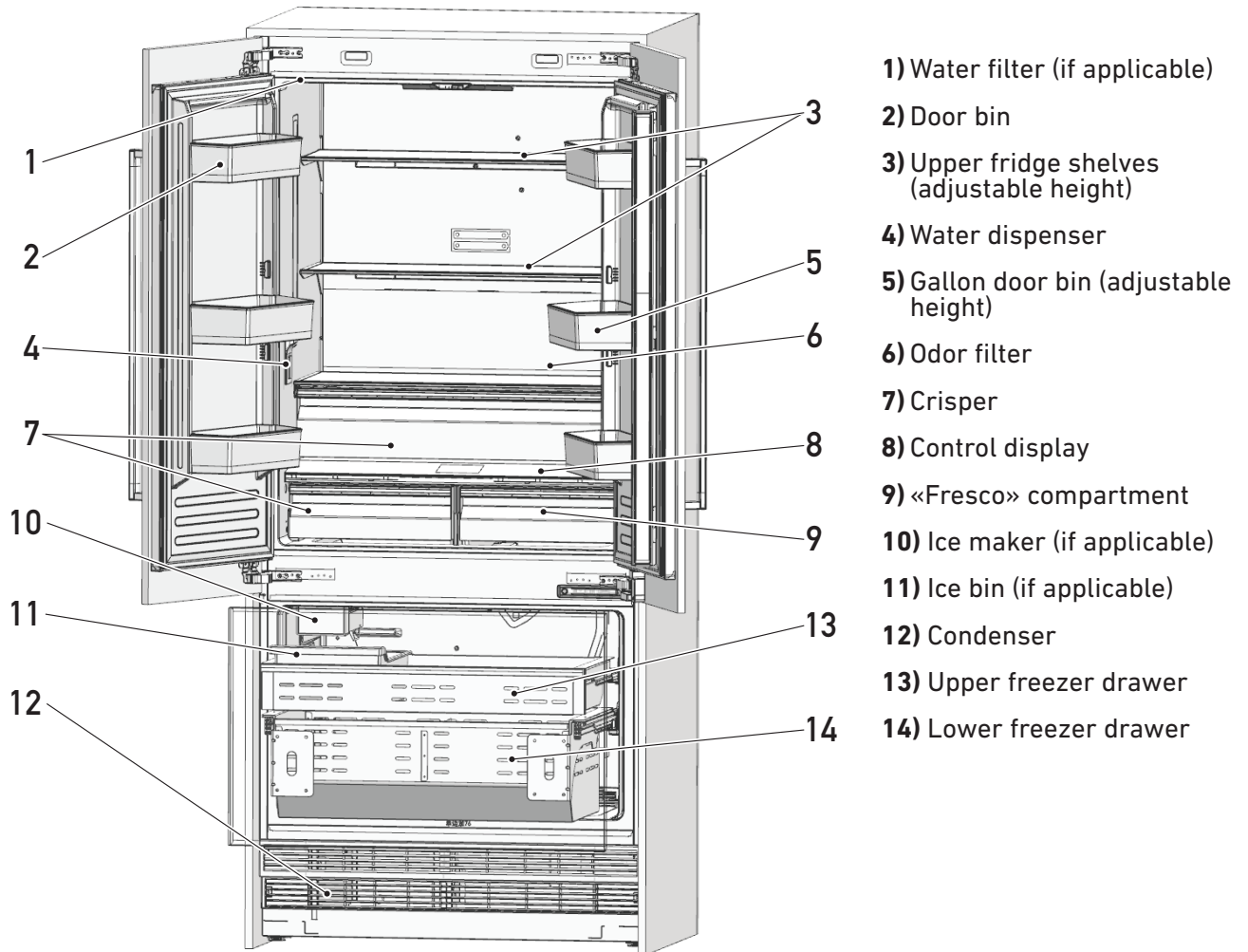
WARNING

Never attempt to burn the product as a means of disposal.

1.8 For Appliances with a Water Dispenser/Ice Machine

- > The operating pressure for the cold water inlet is 25-80 psi (1.7-5.5 bars). If the water pressure exceeds 80 psi (5.5 bars), install a pressure limiting valve to your water supply system.
- > If the water supply pressure is lower than 25 psi (1.7 bar), you can use an auxiliary pump to compensate for the low pressure.
- > If you do not know how to check the water pressure, please consult a professional plumber.
- > If there is a risk of water jet impact during your installation, make sure to use water jet impact protection equipment during installation.
- > Please consult a professional plumber if you are not sure if your installation involves a water jet

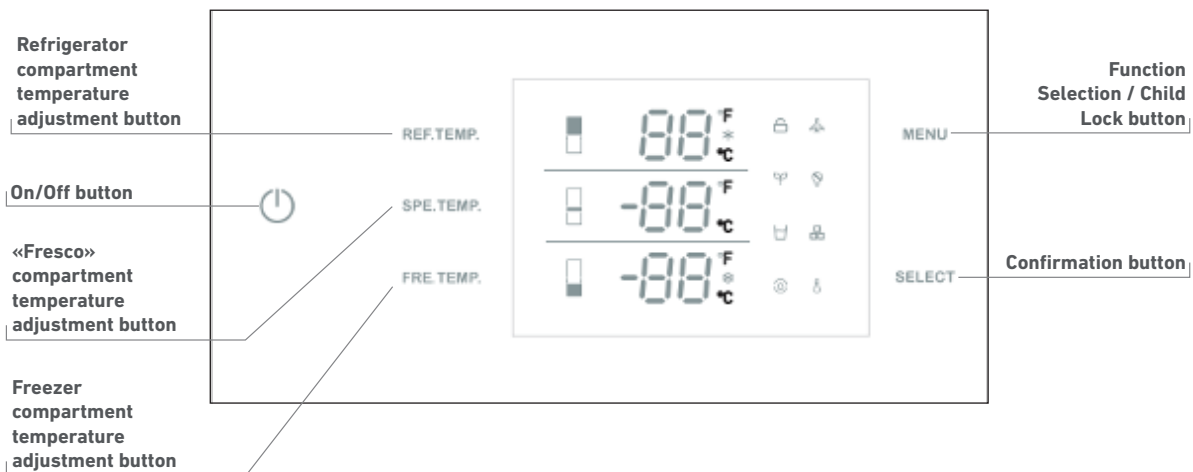
2. REFRIGERATOR COMPONENT LIST



Note

The figures in this user manual are schematic and may not match the product exactly. If your product does not have the parts described, the information applies to other models.

3. DISPLAY PANEL SETUP INSTRUCTIONS



Note

The figures in this user manual are schematic and may not match the product exactly. If your product does not have the parts described, the information applies to other models.

3.1 On/Off button

Serves to switch the whole appliance On or Off. Press the button to switch on the appliance; it will switch on after 5 seconds. Press and hold the On/Off button for 2 seconds to switch off.

3.2 Button for Function Selection and for Enabling/Disabling the Child Lock

The child lock is a feature for preventing children from changing the appliance's settings. Press and hold the MENU button for 3 seconds to lock/unlock the control panel.

When the child lock is enabled, the lock symbol will light up on the display.

3.3 Refrigerator compartment temperature adjustment button

Press the REF. TEMP. button to adjust the temperature within a range of between 35°F (2°C) and 46°F (8°C). The best temperature for the fresh food compartment is 39°F (4°C).

The Super Cool function can be activated by continuing to press after reaching 35°F (2°C). The "snow" symbol will light up on the display and the function will be activated. The refrigerator will operate at 35°F (2 °C) for 24 hours. After that, the function will quit automatically and the refrigerator compartment will go back to its original temperature setting.

NOTE: The default temperature setting is 41°F (5°C) for the fridge compartment.

3.4 «Fresco» compartment temperature adjustment button

Press the SPE. TEMP. button to adjust the special fridge compartment temperature within a range of between 30°F (-1°C) and 41°F (5°C).

NOTE: The default temperature setting is 35°F (2°C) for the special fridge compartment.

3.5 Freezer compartment adjustment button

Press the FRE. TEMP. button to adjust the freezer compartment temperature within a range of between 5°F (-15°C) and -11°F (-24°C).

The Super Freeze function will be enabled if you keep pressing the button after having reached -11°F (-24°C). When the "snow" symbol lights up on the display, the Super Freezer function will activate and the freezer will operate at -11°F (-24°C) for 24 hours. After that, the function will quit automatically and the freezer compartment will go back to its original temperature setting.

**Note**

The default temperature setting for the freezer compartment is 0°F (-18°C).

3.6 Vacation Mode

Press the MENU button until the vacation symbol lights up, then press the SELECT button to enable the function. When the Vacation Mode function is enabled, the fridge temperature will be set at 62°F (17°C) and the freezer temperature at 0°F (-18°C) automatically. When Vacation Mode is selected, the system will operate continuously. To deactivate Vacation Mode, press the MENU button until the vacation symbol lights up, then press SELECT.

**Note**

Do not store food in the fresh food compartment when Vacation Mode is enabled.

3.7 Sabbath Mode

Press the MENU button until the Sabbath Mode symbol lights up, then press the SELECT button to enable the function. When the Sabbath Mode function is enabled, all lights, buzzers and display panels will be switched off. To deactivate Sabbath Mode, press the MENU button until the Sabbath Mode symbol lights up, then press SELECT.

3.8 Eco Mode

Press the MENU button until the Eco Mode symbol lights up, then press the SELECT button to enable the function. When the Eco Mode function is enabled, the fridge temperature will be set at 46 °F (8 °C) and the freezer temperature at 5 °F (-15 °C) automatically. To deactivate Eco Mode, press the MENU button until the Eco symbol lights up, then press SELECT.

3.9 Water Dispenser (if applicable)

Press the MENU button until the water dispenser symbol lights up, then press the SELECT button to enable the function. When the water dispensing function is enabled, fresh water can be dispensed from the dispenser fitted on the internal wall.

3. DISPLAY PANEL SETUP INSTRUCTIONS

3.10 Ice Making (if applicable)

Press the MENU button until the ice making symbol lights up, then press the SELECT button to enable the function. When the ice making function is enabled, the ice maker will operate automatically and ice cubes will accumulate in the ice tray. Ice production is 3.9 lbs/24 hrs.



Note

Prepare the water filter for use before using the ice maker. After connecting the refrigerator to a water source or after replacing the water filter, fill and discard two full containers of ice.

3.11 Water filter replacement (if applicable)

The water filter symbol flashes and beeps to advise the user to replace the water filter. The water filter is located inside a plastic casing positioned in the top left corner of the refrigerator compartment.

- > To access the filter, press on the central clip of the casing. The bottom part of the casing will open by rotating it 45° downwards.
- > To remove the filter, gently pull it down from the rear of the cartridge to allow for a better grip when removing, then firmly hold the base and rotate the filter body counterclockwise. Then, gently pull it out.
- > To install the new filter, firmly hold the base and insert the replacement filter, then secure it by rotating it clockwise.
- > Push the rear of the cartridge back upwards until it is level. Finally, close the filter casing by rotating the bottom part 45° upwards, ensuring it snaps onto the central clip.

After the replacement is complete, reset the filter counter by pressing and holding the SELECT button for 5 seconds. The set replacement time is 180 days.

The refrigerator comes equipped with a water plug designed to replace the water filter when connected to a centralized water treatment system or when the filter is not used. If your refrigerator is connected to such a system, remove the filter and install the water plug in its place within the filter casing.

After 180 days of use, an alarm on the user interface will remind to reset the filter counter, even when using the water plug.

3.12 Celsius and Fahrenheit selection

To switch between Celsius and Fahrenheit, press the MENU button until the Celsius and Fahrenheit selection symbol lights up. Press the SELECT button to confirm your choice.

3.13 Showroom Mode

Press the MENU and FRE. TEMP buttons simultaneously for 3 seconds to enable the function. Powering the device off and restarting it will deactivate Showroom Mode.

This mode is used when the refrigerator is on display in a retail store or if you want to turn the cooling off and deactivate all other functions except interior lighting.



Note

Do not store any food items while in showroom mode, because the appliance then remains at room temperature.

4.1 Ways to Save Energy

**WARNING**

Connecting your refrigerator to an energy saving system is dangerous, as this may damage your appliance.

- > Do not leave the doors of your refrigerator open for a long time.
- > Do not put hot food or drinks into your refrigerator.
- > Do not overload the refrigerator. Cooling capacity will fall when air circulation in the refrigerator is obstructed.
- > Do not place the refrigerator in direct sunlight. Install the product at least 12" (30 cm) away from heat sources such as kitchen ranges, ovens, heater units and stoves and at least 2" (5 cm) away from electric ovens.
- > Be sure to store your food in closed containers inside the refrigerator.
- > You can remove the drawer shelf in the freezer compartment in order to fill the freezer compartment with the maximum amount of food. The appliance's provided energy consumption value has been determined with the freezer compartment shelf or drawer removed and with the refrigerator filled with the maximum amount of food. There is no harm in choosing to use a shelf or drawer based on the shapes and sizes of the food to be frozen.
- > Thawing frozen foods in the fridge compartment both saves energy and preserves the quality of the foods.

**Note**

The temperature in the room where your refrigerator is located should at least be 50°F (10°C). Operating your refrigerator in cooler conditions is not recommended, in terms of its efficiency.

**Note**

The inside of your refrigerator must be kept perfectly clean.

**Note**

If two refrigerators are to be installed side by side, there should be at least 1½" (4 cm) distance between them.

4.2 Recommendations for the Fresh Food Compartment

- > Make sure that the food does not touch the temperature sensor in the fresh food compartment. To allow the fresh food compartment to maintain its ideal storage temperature, the sensor must not be obstructed by food items.
- > Do not place hot foods or beverages inside the appliance.

4.3 Initial use

Before using the appliance, make sure that all preparations have been made according to the instructions provided in the section "Important Information Regarding Safety and the Environment" and in the Installation Manual.

- > Clean the interior of the refrigerator as recommended in the "Maintenance and Cleaning" section. Before you turn on the refrigerator, make sure that the interior is dry.
- > Plug the refrigerator into a grounded socket. The interior lighting comes on when the refrigerator door is opened.
- > Run the refrigerator for 6 hours before placing any food in it and do not open its door unless it is necessary.

**Note**

You will hear a noise when the compressor starts up. The liquids and gases sealed within the refrigeration system may also cause noise, even if the compressor is not running. This is quite normal.

**Note**

The front edges of the refrigerator may feel warm. This is normal. These areas are designed to be warm in order to prevent condensation.

5. OPERATING THE APPLIANCE

5.1 Dual Cooling System

Your refrigerator is equipped with two separate cooling systems, one for the fresh food compartment and one for the freezer compartment.

This way the air and odor in the fresh food compartment and the frozen food compartment do not mix.

Thanks to these two separate cooling systems, the cooling speed is much higher than that of other refrigerators. Also, it allows for additional power savings, since defrosting is performed separately.

5.2 Freezing Fresh Food

➤ Wrap foods or place them in a covered container before putting them in the refrigerator.

➤ Hot foods and beverages must have cooled down to room temperature before you put them in the refrigerator.

➤ The food that you want to freeze must be fresh and in good condition.

➤ Divide the food into portions according to your family's daily or meal-based consumption needs.

➤ Pack the foods in an airtight manner to prevent them from drying out, even if they are only going to be stored for a short time.

➤ Materials to be used for packaging must be tear-proof and resistant to cold, humidity, odor, oils and acids; they must also be airtight. Moreover, they must be well sealed and made from easy-to-use materials that are suitable for deep freezers.

➤ Frozen food must be used immediately after thawing; it must never be refrozen.

➤ Do not freeze very large amounts of food at one time. The quality of the food is best preserved when it is frozen right through to the core as quickly as possible.

➤ Placing warm food into the freezer compartment causes the cooling system to run continuously until the food is frozen solid.

5.3 Recommendations for Storing Frozen Food

➤ Frozen foods you purchase must be stored in the conditions and at the temperature determined by the food manufacturer.

➤ To ensure that the high quality achieved by the frozen food manufacturer and the food retailer is maintained, heed the following recommendations:

1. Put packages in the freezer as quickly as possible after purchase.

2. Make sure that packages are labeled and dated.

3. Check whether or not the "Use By" or "Best Before" date on the packaging has passed.

5.4 Arranging the foods

Compartment	Food
Freezer compartment shelves	Various frozen foods (meat, fish, ice cream, vegetables, etc.)
Egg tray	Eggs
Fridge compartment shelves	Food in pans, covered plates and closed containers
Door bins in the fridge compartment	Small and packaged foods or beverages (milk, fruit juice, beer, etc.)
Crisper	Fruit and vegetables
Special fridge compartment	Delicatessen products (cheese, butter, salami, etc.)

5.5 Operating temperature

FREEZER	FRIDGE	NOTES
0°F (-18°C)	39°F (4°C)	This is the recommended normal setting.
-4°F (-20°C)	37°F (3°C)	These settings are recommended when the ambient temperature is above 86°F (30 °C).
Super Freeze	39°F (4°C)	Use when you wish to freeze your food in a short time. Your appliance will return to its previous mode when the process is over.
-11°F (-24°C)	35°F (2°C)	Use these settings if you think that your fridge compartment is not cold enough because of hot ambient conditions or frequent opening and closing of the door.
0°F (-18°C) or colder	Super Cool	Use this function when you are putting a lot of things into the fridge compartment at once or when you need to cool your food quickly. It is recommended that you activate the Super Cool function 4-8 hours before adding the food.

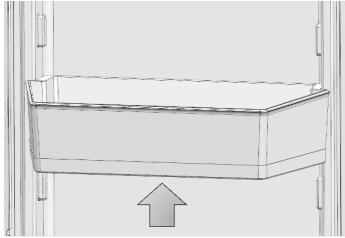
Recommended Operating Temperature:

Fridge: 39°F (4°C), Freezer: 0°F (- 18°C).

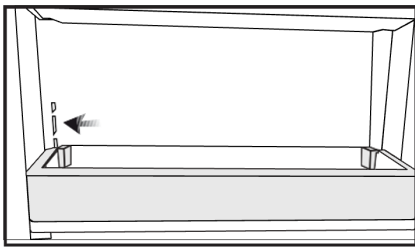
5. OPERATING THE APPLIANCE

5.6 Door Bins

To remove a door bin, hold it from the bottom, lift it and slide it out. Please see the figure.



To adjust the height of a door bin, press and hold the buttons at the right and left sides to adjust the bin to the desired height without having to remove it. To remove the adjustable door bin, press and hold the buttons, lift the bin completely and pull it towards yourself. To reinstall the door bin, position it in its place on the door and press the buttons to slide it downwards. Please see the figure.



5.7 Glass Shelves

The height of the glass shelves can be adjusted manually using the rear hangers. Holding a shelf from the bottom, lift the front part and raise it to an angled position; the tabs on the hangers will be released and the glass shelf will move up and down.

To remove a shelf

- Hold the front of the shelf, then gently lift up and slide it out.

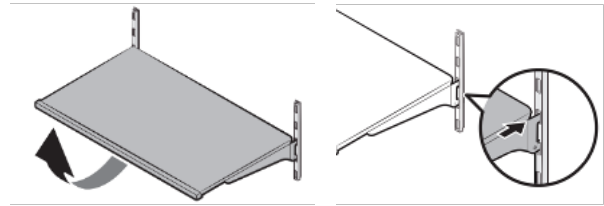
To reinsert

- Hold the shelf at an angle so that the front is higher than the back, then insert the top hook into the top shelf notch you wish to use.
- Lower the front gently.



Note

To prevent breakage or scratching the interior of the fridge, use care when handling glass shelves.



WARNING

Glass shelves must be unloaded before moving.



WARNING

You must wait for the glass shelves to reach room temperature before immersing them in water for cleaning.



WARNING

The door may not close if the door bins are positioned at the same level as the glass shelves. After placing the shelves, make sure that the door can close properly.

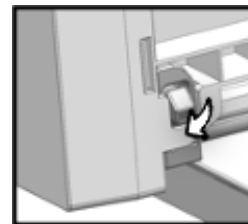
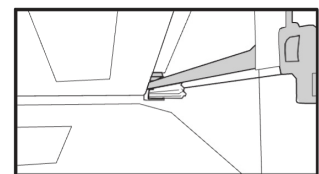
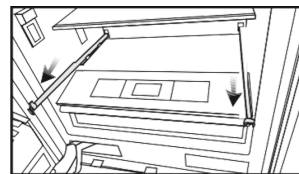
5.8 Refrigerator Drawers

To remove a drawer

- Pull out the drawer until it stops.
- Gently unclip the front section of the drawer, then pull it out completely.

To install a drawer

- Pull the rails as far forward as they will go.
- Align the gaps at the rear corners of the drawer with the components located at the rear ends of the rails.
- Push the drawer slowly down until you feel it clip onto the rails at the front.



Note

Make sure that the components on the right- and left-hand sides of the rails are firmly secured when installing the drawer.

**Note**

Never leave vegetables in their plastic bags in the drawer. If they are left in their plastic bags, they will spoil in a short period of time.

The drawers preserve the humidity of your vegetables, allowing you to store them for a longer time without having to keep them in their bags.

If you prefer that the vegetables not come into contact with each other for hygienic reasons, you can use perforated paper, foam or other similar materials instead of plastic bags.

When positioning the vegetables in the drawers, their specific weights should be taken into consideration. Heavy and hard vegetables must be placed at the bottom of the drawer and light and soft vegetables must be kept on top.

Pears, kiwis, tomatoes, cucumbers, apricots, peaches, broccoli, lettuce, cabbage, parsley and spinach are fruits and vegetables that emit ethylene gas. Do not place them in the same crisper with other fruits and vegetables. The ethylene gas emitted by these foods causes other fruits and vegetables to ripen sooner and to spoil in a shorter span of time.

Do not remove the drawer from the refrigerator unless you must do so.

5.9 «Fresco» Compartment

This section is designed for storing foods such as fish, meat and vegetables, as well as deli products such as cheese and cold cuts. You can control the temperature in this compartment in order to preserve them better.

**Note**

Removal/installation procedures for the special fridge compartment are the same as those for the refrigerator drawers.

5.10 Freezer Drawers

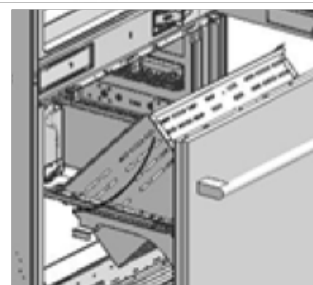
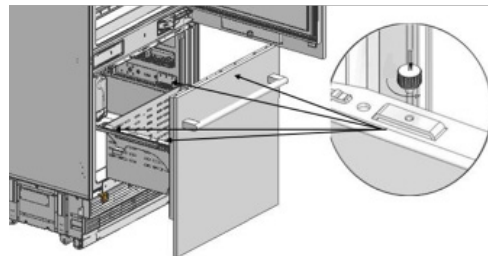
The freezer compartment stores your foods at a temperature between -11°F (-24°C) and 0°F (-18°C), in order to maintain their freshness for a long time.

To remove the drawer

- Pull the freezer drawer open until it stops.
- Unscrew the drawer's retaining screw and remove it carefully.

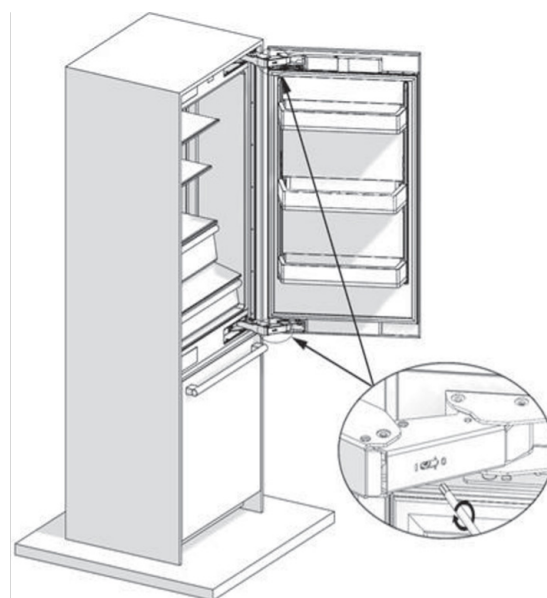
To install the drawer

- Pull the freezer drawer open until it stops.
- Lower the crisper slowly down and screw in the drawer's retaining bolt.



5.11 Hinge Adjustment

When adjusting the tightness of the hinge: The tightness of the lower and upper door hinges of the fresh food compartment can be adjusted with the help of a drill. Move the hinge adjustment screw to position "1" from position "0".



5.12 Changing the Direction of the Door

Please see the installation instructions provided with the appliance.

6. MAINTENANCE AND CLEANING

6. Maintenance and Cleaning

The service life of the product will be extended and frequently encountered problems will occur less often if the product is cleaned periodically.

**WARNING**

Switch off the product before cleaning.

**WARNING**

It is recommended that you clean the condenser every six months, using gloves. Do not use a vacuum cleaner.

Never use gasoline, benzene or any similar substance for cleaning purposes.

Never use any sharp or abrasive instrument, soap, household cleaner, detergent or wax polish for cleaning.

Dissolve one teaspoon of sodium bicarbonate in half a liter of water. Soak a cloth in the solution and wring it out thoroughly. Wipe the interior of the refrigerator with this cloth and dry thoroughly.

Make sure that no water penetrates the lamp housing or other electrical parts.

If you will not be using the refrigerator for a long time, unplug it, remove all of the food from inside, clean it out and leave the door ajar.

Check regularly that the door seals are clean. If not, clean them.

Take everything out of the appliance before removing the door and the upper fridge shelves.

Remove the door bins by pulling them up. Slide the shelves downwards to reinstall them after cleaning. Never use water or cleaning agents that contain chlorine to clean the exterior surfaces or the chrome parts of the product. Chlorine causes abrasion on metal surfaces of this type.

6.1 Preventing Unpleasant Odors

Materials that can cause odors are not used in the manufacturing of our refrigerators. However, odors may be emitted by foods that are stored improperly or if the interior surfaces of the product are not cleaned as required.

Please heed the following tips in order to prevent this problem:

It is important that the refrigerator be kept clean. Food residues, spills, etc. can cause odors. For this reason, clean your refrigerator with a solution of sodium bicarbonate dissolved in water every 15 days. Never use detergents or soaps.

Keep your food in closed containers. Microorganisms escaping from uncovered containers can cause

unpleasant odors.

Never keep expired or spoiled foods in your refrigerator.

6.2. Protecting Plastic Surfaces

Do not put unsealed containers containing oils in liquid form or meals cooked in oil into your refrigerator, as these may damage the plastic surfaces of your refrigerator.

If oil is spilled or smeared onto the plastic surfaces, clean and rinse the affected areas immediately using warm water.

6.3 Cleaning the Interior Surfaces

To clean the interior surfaces and all removable parts, wash them with a mild solution of soap, water, and sodium bicarbonate. Rinse and dry thoroughly. Do not allow the water to come into contact with the lighting equipment or control panel.

**WARNING**

Do not use vinegar, rubbing alcohol or any alcohol-based cleaning agent on any of the interior surfaces.

6.4 Stainless Steel Exterior Surfaces

Use a non-abrasive stainless-steel cleaning agent; apply it with a soft, lint-free cloth.

For polishing, wipe the surface gently with a damp microfiber cloth and follow with dry washleather. Always rub in the direction of the grain of the stainless steel.

7. Troubleshooting

Please review this list before calling customer service. This will save you time and money. This list contains frequently encountered problems that are not the result of faulty workmanship or wear. Your product may not have some of the features described here.

The refrigerator is not operating

- It may not be plugged in properly.
 - > Plug in the product properly.
- The fuse of the socket to which your refrigerator is connected or the main fuse may have blown.
 - > Check the fuse.

There is condensation in the fridge compartment

- The door may have been opened/closed frequently.
 - > Do not open/close the refrigerator door frequently.
- The surrounding environment may be too humid.
 - > Do not install the refrigerator in a location with a very high level of humidity.
- Foods containing liquids may have been placed inside the refrigerator in containers without covers.
 - > Do not place foods containing liquids inside the refrigerator in unsealed containers.
- The refrigerator door may have been left ajar.
 - > Do not keep the doors of your refrigerator open for a long time.

The compressor is not operating

- The compressor's thermal overload protector will shut the compressor off in the event of a sudden power failure or when the appliance is unplugged then plugged back in, as the pressure of the refrigerant in the refrigerator's cooling system has not yet been balanced.
- The refrigerator will start running again after approximately 6 minutes. If, after that amount of time has passed, the refrigerator has not started running again, please call your Authorized Service Provider.
- The freezer is in a defrosting cycle. >>>This is normal for a refrigerator that performs full-automatic defrosting. A defrosting cycle is performed periodically.
- The refrigerator may not be plugged in.
 - > Make sure that the plug fits the socket.
- The temperature settings may be incorrect.
 - > Select the correct temperature value.
- Possible power failure.
 - > The refrigerator will start to operate normally again once the power is restored.

The operating noise increases when the refrigerator is running

The refrigerator's performance may vary based on changes in the ambient temperature. This is normal and not a malfunction.

Vibration or noise

- The floor may not be stable or level.
 - > If the refrigerator shakes when moved slightly, adjust the feet to balance it. Make sure that the floor is level and capable of bearing the refrigerator's weight.
- Objects placed on top of the refrigerator may cause noise.
 - > Remove any objects that are on the refrigerator.

There are noises coming from the refrigerator, like liquid spilling or spraying

- Ordinary refrigerator operation involves flows of liquid and gas. This is normal and not a malfunction.

A whistle is heard coming from the refrigerator

- Fans are used to cool the refrigerator. This is normal and not a malfunction.

Moisture accumulates on the interior walls of refrigerator

- Hot and humid weather increases icing and condensation. This is normal and not a malfunction.
- The doors may have been opened frequently or left ajar for a long time.
 - > Do not open the doors frequently. Close the doors, if open.
- The door may have been left ajar.
 - > Close the door completely.

There is moisture accumulating on the exterior surfaces of the refrigerator or between the doors

- The ambient air may be humid. This is quite normal in humid weather or climates.
 - > The condensation will disappear when the humidity level decreases.
- Exterior condensation may occur in the section between the refrigerator's two doors if you use your appliance rarely. This is normal. This condensation will disappear with more frequent use.

There is an unpleasant odor inside the refrigerator

- Regular cleaning may not have been performed.
 - > Clean the inside of the refrigerator using a sponge, lukewarm water or a solution of water and sodium bicarbonate.
- Some containers or packaging materials can be the source of unpleasant odors.
 - > Use a different container or packaging materials

7. TROUBLESHOOTING

from a different brand.

- Food may have been placed inside the refrigerator in uncovered containers.
 - > Store food in closed containers. Microorganisms escaping from uncovered containers can cause unpleasant odors.
- Remove any expired or spoiled foods from the refrigerator.

The door will not close

- Food packages may be preventing the door from closing.
 - > Relocate any packages obstructing the door.
- The refrigerator may not be standing in a stable position on the floor.
 - > Adjust the refrigerator's feet as required to ensure it is stable.
- The floor may not be level or sturdy.
 - > Make sure that the floor is level and capable of bearing the refrigerator's weight.

Crispers are stuck

- Foods may be touching the ceiling of the crisper.
 - > Rearrange the foods inside the crisper.



WARNING

If you cannot resolve the problem even by following the instructions in this section, consult your dealer or Authorized Service Provider. Never attempt to repair a malfunctioning product on your own.

For any warranty information and service request, contact us:



In USA

<https://us.bertazzoni.com/more/support>

In CANADA

<https://ca.bertazzoni.com/more/support>

TABLE DES MATIÈRES

1. INSTRUCTIONS IMPORTANTES CONCERNANT LA SÉCURITÉ ET L'ENVIRONNEMENT	21
1.1 Sécurité générale.....	21
1.2 Utilisation prévue.....	22
1.3 Sécurité des enfants.....	22
1.4 Conformité à la directive DEEE et mise au rebut des déchets du produit.....	22
1.5 Conformité avec la directive RoHS.....	23
1.6 Informations sur l'emballage.....	23
1.7 Avertissement concernant les hydrocarbures (HC).....	23
1.8 Pour les produits avec un distributeur d'eau/une machine à glaçons.....	23
2. LISTE DES COMPOSANTS DU RÉFRIGÉRATEUR	24
3. INSTRUCTIONS DE CONFIGURATION DU PANNEAU D'AFFICHAGE	25
3.1 Touche Marche/Arrêt.....	25
3.2 Choix de la fonction / Touche de sécurité enfant.....	25
3.3 Touche de réglage de la température du compartiment réfrigérateur.....	25
3.4 Touche de réglage de la température du compartiment «Fresco».....	25
3.5 Touche de réglage du compartiment de congélation.....	25
3.6. Mode Vacances.....	26
3.7. Mode Shabbat.....	26
3.8. Mode Eco.....	26
3.9. Distributeur d'eau (si applicable).....	26
3.10. Fabrication de glaçons (le cas échéant).....	26
3.11. Remplacement du filtre à eau (le cas échéant).....	27
3.12. Sélection des degrés Celsius et Fahrenheit.....	27
3.13. Mode Showroom.....	27
4. AVANT D'UTILISER LE RÉFRIGÉRATEUR	28
4.1 Mesures à prendre pour économiser l'énergie.....	28
4.2 Recommandations concernant le compartiment des aliments frais	28
4.3 Première utilisation.....	28
5. UTILISATION DU PRODUIT	29
5.1 Système de double refroidissement.....	29
5.2 Congélation des aliments frais.....	29
5.3 Recommandations pour la conservation des aliments congelés.....	29
5.4 Placement des aliments.....	30
5.5 Température de fonctionnement.....	30
5.6 Balconnets.....	30
5.7 Clayettes en verre.....	30
5.8 Bacs du réfrigérateur.....	30
5.9 Compartiment «Fresco».....	32
5.10 Bacs du congélateur.....	32
5.11 Réglage de la charnière.....	32
5.12 Modification du sens de la port.....	32
6. ENTRETIEN ET NETTOYAGE	33
6.1 Éviter les mauvaises odeurs.....	33
6.2. Protection des surfaces en plastique.....	33
6.3 Nettoyage de la surface intérieure.....	33
6.4 Surfaces extérieures en acier inoxydable.....	33
7. RÉOLUTION DES PROBLÈMES	34
8. SERVICE CLIENTÈLE	36

Ce manuel contribue à utiliser votre appareil rapidement et en toute sécurité.

- > Lire attentivement ce manuel d'utilisation avant d'installer et d'utiliser le produit.
- > Toujours respecter les instructions de sécurité applicables.
- > Conserver le manuel d'utilisation dans un endroit facilement accessible pour une utilisation ultérieure.
- > Lire tous les autres documents fournis avec le produit.

Garder à l'esprit que ce manuel peut s'appliquer à plusieurs modèles de produits.

Ce manuel indique expressément les différences entre les différents modèles.

! **ATTENTION**
Risque de blessures et de dommages matériels.

📎 **Remarque**
Informations importantes et conseils utiles.

♻️ Les matériaux d'emballage de ce produit ont été fabriqués à partir de matériaux recyclables, conformément aux réglementations nationales en matière d'environnement.

Ce chapitre contient des informations relatives à la sécurité qui aideront à éviter les risques de blessures corporelles ou de dommages matériels. Le non-respect de ces instructions entraîne l'annulation de la garantie du produit.

1.1 Sécurité générale

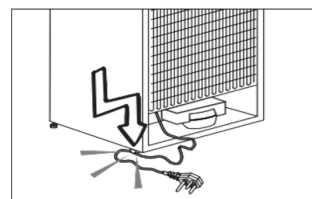
- > Ce produit peut être utilisé par les enfants à partir de 8 ans et les personnes dont les capacités physiques, sensorielles ou mentales sont limitées, ainsi que par les personnes manquant d'expérience et d'information, à condition qu'elles aient reçu les instructions relatives à l'utilisation sûre du produit, qu'elles soient supervisées et que les risques aient été éliminés. Les enfants ne doivent pas jouer avec le produit. Le nettoyage et l'entretien ne doivent pas être effectués par des enfants, sauf s'ils sont supervisés par un adulte.
- > Débrancher le produit en cas de défaillance pendant l'utilisation.
- > Si le produit présente un dysfonctionnement, il

ne doit pas être utilisé tant qu'il n'a pas été réparé par le prestataire de service agréé. Risque de choc électrique !

- > Brancher le produit dans une prise de courant reliée à la terre et protégée par un fusible dont la valeur correspond à celle indiquée sur sa plaque signalétique. Le produit ne doit pas être branché dans une prise protégée par un disjoncteur différentiel de fuite à la terre. Demander à un électricien qualifié de mettre le produit à la terre. Notre société ne peut être tenue responsable des dommages résultant de l'absence d'utilisation du produit avec une prise reliée à la terre conformément aux réglementations locales.

- > Débrancher le produit lorsqu'il n'est pas utilisé.

- > Ne jamais laver le produit en y répandant ou en y versant de l'eau ! Risque de choc électrique !



- > Ne jamais toucher la fiche avec les mains mouillées !

- > Ne jamais débrancher le produit en tirant sur le câble ; tirer sur la fiche elle-même. Toujours maintenir une main contre le boîtier de la prise lors du retrait de la fiche.

- > Ne pas brancher le réfrigérateur si la prise murale est desserrée.

- > Ne jamais connecter votre réfrigérateur à des dispositifs d'économie d'énergie. De tels systèmes sont néfastes pour votre produit.

- > Débrancher le produit pendant les procédures d'installation, d'entretien, de nettoyage et de réparation.

- > Toujours faire installer le produit et établir ses raccordements électriques par le **prestataire de services agréé**. Le fabricant ne peut être tenu responsable des dommages causés par des procédures effectuées par des personnes non autorisées.

- > Ne pas manger les glaces à l'eau ou les glaçons immédiatement après les avoir sortis du compartiment de congélation ! Cela pourrait provoquer des brûlures par le froid dans la bouche !

- > Ne pas toucher les aliments congelés avec les mains mouillées ! Ils pourraient rester collés à votre main !

- > Ne pas mettre de boissons liquides en bouteille ou en canette dans le compartiment de congélation. Elles pourraient éclater !

- > Ne jamais utiliser de vapeur ou de nettoyeur à vapeur pour nettoyer ou dégivrer le réfrigérateur. La vapeur entre en contact avec les pièces sous tension de votre réfrigérateur, provoquant un court-circuit ou un choc électrique !

1. INSTRUCTIONS IMPORTANTES CONCERNANT LA SÉCURITÉ ET L'ENVIRONNEMENT

- > Ne pas utiliser d'équipements mécaniques ou d'autres moyens que ceux recommandés par le fabricant afin d'accélérer le processus de dégivrage.
- > Ne jamais utiliser les pièces de votre réfrigérateur, telles que la porte et le bac, comme support ou marchepied. Le produit pourrait basculer ou ses composants être endommagés.
- > Ne pas endommager pas les parties où circule le réfrigérant avec des outils de perçage ou de coupe. Le réfrigérant qui peut s'échapper lorsque les canaux de gaz de l'évaporateur, les rallonges de tuyaux ou les revêtements de surface sont percés provoque des irritations de la peau et des blessures aux yeux.
- > Ne pas couvrir ni bloquer pas les orifices de ventilation de votre réfrigérateur avec un objet quelconque.
- > Placer les boissons à teneur plus élevée en alcool en position verticale et hermétiquement fermée.
- > Ne pas utiliser pas de sprays gazeux à proximité du produit, car il existe un risque d'incendie ou d'explosion !
- > Les articles inflammables ou les produits contenant des gaz inflammables (par exemple, les sprays) ainsi que les matières explosives ne doivent jamais être conservés dans l'appareil.
- > Ne pas placer de récipients remplis de liquide sur le produit. Les éclaboussures d'eau sur une pièce électrique pourraient provoquer un choc électrique ou un risque d'incendie.
- > Ne pas stocker dans le réfrigérateur des articles nécessitant un réglage précis de la température (tels que des vaccins, des médicaments sensibles à la chaleur, des matériaux scientifiques, etc.)
- > Si le produit ne doit pas être utilisé pendant une longue période, le débrancher et retirer les aliments qu'il contient.
- > Si une lumière bleue est présente sur le réfrigérateur, ne pas regarder cette lumière avec des outils optiques.
- > L'exposition du produit à la pluie, à la neige, au soleil ou au vent est dangereuse en termes de sécurité électrique.
- > Pour les produits à commande mécanique (thermostat), attendre 5 minutes avant de rebrancher le produit après l'avoir débranché.
- > Ne pas surcharger le réfrigérateur. Des objets se trouvant dans le réfrigérateur peuvent tomber lorsque la porte est ouverte et provoquer des blessures ou des dommages. Des problèmes similaires peuvent survenir si un objet quelconque est placé sur le produit.
- > Si le produit est équipé d'une poignée de porte, ne pas tirer sur la poignée lors du repositionnement du produit. La poignée peut être desserrée.
- > Faire preuve de prudence afin de ne pas se

coincer la main ou toute autre partie du corps dans les parties mobiles du réfrigérateur.

- > Ne pas mettre votre main ou tout autre corps étranger dans la machine à glaçons lorsqu'elle est en fonctionnement.

1.2 Utilisation prévue

- > Ce produit a été conçu pour un usage domestique. Il ne convient pas à un usage commercial et ne doit pas être utilisé en dehors de l'usage auquel il est destiné.
- > Il doit être utilisé uniquement pour le stockage des aliments.
- > Le fabricant n'assume aucune responsabilité pour les dommages résultant d'une utilisation ou d'un transport inappropriés.
- > Les pièces de rechange originales sont disponibles pendant 10 ans après la date d'achat du produit.

1.3 Sécurité des enfants

- > Si la porte du produit est munie d'un verrou, la clé doit être conservée hors de portée des enfants.
- > Ne pas laisser les enfants jouer avec le produit.



DANGER :

Avant de mettre au rebut votre ancien réfrigérateur ou congélateur :

- Les enfants peuvent s'enfermer à l'intérieur.
- Retirer les portes.
- Laisser les clayettes pour empêcher les enfants de pénétrer facilement dans le produit.

1.4 Conformité à la directive DEEE et mise au rebut des déchets du produit



Ce produit est conforme à la directive DEEE de l'UE (2012/19 UE). Ce produit porte un symbole de classification pour les déchets d'équipements électriques et électroniques (DEEE). Ce produit a été fabriqué à partir de pièces et de matériaux de haute qualité qui peuvent être réutilisés et sont adaptés au recyclage. Par conséquent, ne pas mettre au rebut le produit avec les déchets domestiques normaux ou d'autres déchets à la fin de sa vie utile. L'apporter à un centre de collecte pour le recyclage des équipements électriques et

électroniques. Consulter les autorités locales pour connaître l'emplacement de ces centres de collecte.

1.5 Conformité avec la directive RoHS

Le présent appareil est conforme à la directive européenne RoHS (2011/65/UE). Il ne contient pas de matériaux nocifs ou interdits spécifiés dans la directive.

1.6 Informations sur l'emballage

Les matériaux d'emballage du produit ont été fabriqués à partir de matériaux recyclables, conformément à nos réglementations nationales en matière d'environnement. Ne pas mettre au rebut les matériaux d'emballage avec les déchets domestiques normaux ou d'autres types de déchets. Apporter ces matériaux à un point de recyclage désigné par les autorités locales.



DANGER :

Risque d'incendie ou d'explosion :

- Ce produit utilise un réfrigérant inflammable.
- Ne pas utiliser de dispositifs mécaniques pour dégivrer le réfrigérateur.
- Ne pas utiliser de produits chimiques pour le nettoyage.
- Ne pas percer le tuyau du réfrigérant.
- Si le tuyau de réfrigérant est percé, il doit être réparé uniquement par un réparateur agréé.
- Consulter le manuel de réparation/utilisateur avant de nettoyer le produit. Toutes les consignes de sécurité doivent être respectées.
- Mettre le produit au rebut conformément aux réglementations nationales ou locales.

1.7 Avertissement concernant les hydrocarbures (HC)

Le système de refroidissement de votre produit contient du R600a : ce gaz est inflammable. Par conséquent, veiller à ne pas endommager le système de refroidissement ou la tuyauterie pendant l'utilisation et le transport. S'il est endommagé, éloigner le produit des sources de feu potentielles qui pourraient l'enflammer et ventiler la pièce où il

est placé.



Remarque

Si le produit est endommagé et en présence d'une fuite de gaz, se tenir à l'écart du gaz. Il peut provoquer des brûlures par le froid s'il entre en contact avec la peau.



Remarque

Le type de gaz utilisé dans le produit est indiqué sur l'étiquette signalétique qui se trouve sur la paroi gauche à l'intérieur du réfrigérateur.



AVERTISSEMENT

Ne jamais jeter le produit au feu pour l'éliminer.

1.8 Pour les produits avec un distributeur d'eau/une machine à glaçons

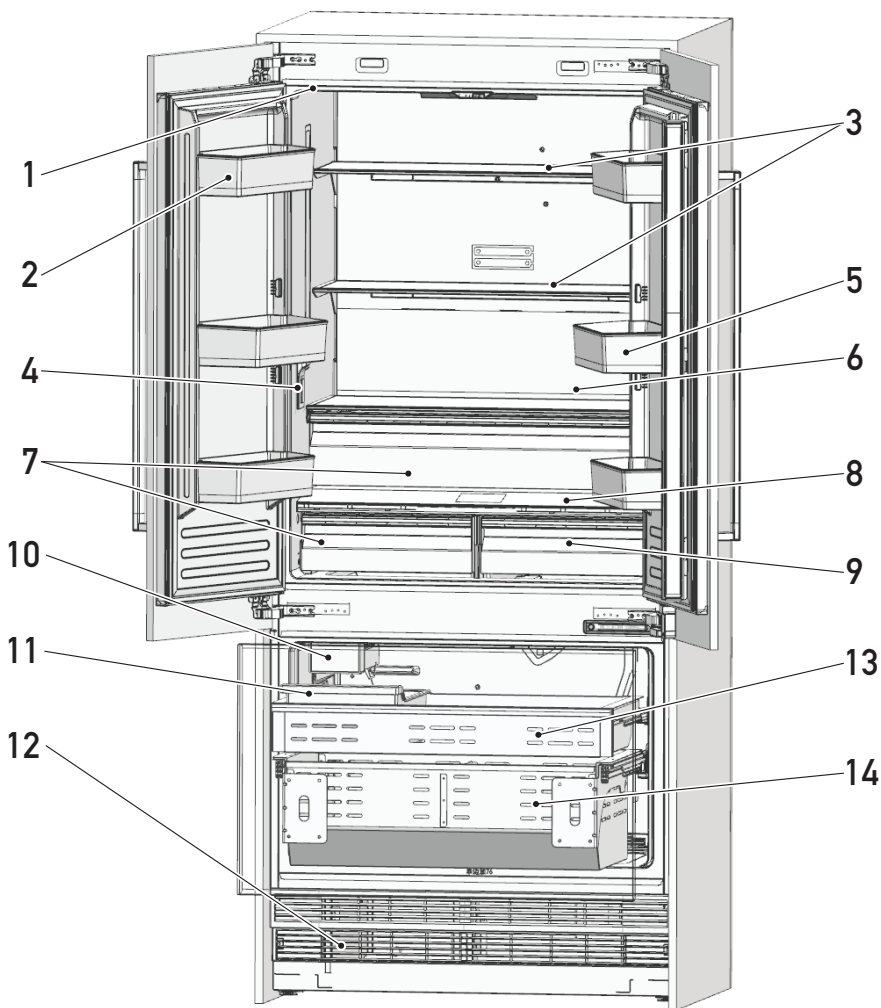
- > La pression de fonctionnement de l'arrivée d'eau froide est comprise entre 1,7 et 5,5 bar (25-80 psi). Si la pression de l'eau dépasse 5,5 bar (80 psi), installer une vanne de limitation de pression sur votre système principal.
- > Si la pression du réseau est inférieure à 1,7 bar (25 psi), il est possible d'utiliser une pompe auxiliaire pour compenser la basse pression.
- > Si l'utilisateur ne possède pas les connaissances nécessaires pour vérifier la pression de l'eau, consulter un plombier professionnel.
- > S'il existe un risque d'impact de jet d'eau dans l'installation, veiller à utiliser un équipement de protection contre les impacts de jet d'eau dans l'installation.
- > Consulter un plombier professionnel en cas de doute sur le risque d'impact d'un jet d'eau dans l'installation.
- > Ne pas faire l'installation sur l'entrée d'eau chaude.
- > Prendre les mesures nécessaires contre le risque de gel des tuyaux.
- > La plage de fonctionnement de la température de l'eau doit être comprise entre 1 °C (34 °F) minimum et 38 °C (100 °F) maximum.



AVERTISSEMENT

Ne jamais raccorder le produit à un réseau d'eau froide dont la pression est supérieure à 5,5 bar (80 psi).

2. LISTE DES COMPOSANTS DU RÉFRIGÉRATEUR

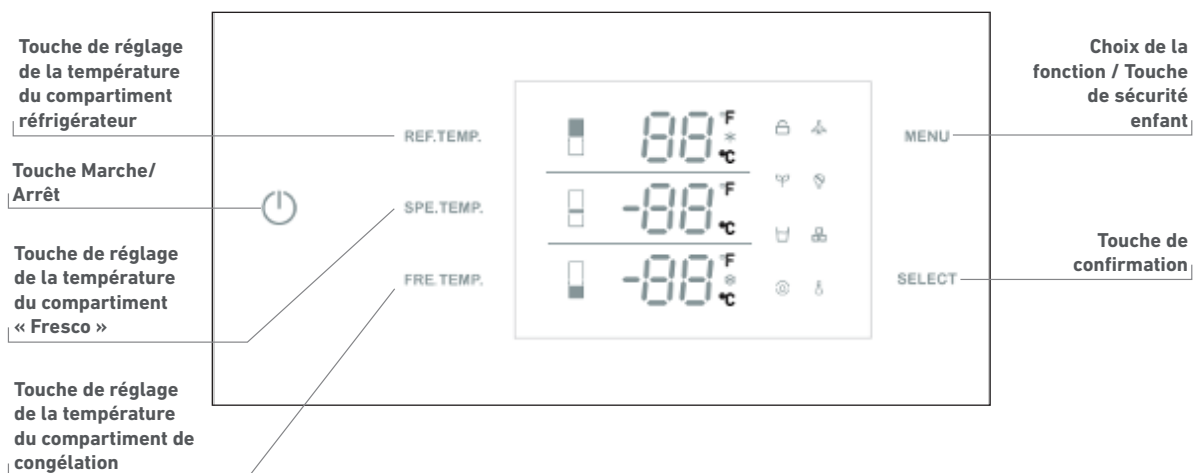


- 1) Filtre à eau (le cas échéant)
- 2) Balconnet
- 3) Clayette supérieure du réfrigérateur (hauteur réglable)
- 4) Distributeur d'eau
- 5) Balconnet extra large (hauteur réglable)
- 6) Filtre à odeurs
- 7) Bac à légumes
- 8) Écran de contrôle
- 9) Compartiment « Fresco »
- 10) Machine à glaçons (le cas échéant)
- 11) Compartiment congélation (le cas échéant)
- 12) Bac supérieur
- 13) Bac inférieur
- 14) Condenseur



Remarque

Les illustrations de ce manuel d'utilisation sont schématiques et peuvent ne pas correspondre exactement au produit. Si votre produit ne dispose pas des pièces correspondantes, les informations s'appliquent à d'autres modèles.



Remarque

Les illustrations de ce manuel d'utilisation sont schématiques et peuvent ne pas correspondre exactement au produit. Si votre produit ne dispose pas des pièces correspondantes, les informations s'appliquent à d'autres modèles.

3.1 Touche Marche/Arrêt

Cette touche sert à allumer et à éteindre l'ensemble de l'appareil. Appuyer sur le bouton pour allumer l'appareil ; il s'allumera après 5 secondes. Appuyer sur la touche marche/arrêt pendant 2 secondes pour éteindre l'appareil.

3.2 Choix de la fonction / Touche de sécurité enfant

La sécurité enfant est une fonction qui permet d'empêcher les enfants de modifier les paramètres du produit. En appuyant sur la touche MENU pendant 3 secondes, il est possible de verrouiller/déverrouiller le panneau de commande.

Le symbole de verrouillage s'allume sur l'écran lorsque cette fonction est activée.

3.3 Touche de réglage de la température du compartiment réfrigérateur

Appuyer sur la touche REF TEMP pour régler la température entre 2 °C (35 °F) et 8 °C (46 °F). La

température idéale pour le compartiment des aliments frais est de 4 °C (39 °F).

La fonction de Super réfrigération peut être activée en continuant d'appuyer sur la touche après 2 °C (35 °F). Le symbole « neige » s'allumera sur l'écran et la fonction sera activée. Le réfrigérateur fonctionnera à 2 °C (35 °F) pendant 24 heures. Après cela, la fonction s'arrêtera automatiquement et reviendra au réglage de température d'origine.

REMARQUE : Le réglage par défaut de la température est de 5 °C (41 °F) pour le compartiment réfrigérateur.

3.4 Touche de réglage de la température du compartiment « Fresco »

Appuyer sur la touche SPE TEMP pour modifier la température du compartiment spécial du réfrigérateur de -1 °C (30 °F) à 5 °C (41 °F).

REMARQUE : La température par défaut est de 2 °C (35 °F) pour le compartiment spécial du réfrigérateur.

3.5 Touche de réglage du compartiment de congélation

Appuyer sur la touche FRE TEMP pour modifier la température du compartiment de congélation de -15 °C (5 °F) à -24 °C (-11 °F).

La fonction de Super congélation sera activée si l'on continue d'appuyer sur cette touche après -24 °C (-11 °F). Lorsque le symbole « neige » s'allumera sur l'écran, la fonction de super congélation sera activée et le congélateur fonctionnera à -24 °C (-11 °F) pendant 24 heures. Après cela, la fonction s'arrêtera automatiquement et reviendra au réglage

3. INSTRUCTIONS DE CONFIGURATION DU PANNEAU D’AFFICHAGE

de température d’origine.



Remarque

La température par défaut est de -18 °C (0 °F) pour le compartiment de congélation.

3.6. Mode Vacances

Appuyer sur la touche MENU jusqu’à ce que le symbole de vacances s’allume, puis appuyer sur la touche SELECT pour activer la fonction. Lorsque le mode Vacances est activé, la température du réfrigérateur est automatiquement réglée à 17 °C (62 °F) et celle du congélateur à -18 °C (0 °F). Lorsque le mode Vacances est sélectionné, le système fonctionne en continu. Pour désactiver le mode Vacances, appuyer sur la touche MENU jusqu’à ce que le symbole de vacances s’allume, puis appuyer sur SELECT.



Remarque

Ne pas placer d’aliments dans le compartiment des aliments frais lorsque le mode Vacances est activé.

3.7. Mode Shabbat

Appuyer sur la touche MENU jusqu’à ce que le symbole du mode Shabbat s’allume, puis appuyer sur la touche SELECT pour activer la fonction. Lorsque le mode Shabbat est activé, toutes les lumières, les buzzers, les panneaux d’affichage s’éteignent. Pour désactiver le mode Shabbat, appuyer sur la touche MENU jusqu’à ce que le symbole du mode Shabbat s’illumine, puis appuyer sur la touche SELECT.

3.8. Mode Eco

Appuyer sur la touche MENU jusqu’à ce que le mode Eco s’allume, puis appuyer sur la touche SELECT pour activer la fonction. Lorsque le mode Eco est activé, la température du réfrigérateur est automatiquement réglée à 8 °C (46 °F) et celle du congélateur à -15 °C (5 °F). Pour désactiver le mode Eco, appuyer sur la touche MENU jusqu’à ce que le symbole Eco s’allume, puis appuyer sur SELECT.

3.9. Distributeur d’eau (si applicable)

Appuyer sur la touche MENU jusqu’à ce que le symbole du distributeur d’eau s’allume, puis appuyer sur la touche SELECT pour activer la fonction. Lorsque la fonction de distribution d’eau est activée, de l’eau fraîche peut être fournie par le distributeur installé sur la paroi interne.

3.10. Fabrication de glaçons (le cas échéant)

Appuyer sur la touche MENU jusqu’à ce que le symbole de fabrication de glaçons s’allume, puis appuyer sur la touche SELECT pour activer la fonction. Lorsque la fonction de fabrication de glaçons est activée, la machine à glaçons fonctionne automatiquement et les glaçons s’accumulent dans le bac à glaçons. La production de glaçons est d’environ 3,9 lbs/24 h.



Remarque

Préparer le filtre à eau avant d’utiliser la machine à glaçons. Après avoir raccordé le réfrigérateur à une source d’eau ou après avoir remplacé le filtre à eau, remplir et jeter deux récipients pleins de glaçons.

3.11. Remplacement du filtre à eau (le cas échéant)

Le symbole du filtre à eau sur l'interface utilisateur clignote et émet des bips pour conseiller à l'utilisateur de remplacer le filtre à eau. Le filtre à eau est situé à l'intérieur d'un boîtier en plastique placé dans le coin supérieur gauche du compartiment réfrigérateur.

- > Pour accéder au filtre, appuyez sur l'agrafe centrale du boîtier. La partie inférieure du boîtier s'ouvrira en la tournant de 45° vers le bas.
- > Pour retirer le filtre, tirez-le doucement vers le bas depuis l'arrière de la cartouche pour permettre une meilleure prise lors du retrait, puis maintenir fermement la base et faites pivoter le corps du filtre dans le sens inverse des aiguilles d'une montre. Ensuite, retirez-le doucement.
- > Pour installer le nouveau filtre, tenez fermement la base et insérez le filtre de remplacement, puis fixez-le en le tournant dans le sens des aiguilles d'une montre. Poussez l'arrière de la cartouche vers le haut jusqu'à ce qu'elle soit de niveau. Fermez enfin le boîtier du filtre en tournant la partie inférieure à 45° vers le haut en veillant à ce qu'elle s'enclenche sur l'agrafe centrale.
- > Une fois le remplacement terminé, appuyez sur la touche SELECT pendant 5 secondes pour réinitialiser le compteur du filtre. Le délai de remplacement est réglé sur 180 jours.

Le réfrigérateur est équipé d'un bouchon d'eau conçu pour remplacer le filtre à eau lorsqu'il est connecté à un système de traitement d'eau centralisé ou lorsque le filtre n'est pas utilisé. Si votre réfrigérateur est connecté à un tel système, retirez le filtre et installez le bouchon d'eau à sa place dans le boîtier du filtre.

Après 180 jours d'utilisation, une alarme sur l'interface utilisateur rappellera de réinitialiser le compteur de filtre, même lors de l'utilisation du bouchon d'eau.

3.12. Sélection des degrés Celsius et Fahrenheit

Appuyer sur la touche MENU jusqu'à ce que le symbole de sélection des degrés Celsius et Fahrenheit s'allume pour passer des degrés Celsius aux degrés Fahrenheit. Appuyer ensuite sur la touche SELECT pour confirmer.

3.13. Showroom Mode

Appuyez simultanément sur les touches MENU et FRE. TEMP pendant 3 secondes pour activer la fonction. Éteindre puis rallumer l'appareil désactive le mode Showroom.

Ce mode est utilisé lorsque le réfrigérateur est exposé dans un magasin ou lorsque vous souhaitez couper le refroidissement et désactiver toutes les autres fonctions, à l'exception de l'éclairage intérieur.



Note

Ne stockez aucun aliment lorsque le réfrigérateur est en mode showroom, car l'appareil reste alors à température ambiante.

4. AVANT D'UTILISER LE RÉFRIGÉRATEUR

4.1 Mesures à prendre pour économiser l'énergie



ATTENTION

Il est dangereux de connecter votre réfrigérateur à des systèmes d'économie d'énergie, car ils peuvent endommager le produit.

- > Ne pas laisser les portes de votre réfrigérateur ouvertes pendant une longue période.
- > Ne pas mettre d'aliments ou de boissons chaudes dans votre réfrigérateur.
- > Ne pas surcharger le réfrigérateur. La capacité de refroidissement diminue lorsque la circulation de l'air dans le réfrigérateur est entravée.
- > Ne pas placer le réfrigérateur dans des endroits exposés à la lumière directe du soleil. Installer le produit à une distance d'au moins 30 cm (12 ") des sources de chaleur telles que les plaques de cuisson, les fours, les appareils de chauffage et les cuisinières, et à une distance d'au moins 5 cm (2 ") des fours électriques.
- > Veiller à conserver vos aliments au réfrigérateur dans des récipients fermés.
- > Il est possible de retirer la clayette du bac du compartiment de congélation pour remplir le compartiment de congélation avec une quantité maximale d'aliments. La valeur de consommation d'énergie donnée du réfrigérateur a été déterminée avec la clayette du compartiment de congélation ou le bac retiré, et le réfrigérateur rempli avec la quantité maximale de nourriture. Il n'y a aucun inconvénient à utiliser une clayette ou un bac en fonction de la forme et de la taille des aliments à congeler.
- > La décongélation des aliments surgelés dans le compartiment réfrigérateur permet à la fois d'économiser de l'énergie et de préserver la qualité des aliments.



Remarque

La température de la pièce où se trouve votre réfrigérateur doit être d'au moins 10 °C (50 °F). Il n'est pas recommandé de faire fonctionner votre réfrigérateur dans des conditions plus froides pour des raisons d'efficacité.



Remarque

L'intérieur de votre réfrigérateur doit être soigneusement nettoyé.



Remarque

Si deux réfrigérateurs doivent être installés côte à côte, une distance d'au moins 4 cm (1 ½ ") doit les séparer.

4.2 Recommandations concernant le compartiment des aliments frais

- > Veiller à ce que les aliments ne touchent pas le capteur de température du compartiment des aliments frais. Pour permettre au compartiment des aliments frais de conserver sa température de stockage idéale, le capteur ne doit pas être gêné par des aliments.
- > Ne pas placer d'aliments ou de boissons chaudes à l'intérieur du produit.

4.3 Première utilisation

Avant d'utiliser le produit, s'assurer que tous les préparatifs ont été effectués conformément aux instructions données dans le chapitre « Instructions importantes concernant la sécurité et l'environnement » et le manuel d'installation.

- > Nettoyer l'intérieur du réfrigérateur comme recommandé dans la section « Entretien et nettoyage ». Avant de démarrer le réfrigérateur, s'assurer que l'intérieur est sec.
- > Brancher le réfrigérateur à une prise de courant reliée à la terre. L'éclairage intérieur s'allume lorsque la porte du réfrigérateur est ouverte.
- > Faites fonctionner le réfrigérateur pendant 6 heures sans y placer d'aliments et n'ouvrir sa porte que si cela est nécessaire.



Remarque

Un bruit est audible lorsque le compresseur se met en marche. Les liquides et les gaz scellés dans le système de réfrigération peuvent également émettre un bruit, même si le compresseur ne fonctionne pas, ce qui est tout à fait normal.



Remarque

Les bords à l'avant du réfrigérateur peuvent être chauds. C'est normal. Ces zones sont conçues pour être chaudes afin d'éviter la condensation.

5. UTILISATION DU PRODUIT

5.1 Système de double refroidissement

Votre réfrigérateur est équipé de deux systèmes de refroidissement distincts pour refroidir le compartiment des aliments frais et le compartiment de congélation.

Ainsi, l'air et les odeurs du compartiment des aliments frais et du compartiment des aliments congelés ne se mélangent pas.

Grâce à ces deux systèmes de refroidissement séparés, la vitesse de refroidissement est beaucoup plus rapide que celle des autres réfrigérateurs. De plus, cela assure une économie d'énergie supplémentaire puisque le dégivrage est effectué séparément.

5.2 Congélation des aliments frais

> Emballer les aliments ou les placer dans un récipient couvert avant de les mettre dans le réfrigérateur.

> Les aliments et boissons chauds doivent refroidir à la température ambiante avant d'être placés dans le réfrigérateur.

> Les aliments à congeler doivent être frais et de bonne qualité.

> Diviser les aliments en portions selon les besoins de consommation quotidiens ou par repas de votre famille.

> Emballer les aliments de manière hermétique pour éviter qu'ils ne sèchent, même s'ils sont conservés pendant une courte période.

> Les matériaux utilisés pour l'emballage doivent être résistants aux déchirures et au froid, à l'humidité, aux odeurs, aux huiles et aux acides et ils doivent également être étanches à l'air. De plus, ils doivent être correctement fermés, et être fabriqués à partir de matériaux faciles à utiliser et adaptés aux congélateurs.

> Les aliments congelés doivent être utilisés immédiatement après leur décongélation et ne doivent jamais être recongelés.

> Ne pas congeler de trop grandes quantités d'aliments en une seule fois. La qualité de l'aliment est mieux préservée lorsqu'il est congelé jusqu'au cœur le plus rapidement possible.

> Le fait de placer des aliments chauds dans le compartiment de congélation fait fonctionner le système de refroidissement en continu jusqu'à ce que l'aliment soit fermement congelé.

5.3 Recommandations pour la conservation des aliments congelés

> Les aliments achetés congelés doivent être conservés conformément aux conditions et à la température déterminées par le fabricant de l'aliment.

> Prendre note de ce qui suit afin de s'assurer de maintenir la qualité élevée obtenue par le fabricant de produits surgelés et le revendeur de produits alimentaires :

- 1.Placer les emballages dans le congélateur le plus rapidement possible après l'achat.
- 2.S'assurer que le contenu de l'emballage est étiqueté et daté.
- 3.Vérifier si la date limite de consommation ou la date limite d'utilisation optimale figurant sur l'emballage est dépassée ou non.

5.4 Placement des aliments

Compartiment	Aliments
Clayettes du compartiment de congélation	Divers aliments surgelés comme la viande, le poisson, la glace, les légumes, etc.
Bac à œufs	Œufs
Clayettes du compartiment réfrigérateur	Aliments dans des casseroles, des assiettes couvertes et des récipients fermés
Balconnets du compartiment réfrigérateur	Aliments ou boissons emballés de petite dimension (lait, jus de fruits, bière, etc.)
Bac à légumes	Légumes et fruits
Compartiment spécial du réfrigérateur	Produits d'épicerie fine (fromage, beurre, salami, etc.)

5.5 Température de fonctionnement

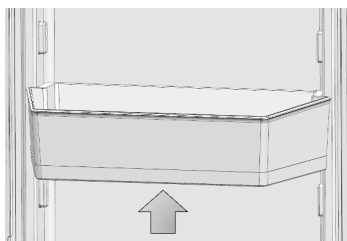
CONGÉLATEUR	RÉFRIGÉRATEUR	REMARQUES
-18 °C (0 °F)	4 °C (39 °F)	Il s'agit du réglage normal recommandé.
-20 °C (-4 °F)	3 °C (37 °F)	Ces réglages sont recommandés lorsque la température ambiante est supérieure à 30 °C (86 °F).
Super congélation	4 °C (39 °F)	À utiliser lorsque l'on souhaite congeler des aliments en peu de temps. Votre réfrigérateur reviendra à son mode précédent lorsque le processus sera terminé.
-24 °C (-11 °F)	2 °C (35 °F)	Utiliser ces réglages si l'on considère que le compartiment réfrigérateur n'est pas assez froid en raison de la chaleur ambiante ou de l'ouverture et de la fermeture fréquentes de la porte.
-18 °C (0 °F) ou plus froid	Super réfrigération	Utiliser cette fonction si le compartiment réfrigérateur est surchargé ou si l'on doit refroidir rapidement des aliments. Il est recommandé d'activer la fonction Super réfrigération 4 à 8 heures avant de placer les aliments

Température de fonctionnement recommandée :

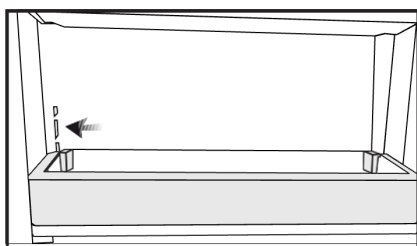
Réfrigérateur : 4 °C (39 °F) - Congélateur : -18 °C (0 °F).

5.6 Balconnets

Pour retirer un balconnet, le tenir par le bas, le soulever et le faire glisser vers l'extérieur. Voir la figure.



Pour régler la hauteur d'un balconnet, appuyer sur les boutons situés sur les côtés droit et gauche et les maintenir enfoncés pour régler le balconnet à la position souhaitée sans avoir à le retirer. Pour retirer le balconnet réglable, appuyer sur les boutons et les maintenir enfoncés, soulever complètement le balconnet et le tirer vers vous. Pour réinstaller le balconnet, le mettre en position sur la porte et le faire glisser vers le bas en appuyant sur les boutons. Voir la figure.



5.7 Clayettes en verre

La hauteur des clayettes en verre peut être réglée manuellement à l'aide de crochets arrière. Tenir les clayettes par le bas, soulever la partie avant et l'amener en position inclinée ; les languettes des crochets seront libérées et la clayette en verre se déplacera vers le haut et vers le bas.

Pour retirer une clayette

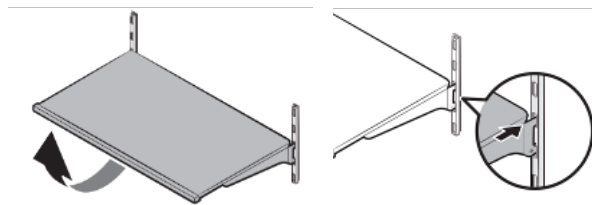
– Tenir l'avant de la clayette, puis la soulever doucement et la faire glisser.

Pour la remettre en place

– Tenir la clayette à un angle tel que l'avant soit plus haut que l'arrière, puis insérer le crochet supérieure dans l'encoche de la clayette supérieure.
– Abaisser légèrement l'avant.

Remarque

Faire preuve de prudence lors de la manipulation de clayettes en verre pour éviter de les casser ou de rayer l'intérieur.



ATTENTION

Les clayettes en verre doivent être vidées.

ATTENTION

Il est nécessaire d'attendre que les clayettes en verre atteignent la température ambiante avant de les plonger dans l'eau pour les nettoyer.

ATTENTION

La porte pourrait ne pas se fermer si les balconnets sont placés au même niveau que les clayettes en verre. S'assurer que la porte est correctement fermée après avoir placé les clayettes.

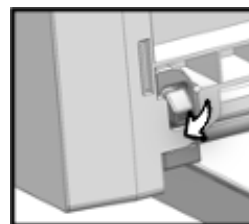
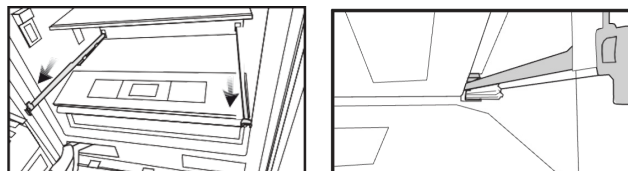
5.8 Bacs du réfrigérateur

Pour retirer un bac

– Tirer le bac jusqu'à ce qu'il s'arrête.
– Désenclencher légèrement la partie avant du bac et le sortir complètement.

Pour installer un bac

– Extraire complètement les rails.
– Positionner la fente située aux angles arrière du bac sur les composants situés au niveau des angles arrière des rails.
– Pousser lentement le bac vers le bas jusqu'à ce qu'il s'enclenche sur les rails à l'avant.





Remarque

S'assurer que les composants au niveau des côtés droit et gauche des rails sont solidement fixés lors de l'installation du bac.



Remarque

Ne jamais laisser les légumes dans leurs sacs en plastique dans le bac. S'ils sont laissés dans leurs sachets en plastique, ils pourriront en peu de temps.

Les bacs préservent l'humidité de vos légumes, ce qui permet de les conserver plus longtemps sans avoir à les garder dans leurs sachets.

Si l'on ne souhaite pas que les légumes entrent en contact avec d'autres légumes pour des raisons d'hygiène, utiliser du papier perforé, de la mousse ou un matériau similaire à la place des sachets en plastique.

Lors du rangement des légumes, il est nécessaire de tenir compte de leur poids spécifique. Les légumes lourds et durs doivent être placés au fond du bac et les légumes légers et mous doivent se trouver dans la partie supérieure.

Les poires, kiwis, tomates, concombres, abricots, pêches, brocolis, laitues, choux, persil et épinards sont des fruits et légumes qui émettent du gaz éthylène. Ne pas les placer dans le même bac à légumes que d'autres fruits et légumes. Le gaz éthylène émis par ces aliments fait mûrir les autres fruits et légumes plus tôt et les fait pourrir en moins de temps.

Ne pas retirer le corps principal du bac du réfrigérateur, sauf en cas de nécessité.

5.9 Compartiment «Fresco»

Il est possible de contrôler la température dans cette section pour stocker les aliments tels que le poisson, la viande, les légumes et les mets délicats comme le fromage et la charcuterie afin de mieux les conserver.



Remarque

Les procédures de retrait/installation du compartiment spécial du réfrigérateur sont les mêmes que celles des bacs du réfrigérateur.

5.10 Bacs du congélateur

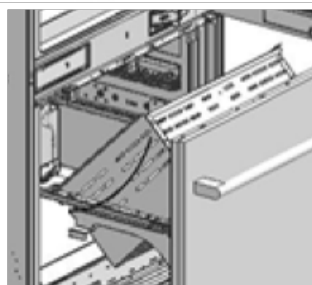
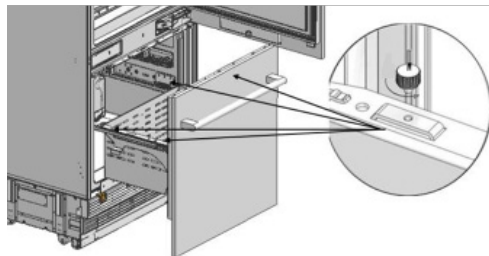
Le compartiment de congélation conserve vos aliments à une température comprise entre -24 °C (-11 °F) et -18 °C (0 °F) pour qu'ils restent frais plus longtemps.

Pour retirer le bac

- Ouvrir le bac du congélateur jusqu'à ce qu'il s'arrête.
- Dévisser la vis de fixation du bac et la retirer avec précaution.

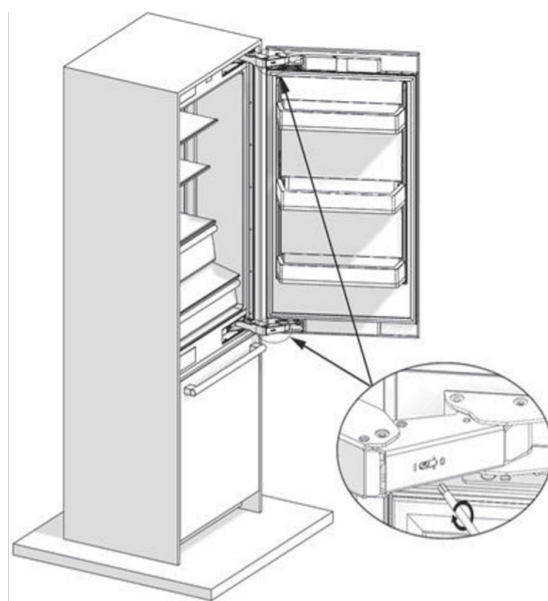
Pour installer le bac

- Ouvrir le bac du congélateur jusqu'à ce qu'il s'arrête.
- Abaisser lentement le bac à légumes et visser la vis de fixation du bac.



5.11 Réglage de la charnière

Lors du réglage de la fermeté de la charnière : La fermeté des charnières inférieures et supérieures de la porte du compartiment des aliments frais est effectuée à l'aide d'une perceuse. Régler la vis de réglage de la charnière de la position « 0 » à la position « 1 ».



5.12 Modification du sens de la porte

Consulter les instructions d'installation fournies avec le produit.

6. Entretien et nettoyage

La durée de vie du produit sera prolongée et les problèmes fréquemment rencontrés diminueront si le produit est nettoyé périodiquement.



AVERTISSEMENT

Éteindre le produit avant de le nettoyer.



AVERTISSEMENT

Il est recommandé de nettoyer le condenseur tous les six mois en utilisant des gants. Ne pas utiliser d'aspirateurs.

Ne jamais utiliser d'essence, de benzène ou de substances similaires pour le nettoyage.

Ne jamais utiliser d'instruments abrasifs tranchants, de savon, de produits d'entretien ménager, de détergent ou de cire à polir pour le nettoyage.

Dissoudre une cuillère à café de bicarbonate dans un demi-litre d'eau. Tremper un chiffon dans la solution et l'essorer soigneusement. Essuyer l'intérieur du réfrigérateur avec ce chiffon et sécher soigneusement.

Veiller à ce que l'eau ne pénètre pas dans le boîtier de la lampe ni dans les autres pièces électriques.

Si le réfrigérateur ne doit pas être utilisé pendant une longue période, le débrancher, retirer tous les aliments qui s'y trouvent, le nettoyer et laisser la porte entrouverte.

Vérifier régulièrement que les joints de la porte sont propres. Dans le cas contraire, les nettoyer.

Sortir tous les éléments du produit pour retirer les balconnets et clayettes du réfrigérateur.

Retirer les balconnets de la porte en les tirant vers le haut. Faire glisser les balconnets vers le bas pour les réinstaller après le nettoyage.

Ne jamais utiliser de produits de nettoyage ou d'eau chlorés pour nettoyer les surfaces extérieures ou les parties chromées du produit. Le chlore provoque l'abrasion des surfaces métalliques.

6.1 Éviter les mauvaises odeurs

Les matériaux susceptibles de provoquer des odeurs ne sont pas utilisés dans la production de nos réfrigérateurs. Cependant, des odeurs peuvent être produites si les aliments sont stockés de manière incorrecte ou si la surface intérieure du produit n'est pas nettoyée comme il se doit.

Tenir compte des points suivants pour éviter ce problème :

Il est important de garder le réfrigérateur propre. Les résidus d'aliments, les taches, etc. peuvent causer des odeurs. Pour cette raison, nettoyer

votre réfrigérateur avec du bicarbonate dissous dans de l'eau tous les 15 jours. Ne jamais utiliser de détergents ou de savon.

Conservé vos aliments dans des récipients fermés. Les micro-organismes émis par les récipients sans couvercle peuvent provoquer des odeurs désagréables.

Ne jamais conserver d'aliments périmés ou avariés dans votre réfrigérateur.

6.2. Protection des surfaces en plastique

Ne pas mettre d'huiles liquides ou de plats cuisinés à l'huile dans votre réfrigérateur dans des récipients non fermés, car ils endommagent les surfaces en plastique de votre réfrigérateur.

Si de l'huile est renversée ou étalée sur les surfaces en plastique, nettoyer et rincer immédiatement la partie concernée de la surface à l'eau chaude.

6.3 Nettoyage de la surface intérieure

Pour nettoyer les surfaces intérieures et toutes les parties amovibles, les laver avec une solution douce composée de savon, d'eau et de bicarbonate. Rincer et essuyer soigneusement.

Éviter que l'eau n'entre en contact avec les dispositifs d'éclairage et le panneau de commande.



ATTENTION

Ne pas utiliser de vinaigre, d'alcool à brûler ou d'autres produits de nettoyage à base d'alcool sur les surfaces intérieures.

6.4 Surfaces extérieures en acier inoxydable

Utiliser un produit de nettoyage pour l'acier inoxydable non abrasif et l'appliquer avec un chiffon doux non pelucheux.

Pour le polissage, essuyer délicatement la surface avec un chiffon en microfibres humide et utiliser un cuir de lavage sec.

Toujours suivre le grainage de l'acier inoxydable.

7. RÉOLUTION DES PROBLÈMES

7. Résolution des problèmes

Consulter cette liste avant d'appeler le service après-vente. Cela permettra d'économiser du temps et de l'argent. Cette liste contient des problèmes fréquemment rencontrés qui ne sont pas le résultat d'un défaut de fabrication ou d'usure des matériaux. Il se peut que le produit ne possède pas certaines des caractéristiques décrites ici.

Le réfrigérateur ne fonctionne pas

- Il se peut qu'il ne soit pas branché correctement.
 - > Brancher le produit correctement.
- Le fusible de la prise à laquelle votre réfrigérateur est connecté ou le fusible principal est peut-être défectueux.
 - > Vérifier le fusible.

Il y a de la condensation dans le compartiment réfrigérateur

- La porte peut avoir été fréquemment ouverte/fermée.
 - > Ne pas ouvrir/fermer fréquemment la porte du réfrigérateur.
- L'environnement est peut-être trop humide.
 - > Ne pas installer le réfrigérateur dans des endroits où le taux d'humidité est très élevé.
- Des aliments contenant du liquide peuvent avoir été placés dans le réfrigérateur dans des récipients sans couvercle.
 - > Ne pas placer d'aliments contenant du liquide dans le réfrigérateur dans des récipients non hermétiquement fermés.
- La porte du réfrigérateur peut avoir été laissée entrouverte.
 - > Ne pas garder les portes de votre réfrigérateur ouvertes pendant une longue période.

Le compresseur ne fonctionne pas

- Le protecteur de surcharge thermique du compresseur arrêtera le compresseur en cas de panne de courant soudaine ou lorsque l'appareil est débranché puis rebranché, car la pression du réfrigérant dans le système de refroidissement du réfrigérateur n'a pas encore été équilibrée.
- Le réfrigérateur commencera à fonctionner environ 6 minutes plus tard. Appeler le fournisseur de services agréé si le réfrigérateur ne démarre pas à l'issue de cette période.
- Le congélateur est en cycle de dégivrage. >>>C'est un processus normal pour un réfrigérateur qui effectue un dégivrage entièrement automatique. Le cycle de dégivrage est effectué périodiquement.
- Il se peut que le réfrigérateur ne soit pas branché.
 - > Vérifier que la fiche est adaptée à la prise.
- Le réglage de la température est peut-être

incorrect.

- > Sélectionner la valeur de température adéquate.
- Coupure d'alimentation possible.
 - > Le réfrigérateur commencera à fonctionner normalement lorsque l'alimentation sera rétablie.

Le bruit de fonctionnement augmente lorsque le réfrigérateur est en marche

Les performances de fonctionnement du réfrigérateur peuvent varier en fonction des changements de température ambiante. Ce phénomène est normal et ne constitue pas un défaut.

Vibration ou bruit

- Le sol n'est peut-être pas stable ou à niveau.
 - > Si le réfrigérateur oscille lorsqu'il est déplacé, ajuster le pied pour l'équilibrer. S'assurer que le sol est à niveau et qu'il peut supporter le réfrigérateur.
- Des objets placés sur le réfrigérateur peuvent être à l'origine du bruit.
 - > Retirer les objets placés sur le réfrigérateur.

Des bruits, comme des déversements ou des projections de liquide, proviennent du réfrigérateur

- Les flux de liquide et de gaz se produisent conformément aux principes de fonctionnement du réfrigérateur. Ce phénomène est normal et ne constitue pas un défaut.

Le réfrigérateur émet un sifflement

- Des ventilateurs sont utilisés pour refroidir le réfrigérateur. Ce phénomène est normal et ne constitue pas un défaut.

L'humidité s'accumule sur les parois intérieures du réfrigérateur

- Un temps chaud et humide augmente la formation de givre et de condensation. Ce phénomène est normal et ne constitue pas un défaut.
- Les portes peuvent avoir été ouvertes fréquemment ou laissées entrouvertes pendant une longue période.
 - > Ne pas ouvrir fréquemment la porte. Fermer les portes, si elles sont ouvertes.
- Il est possible que la porte ait été laissée entrouverte.
 - > Fermer complètement la porte.

De l'humidité est présente sur la surface extérieure du réfrigérateur ou entre les portes

- L'air peut être humide. Ce phénomène est tout à fait normal par temps humide.
 - > La condensation disparaîtra lorsque le taux d'humidité diminuera.
- De la condensation externe peut être présente au niveau de la section entre les deux portes du

réfrigérateur si le produit est rarement utilisé. C'est normal. La condensation disparaîtra en cas d'utilisation fréquente.

Il y a une odeur désagréable à l'intérieur du réfrigérateur

- Un nettoyage régulier n'a peut-être pas été effectué.
 - > Nettoyer l'intérieur du réfrigérateur avec une éponge, de l'eau tiède ou de l'eau à base de bicarbonate.
- Certains récipients ou matériaux d'emballage peuvent être à l'origine de l'odeur.
 - > Utiliser un autre récipient, ou des matériaux d'emballage d'une autre marque.
- Les aliments peuvent avoir été placés dans le réfrigérateur dans des récipients sans couvercle.
 - > Ranger les aliments dans des récipients fermés. Les micro-organismes émis par les récipients sans couvercle peuvent provoquer des odeurs désagréables.
- Retirer les aliments périmés ou avariés du réfrigérateur.

La porte ne se ferme pas

- Les emballages des aliments peuvent empêcher la fermeture de la porte.
 - > Repositionner les paquets qui obstruent la porte.
- Le réfrigérateur est peut-être instable sur le sol.
 - > Régler les pieds du réfrigérateur selon les besoins pour que le réfrigérateur soit en équilibre.
- Le sol peut ne pas être à niveau ou solide.
 - > S'assurer que le sol est à niveau et qu'il peut supporter le réfrigérateur.

Le bac à légumes est coincé

- Les aliments peuvent toucher la paroi supérieure du bac à légumes.
 - > Réorganiser les aliments dans le bac à légumes.



AVERTISSEMENT

Si le problème ne peut pas être éliminé alors même que les instructions de cette section ont été correctement suivies, consulter le revendeur ou un prestataire de services agréé. Ne jamais essayer de réparer un produit défectueux.

8. SERVICE CLIENTÈLE

Pour toute information sur la garantie et demande de service, contactez-nous :



Aux États-Unis :

<https://us.bertazzoni.com/more/support>

Au Canada :

<https://ca.bertazzoni.com/more/support>

1. INSTRUCCIONES IMPORTANTES REFERENTES A LA SEGURIDAD Y EL MEDIO AMBIENTE	38
1.1 Seguridad general.....	38
1.2 Uso previsto.....	39
1.3 Seguridad de los niños.....	39
1.4 Conformidad con la Directiva RAEE y eliminación del producto desechado.....	39
1.5 Conformidad con la Directiva RoHS.....	39
1.6 Información sobre el embalaje.....	40
1.7 Advertencia sobre hidrocarburos (HC).....	40
1.8 Para los productos con un dispensador de agua/máquina de hielo.....	40
2. LISTADO DE COMPONENTES DEL REFRIGERADOR	41
3. INSTRUCCIONES DE CONFIGURACIÓN DEL PANEL DE VISUALIZACIÓN	42
3.1 Botón de encendido/apagado (On/Off).....	42
3.2 Selección de funciones / Botón de bloqueo infantil.....	42
3.3 Botón de ajuste de la temperatura del compartimento refrigerador.....	42
3.4 Botón de ajuste de la temperatura del compartimento «Fresco».....	42
3.5 Botón de ajuste del compartimento congelador.....	42
3.6. Modo vacaciones.....	43
3.7. Modo Sabbath.....	43
3.8. Modo Eco.....	43
3.9. Dispensador de agua (si procede).....	43
3.10. Máquina de hielo (si procede).....	43
3.11. Sustitución del filtro de agua (si procede).....	44
3.12. Selección entre grados Celsius y Fahrenheit.....	44
3.13. Modo Showroom.....	44
4. ANTES DE USAR EL REFRIGERADOR	45
4.1 Consejos para ahorrar energía.....	45
4.2 Recomendaciones sobre el compartimento de alimentos frescos.....	45
4.3 Uso inicial.....	45
5. FUNCIONAMIENTO DEL PRODUCTO	46
5.1 Sistema de refrigeración doble.....	46
5.2 Congelar alimentos frescos.....	46
5.3 Recomendaciones para almacenar alimentos congelados.....	46
5.4 Colocación de los alimentos.....	47
5.5 Temperatura de funcionamiento.....	47
5.6 Contenedores en puerta.....	48
5.7 Estantes de vidrio.....	48
5.8 Cajones del refrigerador.....	48
5.9 Compartimento «Fresco».....	49
5.10 Cajones del congelador.....	49
5.11 Ajuste de las bisagras.....	49
5.12 Cambiar el sentido de apertura de la puerta.....	49
6. MANTENIMIENTO Y LIMPIEZA	50
6.1 Prevenir olores desagradables.....	50
6.2. Protección de las superficies de plástico.....	50
6.3 Limpieza de la superficie interna.....	50
6.4 Superficies externas de acero inoxidable.....	50
7. RESOLUCIÓN DE PROBLEMAS	51
8. ATENCIÓN AL CLIENTE	53

1. INSTRUCCIONES IMPORTANTES REFERENTES A LA SEGURIDAD Y EL MEDIO AMBIENTE

Este manual le ayudará a utilizar su electrodoméstico de forma rápida y segura.

- > Lea detenidamente este manual del usuario antes de instalar y utilizar el producto.
- > Siga siempre las instrucciones de seguridad aplicables.
- > Conserve el manual del usuario en un lugar de fácil acceso para futuras consultas.
- > Lea también el resto de documentos que se entregan con el producto.

Recuerde que este manual puede hacer referencia a varios modelos de producto.

Este manual indica explícitamente las diferencias entre diferentes modelos.



ATENCIÓN

Riesgo de lesiones y daños a la propiedad.



Nota

Información importante y consejos útiles.



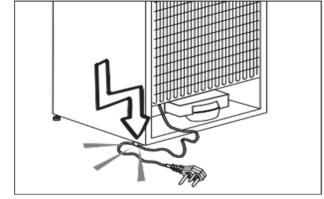
Los materiales de embalaje de este producto se han fabricado a partir de materiales reciclables de conformidad con la Normativa Nacional sobre Medio Ambiente.

El presente capítulo contiene información sobre seguridad que le ayudará a evitar el riesgo de lesión personal o daños a la propiedad. La garantía del producto quedará anulada si no se siguen estas instrucciones.

1.1 Seguridad general

- > Este producto lo pueden utilizar niños a partir de 8 años y personas con discapacidad física, sensorial o mental y personas que no tengan experiencia e información suficientes, siempre y cuando hayan recibido instrucciones para la utilización segura del producto, que se encuentren bajo supervisión y que se hayan eliminado los riesgos. Los niños no deben jugar con el producto. Los niños no deben encargarse de la limpieza y el mantenimiento, salvo que lo hagan bajo la supervisión de un adulto.
- > Desenchufe el producto si detecta algún fallo durante el uso.
- > Si el producto no funciona bien, no lo ponga en marcha hasta que lo haya reparado un servicio técnico autorizado. ¡Riesgo de descarga eléctrica!

- > Enchufe el producto a una toma de tierra protegida por un fusible que corresponda al valor que figura en su placa de características. El producto no se debe enchufar a una toma con protección GFCI. Pida a un electricista cualificado que conecte el producto a una toma de tierra. Nuestra compañía no será responsable de los daños y perjuicios que se deriven de no usar el producto conectándolo a una toma de tierra conforme con la normativa local.



- > Desenchufe el producto cuando no esté en uso.
- > ¡Nunca lave el producto rociando o echándole agua encima! ¡Riesgo de descarga eléctrica!
- > ¡Nunca toque el enchufe con las manos húmedas!
- > Nunca desenchufe el producto tirando del cable. Sujete siempre la toma con una mano y tire del enchufe con la otra para sacarlo.
- > No enchufe el refrigerador si la toma de pared está floja.
- > Nunca conecte el refrigerador a dispositivos de ahorro energético. Estos sistemas son perjudiciales para el producto.
- > Desenchufe el producto durante los procedimientos de instalación, mantenimiento, limpieza y reparación.
- > Pida siempre al **Servicio Técnico Autorizado** que instale el producto y una las conexiones eléctricas. El fabricante no será responsable de los daños y perjuicios que se deriven de procedimientos realizados por personas no autorizadas.
- > ¡No ingiera polos ni cubitos de hielo recién sacados del compartimento congelador! ¡Puede sufrir quemaduras por congelación en la boca!
- > ¡No toque alimentos congelados con las manos húmedas! ¡Pueden pegársele a las manos!
- > No meta bebidas líquidas en botellas o latas dentro del compartimento congelador. ¡Pueden explotar!
- > Nunca utilice vapor ni limpiadoras de vapor para limpiar o descongelar el refrigerador. ¡El vapor entra en contacto con las partes bajo tensión del refrigerador, provocando cortocircuitos o electrocución!
- > No utilice dispositivos mecánicos ni otros medios para acelerar el proceso de descongelación que no sean los recomendados por el fabricante.
- > Nunca utilice ciertas partes del refrigerador, como la puerta y el cajón, como soporte o como escalón. Esto puede hacer que el producto vuelque o dañe sus piezas.
- > No dañe las partes del producto por donde circula el refrigerante con las herramientas de corte o perforación. El refrigerante que puede escaparse

al perforar las tuberías de gas del evaporador, las extensiones de la tubería o los revestimientos superficiales provoca irritaciones en la piel y lesiones oculares.

- > No cubra ni bloquee las aberturas de ventilación del refrigerador con ningún objeto.
- > Coloque la bebida con más graduación bien cerrada y en vertical.
- > ¡No utilice pulverizadores con gas cerca del producto porque existe riesgo de incendio o explosión!
- > Los artículos o productos inflamables que contienen gases inflamables (por ejemplo, sprays) y materiales explosivos no deben guardarse nunca dentro del electrodoméstico.
- > No meta recipientes llenos de líquido en el producto. Las salpicaduras de agua sobre una pieza eléctrica pueden provocar electrocución o incluso incendios.
- > No guarde artículos que requieran un ajuste preciso de la temperatura (como vacunas, medicación sensible al calor, material científico, etc.) en el refrigerador.
- > Si no tiene previsto utilizar el producto durante un periodo de tiempo prolongado, desenchúfelo y saque la comida que haya dentro.
- > Si hay una luz azul en el refrigerador, no mire a esta luz con herramientas ópticas.
- > Exponer este producto a la lluvia, la nieve, el sol o el viento es peligroso en términos de seguridad eléctrica.
- > En productos con control mecánico (termostato), espere 5 minutos para volver a enchufar el producto después de desenchufarlo.
- > No sobrecargue el refrigerador. Los objetos en el refrigerador se pueden caer al abrir la puerta, provocando lesiones o daños. Pueden producirse problemas similares si se pone algún objeto encima del producto.
- > Si el producto tiene un tirador en la puerta, no tire de él para reubicar el producto en otra parte. El tirador puede estar flojo.
- > Tenga cuidado para no pillarse la mano ni ninguna otra parte del cuerpo en las partes móviles del refrigerador.
- > No meta la mano ni ningún otro material extraño en la máquina de hielo mientras esté en funcionamiento.

1.2 Uso previsto

- > Este producto se ha diseñado para un uso doméstico. No es apto para uso comercial y no se debe utilizar para otros fines distintos de su uso

previsto.

- > Solo debe usarse para almacenar comida.
- > El fabricante no asume ninguna responsabilidad por daños y perjuicios derivados de un uso o transporte inadecuados.
- > Los recambios originales permanecen disponibles durante 10 años desde la fecha de compra del producto.

1.3 Seguridad de los niños

- > Si hay un candado en la puerta del producto, la llave deberá mantenerse fuera del alcance de los niños.
- > No permita que los niños jueguen con el producto.



PELIGRO:

Antes de deshacerse de su antiguo refrigerador o congelador:

- Los niños pueden quedarse encerrados dentro.
- Quite las puertas.
- Deje los estantes para evitar que los niños se metan dentro del producto con facilidad.

1.4 Conformidad con la Directiva RAEE y eliminación del producto desechado



Este producto es conforme con la Directiva RAEE de la UE (2012/19 UE). Este producto exhibe un símbolo de clasificación para los residuos de aparatos eléctricos y electrónicos (RAEE). Este productos se ha fabricado

a partir de piezas y materiales de alta calidad reutilizables y reciclables. Por lo tanto, no deseche el producto con los residuos domésticos normales ni con otros desechos al final de su vida útil. Llévelo a un centro de recogida para reciclar los equipos eléctricos y electrónicos. Consulte a las autoridades locales para descubrir dónde se encuentran dichos centros de recogida.

1.5 Conformidad con la Directiva RoHS

La unidad que usted ha adquirido es conforme con la Directiva RoHS de la UE (2011/65/UE). No contiene ninguno de los materiales nocivos ni prohibidos especificados en la Directiva.

1.6 Información sobre el embalaje

Los materiales de embalaje del producto se han fabricado a partir de materiales reciclables de conformidad con nuestra Normativa Nacional sobre Medio Ambiente. No deseche los materiales de embalaje con los residuos domésticos normales u otros tipos de residuos. Lleve estos materiales a un punto de reciclaje designado por las autoridades locales.



PELIGRO:

Riesgo de incendio o explosión:

- Este producto utiliza un refrigerante inflamable.
- No utilice dispositivos mecánicos para descongelar el refrigerador.
- No utilice sustancias químicas para limpiarlo.
- No perfora la tubería del refrigerante.
- Si la tubería del refrigerante se perfora, deberá repararla solamente personal de mantenimiento acreditado.
- Consulte el manual de reparación/manual del usuario antes de limpiar del producto. Siga todas las instrucciones de seguridad.
- Deseche el producto de acuerdo con la normativa regional o local.

1.7 Advertencia sobre hidrocarburos (HC)

El sistema de refrigeración de su producto contiene R600a: este gas es inflamable. Por lo tanto, tenga cuidado para no dañar el sistema de refrigeración ni las tuberías durante el uso o el transporte. Si se daña, mantenga el producto lejos de posibles fuentes de ignición que puedan incendiarlo y ventile la habitación donde se encuentra el producto.



Nota

Si el producto se daña y usted detecta alguna fuga de gas, manténgase alejado del gas. Puede provocar quemaduras por congelación al entrar en contacto con la piel.



Nota

El tipo de gas que se utiliza en el producto se indica en la etiqueta de clasificación que se encuentra en la pared izquierda, dentro del refrigerador.



ADVERTENCIA

Nunca quemee el producto para desecharlo.

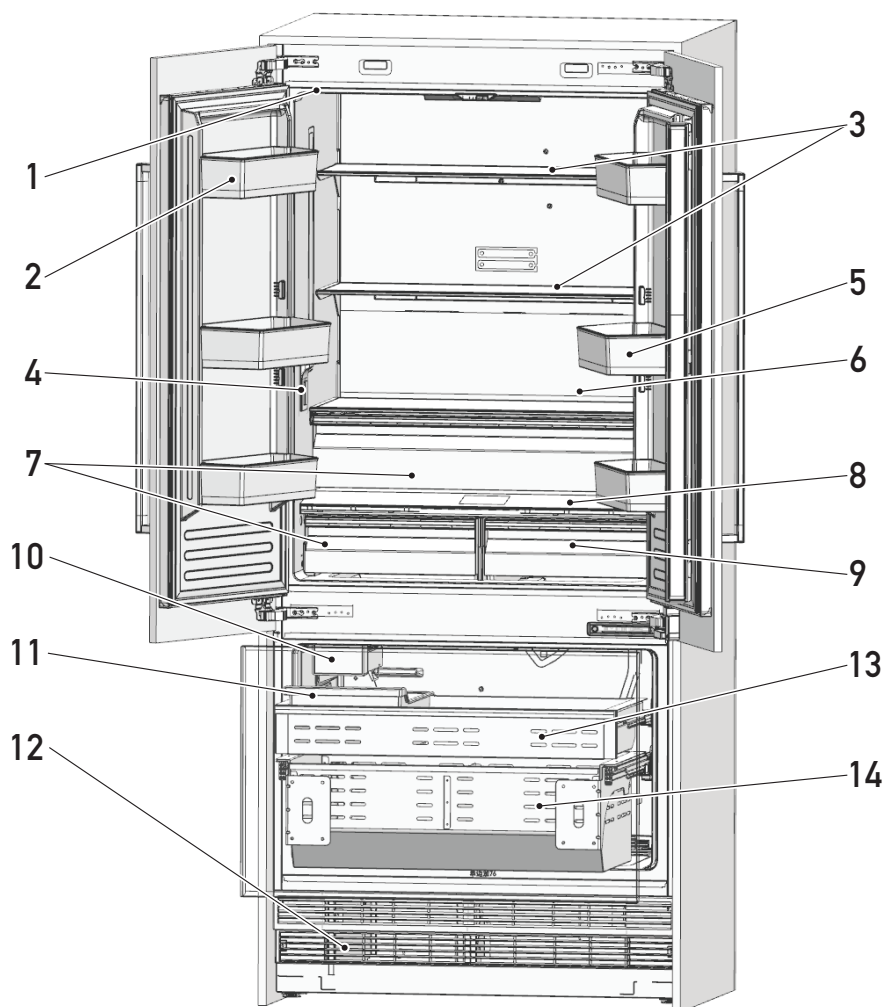
1.8 Para los productos con un dispensador de agua/máquina de hielo

- > La presión de trabajo de la entrada de agua fría está entre 25-80 psi (1,7-5,5 bar). Si la presión del agua supera los 80 psi (5,5 bar), instale una válvula limitadora de la presión en su sistema de alimentación.
- > Si la presión de la red es inferior a 25 psi (1,7 bar), puede usar una bomba auxiliar para compensar la baja presión.
- > Si no sabe cómo comprobar la presión del agua, consulte a un fontanero profesional.
- > Si existe un riesgo de impacto de chorro de agua en su instalación, utilice siempre un equipo de protección frente al impacto de chorro de agua en esa instalación.
- > Consulte a un fontanero profesional si no está seguro de si existe impacto de chorro de agua en su instalación.
- > No instale nada en la entrada de agua caliente.
- > Tome las medidas necesarias para evitar el riesgo de congelación de los latiguillos.
- > El rango operativo de la temperatura del agua debe ser de 34 °F (1 °C) como mínimo, y de 100 °F (38 °C) como máximo.



ADVERTENCIA

Nunca conecte el producto a una red de agua fría con una presión superior a 80 psi (5,5 bar).



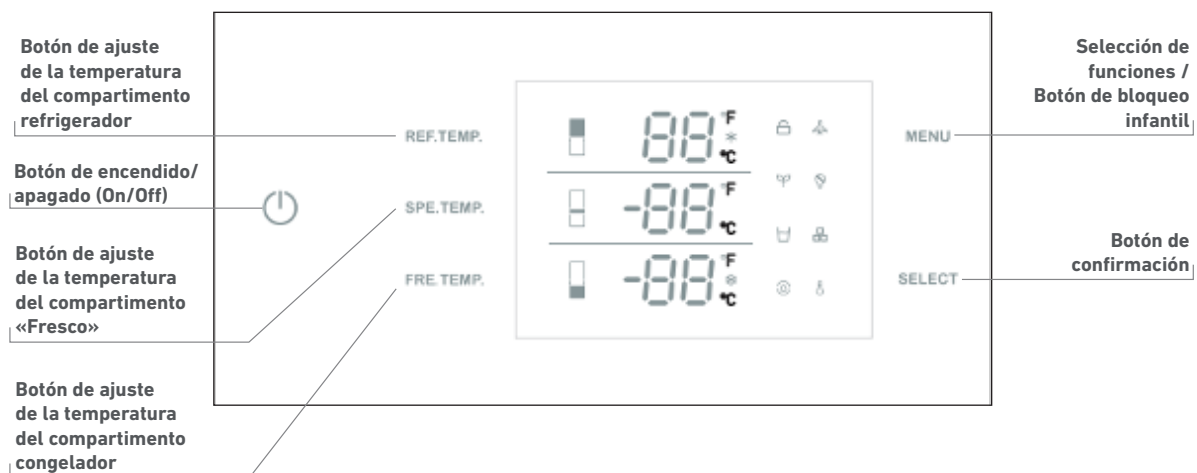
- 1) Filtro de agua (si procede)
- 2) Contenedor en puerta
- 3) Estante/s superiores del frigorífico (ajustable en altura)
- 4) Dispensador de agua
- 5) Contenedor en puerta para recipientes grandes (ajustable en altura)
- 6) Filtro de olores
- 7) Cajón para verduras
- 8) Pantalla de control
- 9) Compartimento Fresco
- 10) Máquina de hielo (si procede)
- 11) Cubitera (si procede)
- 12) Cajón superior
- 13) Cajón inferior
- 14) Condensador



Nota

Las figuras que se incluyen en este manual del usuario son esquemáticas y puede que no coincidan exactamente con el producto. Si su producto no tiene las piezas pertinentes, la información corresponde a otros modelos.

3. INSTRUCCIONES DE CONFIGURACIÓN DEL PANEL DE VISUALIZACIÓN



Nota

Las figuras que se incluyen en este manual del usuario son esquemáticas y puede que no coincidan exactamente con el producto. Si su producto no tiene las piezas pertinentes, la información corresponde a otros modelos.

3.1 Botón de encendido/apagado (On/Off)

Sirve para encender y apagar todo el electrodoméstico (On/Off). Pulse el botón para encender el producto, el producto se encenderá en 5 segundos. Pulse el botón (On/Off) durante 2 segundos para apagarlo.

3.2 Selección de funciones / Botón de bloqueo infantil

El bloqueo infantil es una función que evita que los niños modifiquen la configuración del producto. Pulsando el botón MENU durante 3 segundos se puede bloquear/desbloquear el panel de control. El símbolo de bloqueo se iluminará en la pantalla cuando esta función esté activada.

3.3 Botón de ajuste de la temperatura del compartimento refrigerador

Pulse el botón REF TEMP para ajustar la temperatura de 35 °F (2 °C) a 46 °F (8 °C). La temperatura óptima para el

compartimento de alimentos frescos es de 39 °F (4 °C). La función Super Cool se puede activar si se sigue pulsando el botón después de llegar a los 35 °F (2 °C). El símbolo de la «nieve» se iluminará en la pantalla cuando esta función esté activada. El refrigerador funcionará a 35 °F (2 °C) durante 24 horas. Después de eso, la función se desactivará automáticamente y volverá la configuración de temperatura original.

NOTA: La temperatura ajustada por defecto es de 41 °F (5 °C) para el compartimento refrigerador.

3.4 Botón de ajuste de la temperatura del compartimento «Fresco»

Pulse el botón SPE TEMP para cambiar la temperatura del compartimento refrigerador especial de 30 °F (-1 °C) a 41 °F (5 °C).

NOTA: La temperatura ajustada por defecto es de 35 °F (2 °C) para el compartimento refrigerador especial.

3.5 Botón de ajuste del compartimento congelador

Pulse el botón FRE TEMP para cambiar la temperatura del compartimento refrigerador de 5 °F (-15 °C) a -11 °F (-24 °C).

La función Super Freeze estará activada si se sigue pulsando el botón después de los -11 °F (-24 °C). Cuando el símbolo de la «nieve» se ilumine en la pantalla, la función Super Freezer estará activada y el congelador funcionará a -11 °F (-24 °C) durante 24 horas. Después de eso, la función se desactivará automáticamente y volverá la configuración de temperatura original.

**Nota**

La temperatura ajustada por defecto es de 0°F (-18°C) para el compartimento congelador.

3.6. Modo vacaciones

Pulse el botón MENU hasta que se ilumine el símbolo de vacaciones, a continuación, pulse el botón SELECT para activar la función. Cuando la función «Modo vacaciones» se activa, la temperatura del refrigerador se pondrá a 62 °F (17 °C) y la temperatura del congelador se ajustará a 0 °F (-18 °C) automáticamente. Al seleccionar el «Modo vacaciones», el sistema funcionará de forma continua. Para desactivar el «Modo vacaciones», pulse el botón MENU hasta que el símbolo de vacaciones se ilumine, luego pulse SELECT.

**Nota**

No meta alimentos en el compartimento de alimentos frescos cuando el «Modo vacaciones» esté activado.

3.7. Modo Sabbath

Pulse el botón MENU hasta que se ilumine el símbolo del modo Sabbath, a continuación, pulse el botón SELECT para activar la función. Cuando la función «Modo Sabbath» esté activada, todas las luces, indicadores acústicos y paneles de visualización se apagarán. Para desactivar el «Modo Sabbath», pulse el botón MENU hasta que el símbolo del Sabbath se ilumine, luego pulse SELECT.

3.8. Modo Eco

Pulse el botón MENU hasta que se ilumine el símbolo del «Modo Eco», a continuación, pulse el botón SELECT para activar la función. Cuando la función «Modo Eco» se activa, la temperatura del refrigerador se pondrá a 46 °F (8 °C) y la temperatura del congelador se ajustará a 5 °F (-15 °C) automáticamente. Para desactivar el «Modo Eco», pulse el botón MENU hasta que el símbolo Eco se ilumine, luego pulse SELECT.

3.9. Dispensador de agua (si procede)

Pulse el botón MENU hasta que se ilumine el símbolo del dispensador de agua, a continuación, pulse el botón SELECT para activar la función. Cuando la función del dispensador de agua está activada, el dispensador empotrado en la pared interna puede suministrar agua potable.

3.10. Máquina de hielo (si procede)

Pulse el botón MENU hasta que se ilumine el símbolo de la máquina de hielo, a continuación, pulse el botón SELECT para activar la función. Cuando la función de la máquina de hielo está activada, esta se pondrá en marcha automáticamente y los cubitos de hielo se acumularán en la cubitera. La producción de hielo es de 3,9 lb/24 horas.

**Nota**

Prepare el filtro de agua para usarlo antes de utilizar el hielo. Después de conectar el refrigerador a una fuente de agua o después de sustituir el filtro de agua, llene y deseche dos cubiteras completas.

3. INSTRUCCIONES DE CONFIGURACIÓN DEL PANEL DE VISUALIZACIÓN

3.11. Sustitución del filtro de agua (si procede)

El símbolo del filtro de agua en la interfaz del usuario parpadea y emite un pitido para avisar al usuario de que tiene que sustituir el filtro de agua. El filtro de agua se encuentra dentro de una carcasa de plástico situada en la esquina superior izquierda del compartimento del refrigerador.

- Para acceder al filtro, presione sobre el clip central de la carcasa. La parte inferior de la carcasa se abrirá girándola 45° hacia abajo.
- Para extraer el filtro, tire con cuidado de él hacia abajo desde la parte posterior del cartucho para permitir un mejor agarre y, a continuación, sujete firmemente la base y gire el cuerpo del filtro en sentido antihorario. A continuación, tire de él.
- Para instalar el nuevo filtro, sujete firmemente la base e inserte el filtro de repuesto; a continuación, fíjelo girándolo en sentido horario. Empuje la parte posterior del cartucho hacia arriba hasta que quede nivelado. Por último, cierre la carcasa del filtro girando la parte inferior 45° hacia arriba, asegurándose de que encaje en el clip central.
- Una vez finalizada la sustitución, reinicie el contador del filtro manteniendo pulsado el botón SELECT durante 5 segundos. La frecuencia de sustitución configurada por defecto es de 180 días.

El refrigerador viene equipado con un tapón de agua diseñado para sustituir al filtro de agua cuando se conecta a un sistema centralizado de tratamiento de agua o cuando no se utiliza el filtro. Si su refrigerador está conectado a un sistema de este tipo, retire el filtro e instale el tapón de agua en su lugar dentro de la carcasa del filtro.

Después de 180 días de uso, una alarma en la interfaz del usuario le recordará que ponga a cero el contador del filtro, incluso cuando utilice el tapón de agua.

3.12. Selección entre grados Celsius y Fahrenheit

Pulse el botón MENU hasta que el símbolo de selección entre grados Celsius y Fahrenheit se ilumine para cambiar de Celsius a Fahrenheit y viceversa. Después de esto, pulse el botón SELECT para confirmar.

3.13. Modo Showroom

Presione los botones MENU y FRE. TEMP simultáneamente durante 3 segundos para activar la función. Apagar y volver a encender el aparato desactiva el Modo Showroom.

Este modo se utiliza cuando el refrigerador está en exhibición en una tienda o cuando desea apagar la refrigeración y desactivar todas las demás funciones, excepto la iluminación interior.



Nota

No almacene ningún alimento cuando el refrigerador esté en modo showroom, ya que el aparato permanecerá a temperatura ambiente.

4.1 Consejos para ahorrar energía



ATENCIÓN

Conectar el refrigerador a sistemas de ahorro energético es peligroso y puede provocar daños al producto.

- > No deje las puertas de su refrigerador abiertas durante demasiado tiempo.
- > No meta comida o bebidas calientes en el refrigerador.
- > No sobrecargue el refrigerador. La capacidad de refrigeración descenderá si el aire no puede circular bien por el refrigerador.
- > No coloque el refrigerador en lugares donde esté expuesto a la luz solar directa. Instale el producto a una distancia mínima de 12" (30 cm) de cualquier fuente de calor, como cocinas, hornos, radiadores y estufas, y a una distancia mínima de 2" (5 cm) de hornos eléctricos.
- > Procure meter los alimentos en recipientes cerrados antes de guardarlos en el refrigerador.
- > Puede sacar el estante del cajón del compartimento congelador para llenar el compartimento congelador con la máxima cantidad de comida. El valor predeterminado de consumo de energía del refrigerador se ha calculado con el estante del compartimento congelador o el cajón sacados, y el refrigerador lleno con la máxima cantidad de comida. No pasa nada por usar un estante o un cajón que se adapten a los formatos y tamaños de los alimentos que se vayan a congelar.
- > Descongelar los alimentos congelados en el compartimento refrigerador ahorra energía y ayuda a conservar la calidad de los alimentos.



Nota

La temperatura ambiente de la estancia donde esté ubicado el refrigerador debe ser de, como mínimo, 50 °F (10 °C). Poner en marcha el refrigerador en entornos más fríos es recomendable por cuestiones de eficiencia.



Nota

Limpie minuciosamente el interior del refrigerador.



Nota

Si fuera necesario instalar dos refrigeradores adyacentes, deberían estar

a una distancia mínima de 1 ½" (4 cm) el uno del otro.

4.2 Recomendaciones sobre el compartimento de alimentos frescos

- > Compruebe que los alimentos no entren en contacto con el sensor de temperatura del compartimento de alimentos frescos. Para que el compartimento de alimentos frescos mantenga su temperatura ideal de almacenamiento, el sensor no debe obstaculizarse con comida.
- > No meta comida y bebidas calientes en el producto.

4.3 Uso inicial

Antes de usar el producto, asegúrese de hacer todos los preparativos de acuerdo con las instrucciones que figuran en los capítulos «Instrucciones importantes referentes a la seguridad y el medio ambiente» y el «Manual de instalación».

- > Limpie el interior del refrigerador como se recomienda en el apartado «Limpieza y mantenimiento». Antes de poner en marcha el refrigerador, compruebe que el interior esté seco.
- > Enchufe el refrigerador en una toma conectada a tierra. La iluminación interior se enciende cuando el refrigerador está abierto.
- > Encienda el refrigerador durante 6 horas sin meter ningún alimento dentro y no abra la puerta salvo que sea necesario.



Nota

Escuchará un ruido cuando el compresor arranque. Los líquidos y los gases que circulan por el sistema de refrigeración hermético también pueden hacer ruidos, aunque el compresor no esté en marcha, esto entra dentro de lo normal.



Nota

Los bordes frontales del refrigerador pueden calentarse un poco. Esto es normal. Estas zonas se han diseñado para estar calientes y evitar así la condensación.

5. FUNCIONAMIENTO DEL PRODUCTO

5.1 Sistema de refrigeración doble

El refrigerador está equipado con dos sistemas de refrigeración independientes para enfriar el compartimento de alimentos frescos y el compartimento congelador.

De esta forma, el aire y los olores que se generan en el compartimento de alimentos frescos y en el compartimento congelador no se mezclan.

Gracias a estos dos sistemas de refrigeración independientes, la velocidad de refrigeración es mucho mayor que la de otros refrigeradores. Esto también permite ahorrar más energía, porque la descongelación se hace por separado.

5.2 Congelar alimentos frescos

> Envuelva los alimentos o guárdelos en un recipiente tapado antes de meterlos en el refrigerador.

> Los alimentos y las bebidas calientes deben enfriarse a temperatura ambiente antes de meterlos en el refrigerador.

> Los alimentos que usted quiera congelar deberán ser frescos y estar en buen estado.

> Divida los alimentos en raciones dependiendo de las necesidades de consumo diarias de su familia o por comidas.

> Envase los alimentos en recipientes herméticos para evitar que se resequen, aunque los vaya a almacenar durante poco tiempo.

> Los materiales que se vayan a utilizar para los embalajes/envases deberán ser resistentes a la rotura y al frío, la humedad, olores, aceites y ácidos, y también deben ser herméticos. Además, también deben cerrarse bien y estarán hechos de materiales fáciles de usar que sean aptos para congeladores industriales.

> Los alimentos congelados deben utilizarse inmediatamente después de descongelarlos y no se deben volver a congelar.

> No congele cantidades demasiado grandes de alimentos de una sola vez. La calidad de los

alimentos se conserva mejor cuando se congelan por completo y lo más rápido posible.

> Meter alimentos calientes en el compartimento congelador provoca que el sistema de refrigeración tenga que funcionar constantemente hasta que la comida se congele totalmente.

5.3 Recomendaciones para almacenar alimentos congelados

> Los alimentos congelados que compremos habrá que almacenarlos con arreglo a las condiciones y temperatura que indique el fabricante del alimento en cuestión.

> Apunte los siguientes consejos para no perder la alta calidad lograda por el fabricante del alimento congelado y el minorista de alimentación:

1. Meta los paquetes en el refrigerador lo más rápido posible después de la compra.

2. Asegúrese de que el contenido del paquete esté etiquetado y fechado.

3. Compruebe si la fecha de «Consumo preferente» o «Consumir antes de» que figura en el envase/embalaje ha caducado o no.

5.4 Colocación de los alimentos

Compartimento	Alimento
Estantes del compartimento congelador	Varios alimentos congelados, como carne, pescado, helados, verdura, etc.
Bandeja para huevos	Huevos
Estantes del compartimento refrigerador	Alimentos en bandejas, platos tapados y recipientes cerrados
Contenedores en puerta o compartimento refrigerador	Alimentos o bebidas envasados y pequeños (como leche, zumo de frutas, cerveza, etc.)
Cajón para verduras	Verduras, hortalizas y frutas
Compartimento refrigerador especial	Productos delicatessen (queso, mantequilla, salami, etc.)

5.5 Temperatura de funcionamiento

CONGELADOR	REFRIGERADOR	OBSERVACIONES
0 °F (-18 °C)	39 °F (4 °C)	Esta es la configuración normal recomendada.
-4 °F (-20 °C)	37 °F (3 °C)	Estos ajustes se recomiendan cuando la temperatura ambiente supera los 86 °F (30 °C).
Super Freeze	39 °F (4 °C)	Utilice esta función cuando quiera congelar los alimentos en un periodo corto de tiempo. Su refrigerador volverá al modo anterior cuando el proceso haya terminado.
-11 °F (-24 °C)	35 °F (2 °C)	Utilice estos ajustes si piensa que el compartimento refrigerador no está lo suficientemente frío, porque haga demasiado calor o porque se abran las puertas con demasiada frecuencia.
0 °F (-18 °C) o más frío	Super Cool	Utilice esta función cuando meta demasiada comida en el compartimento refrigerador o cuando necesite enfriar los alimentos rápidamente. Recomendamos que active la función Super Cool 4-8 horas antes de meter la comida

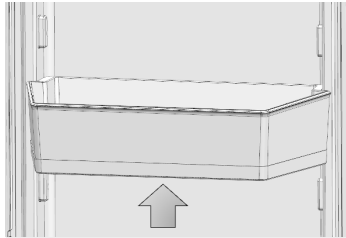
Temperatura de funcionamiento recomendada:

Refrigerador: 39 °F (4 °C), Congelador: 0 °F (-18 °C).

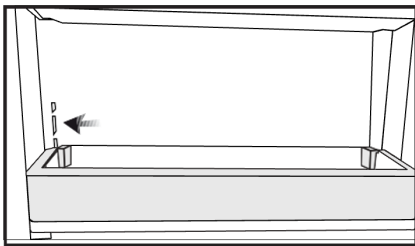
5. FUNCIONAMIENTO DEL PRODUCTO

5.6 Contenedores en puerta

Para quitar un contenedor de la puerta, sujételo por abajo, levántelo y sáquelo de las guías. Consulte la figura.



Para ajustar la altura de un contenedor en puerta, mantenga pulsados los botones de la derecha y la izquierda para ajustar el contenedor de la puerta a la posición deseada sin tener que quitarlo. Para quitar el contenedor ajustable de la puerta, mantenga pulsados estos botones, levante el estante por completo y tire de él hacia usted. Para volver a instalar el contenedor en la puerta, póngalo en la puerta y deslícelo hacia abajo por las guías pulsando los botones. Consulte la figura.



5.7 Estantes de vidrio

La altura de los estantes de vidrio se puede ajustar manualmente con los ganchos traseros. Sujete los estantes por abajo, levante la parte frontal y póngala en posición inclinada; las pestañas de los ganchos se soltarán y el estante de vidrio se moverá hacia arriba y hacia abajo.

Para quitar un estante

- Sujete la parte frontal del estante y, a continuación, levántelo ligeramente y deslícelo por las guías hasta sacarlo.

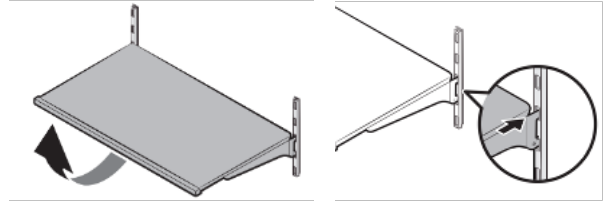
Para volver a meterlo

- Sujete el estante en un ángulo, de manera que la parte delantera quede más alta que la trasera y, luego, inserte el gancho superior en muesca superior del estante.
- Baje ligeramente la parte frontal.



Nota

Tenga cuidado al manipular los estantes de vidrio para evitar que se rompan o que se raye el interior.



ATENCIÓN

Los estantes de vidrio no deben tener nada encima.



ATENCIÓN

Espere a que los estantes de vidrio alcancen la temperatura ambiente antes de sumergirlos en agua para limpiarlos.



ATENCIÓN

La puerta no se puede cerrar si los contenedores de las puertas están colocados al mismo nivel que los estantes de vidrio. Asegúrese de que la puerta esté cerrada después de colocar los estantes.

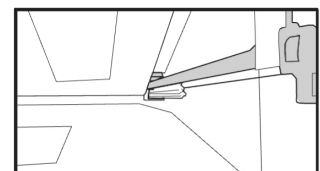
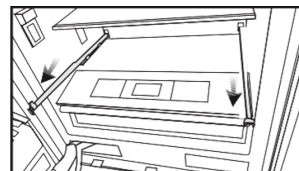
5.8 Cajones del refrigerador

Para quitar un cajón

- Tire del cajón hacia fuera hasta que llegue al tope.
- Desenganche con cuidado la parte frontal del cajón y sáquelo por completo.

Para instalar un cajón

- Saque los rieles hasta el tope.
- Haga coincidir los huecos que quedan en las esquinas traseras del cajón con los componentes situados en los extremos traseros de los rieles.
- Empuje el cajón lentamente hacia dentro hasta que escuche el frente hacer «clic» en los rieles.



**Nota**

Asegúrese de que los componentes a la derecha y a la izquierda de los rieles estén bien sujetos al instalar el cajón.

**Nota**

Nunca deje las verduras/hortalizas en bolsas de plástico dentro del cajón. Si se dejan en las bolsas de plástico, se echarán a perder en poco tiempo.

Los cajones conservan la humedad de las verduras, y permiten conservarlas durante más tiempo sin tener que guardarlas en sus bolsas.

Si prefiere que las verduras/hortalizas no entren en contacto con otras por motivos de higiene, también puede usar papel perforado, foam u otro material similar en lugar de bolsas de plástico.

Tenga en cuenta el peso específico de las verduras/hortalizas al guardarlas. Las verduras/hortalizas pesadas y deben colocarse en la parte inferior del cajón, mientras que las verduras/hortalizas ligeras y blandas deben estar en la parte superior.

Las peras, kiwis, tomates, pepinos, albaricoques, melocotones, brócoli, lechugas, coles, perejil y las espinacas son frutas y verduras/hortalizas que emiten gas etileno. No las meta en el mismo cajón para verduras junto con otras verduras/hortalizas. El gas etileno que emiten estos alimentos provoca que otras frutas y verduras/hortalizas maduren antes y se echen a perder en menos tiempo.

No saque el cajón del refrigerador salvo que sea absolutamente necesario.

5.9 Compartimento «Fresco»

Puede controlar la temperatura en esta sección para almacenar alimentos como pescado, carne, verduras/hortalizas y productos de delicatessen tales como queso o embutidos, para conservarlos mejor.

Nota

Los procedimientos de extracción/instalación del compartimento refrigerador especial son los mismos que los de los cajones del refrigerador.



5.10 Cajones del congelador

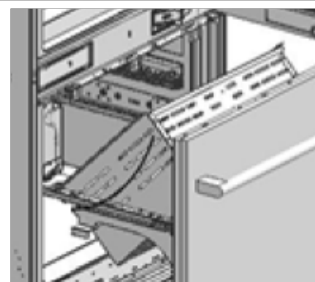
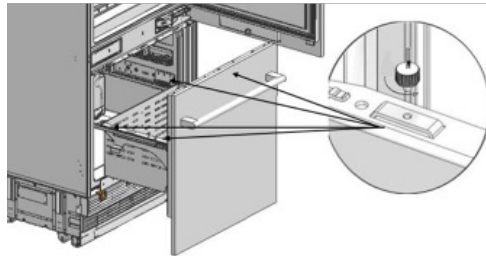
El compartimento congelador conserva los alimentos a una temperatura entre -11 °F (-24 °C) y 0 °F (-18 °C) para mantenerlos más frescos durante más tiempo.

Para quitar el cajón

- Abra el cajón del congelador hasta que llegue al tope.
- Desatornille el tornillo retenedor del cajón y sáquelo con cuidado.

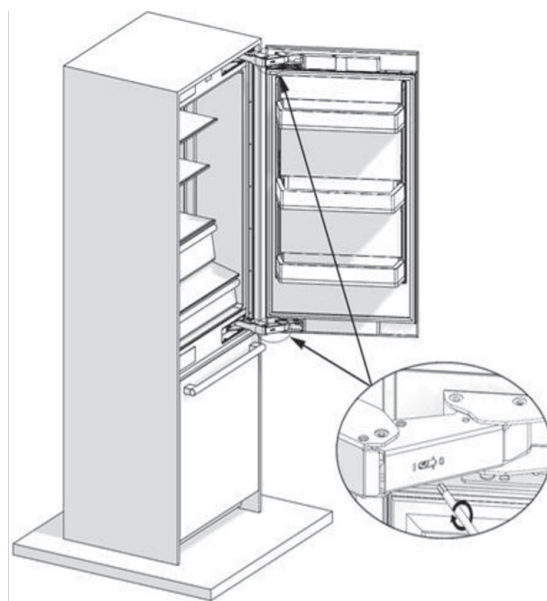
Para instalar el cajón

- Abra el cajón del congelador hasta que llegue al tope.
- Meta lentamente el cajón para verduras y atornille el tornillo retenedor del cajón.



5.11 Ajuste de las bisagras

Al ajustar la dureza de la bisagra: La dureza de las bisagras superior e inferior de la puerta del compartimento de alimentos frescos se ajusta con ayuda de un destornillador. Ponga el tornillo de ajuste de la bisagra en posición «1» moviéndolo desde la posición «0».



5.12 Cambiar el sentido de apertura de la puerta

Consulte las instrucciones de instalación que se entregan con el producto.

6. MANTENIMIENTO Y LIMPIEZA

6. Mantenimiento y limpieza

La vida útil del producto se ampliará y los problemas recurrentes disminuirán si el producto se limpia periódicamente.



ADVERTENCIA

Apague el producto antes de limpiarlo.



ADVERTENCIA

Recomendamos limpiar el condensador cada seis meses usando guantes. No utilice aspiradoras.

No utilice gasolina, benceno ni sustancias similares para limpiar el producto.

Nunca utilice herramientas afiladas, abrasivas, jabón, limpiadores domésticos, detergentes ni cera pulidora para limpiar el producto.

Disuelva una cucharadita de bicarbonato en medio litro de agua. Empape un paño en la solución y escúrralo bien. Limpie el interior del refrigerador con este paño y séquelo bien.

Asegúrese de que no entre agua en la carcasa de la lámpara ni en otros componentes eléctricos.

Si tiene previsto no usar el refrigerador durante mucho tiempo, desenchúfelo, saque toda la comida de dentro, límpiela y deje la puerta entreabierta.

Compruebe cada cierto tiempo que las juntas de la puerta estén limpias. Si no lo están, límpielas.

Saque todos los artículos del interior del producto para quitar la puerta y los estantes estructurales.

Quite los contenedores de la puerta tirando de ellos hacia arriba. Deslice los estantes hacia abajo por las guías para volver a instalarlos después de limpiarlos.

Nunca utilice agentes limpiadores a base de cloro ni agua para limpiar las superficies externas ni las partes cromadas del producto. El cloro provoca abrasión en estas superficies metálicas.

6.1 Prevenir olores desagradables

En la fabricación de nuestros refrigeradores no se han utilizado materiales que puedan provocar olores desagradables. No obstante, pueden aparecer olores desagradables si los alimentos no se almacenan adecuadamente o si la superficie interna del producto no se limpia como debería.

Tenga en cuenta las siguientes consideraciones para prevenir este problema:

Es importante mantener limpio el refrigerador. Los residuos de comida, las manchas, etc. puede provocar olores desagradables. Por este motivo, limpie el refrigerador con bicarbonato disuelto en

agua cada 15 días. No utilice nunca detergentes ni jabón.

Guarde los alimentos en recipientes cerrados. Los microorganismos que emiten los recipientes sin tapa podrían provocar olores desagradables.

No guarde alimentos caducados o echados a perder en el refrigerador.

6.2. Protección de las superficies de plástico

No meta aceites líquido o comidas cocinadas con aceite en el refrigerador dentro de recipientes sin cierre hermético, porque dañarán las superficies de plástico del refrigerador.

Si se derrama aceite o se manchan de aceite las superficies de plástico, limpie y aclare la parte afectada de la superficie con agua caliente de inmediato.

6.3 Limpieza de la superficie interna

Para limpiar las superficies internas y todos los componentes desmontables, lávelos con una solución suave de jabón, agua y bicarbonato. Aclare y seque bien.

Procure que el agua no entre en contacto con la iluminación ni con el panel de control.



ATENCIÓN

No utilice vinagre, alcohol isopropílico ni otros limpiadores de base alcohólica para limpiar las superficies internas.

6.4 Superficies externas de acero inoxidable

Utilice un agente limpiador para acero inoxidable que no sea abrasivo y aplíquelo con un paño suave que no deje pelusa.

Para dar brillo, limpie con suavidad la superficie con un paño de microfibra húmedo y utilice una gamuza seca.

Siga siempre las vetas del acero inoxidable.

7. Resolución de problemas

Consulte la siguiente lista antes de llamar al servicio técnico. Esto le permitirá ahorrar tiempo y dinero. Esta lista incluye los problemas más frecuentes que no se deben a un fallo de la mano de obra o de uso normal del material. Es posible que su producto no tenga algunas de las funciones que se describen aquí.

El refrigerador no funciona

- Puede que no esté bien enchufado.
 - > Enchufe bien el producto.
- El fusible del enchufe al que está conectado el refrigerador o el fusible principal pueden haberse fundido.
 - > Compruebe el fusible.

Hay condensación en el compartimento refrigerador

- Es posible que la puerta se haya abierto/cerrado demasiado.
 - > No abra/cierre la puerta del refrigerador con demasiada frecuencia.
- El ambiente puede ser demasiado húmedo.
 - > No instale el refrigerador en lugares con un nivel de humedad demasiado alto.
- Puede que se hayan metido en el refrigerador alimentos con líquido en recipientes sin taponar.
 - > No guarde en el refrigerador alimentos que contengan líquido en recipientes sin cierre hermético.
- Puede que la puerta del refrigerador se haya quedado entreabierta.
 - > No deje las puertas de su refrigerador abiertas durante demasiado tiempo.

El compresor no funciona

- El protector de sobrecarga térmica del compresor apagará el compresor si se producen cortes repentinos en la electricidad u oscilaciones en la corriente, puesto que la presión del refrigerante en el sistema de refrigeración del refrigerador todavía no está equilibrada.
- El refrigerador empezará a funcionar transcurridos unos 6 minutos. Llame al Servicio Técnico Autorizado si el refrigerador no arranca transcurrido ese tiempo.
- El congelador está en ciclo de descongelación. >>> Esto es normal para un refrigerador que hace una descongelación total automática. El ciclo de descongelación se realiza periódicamente.
- El refrigerador no se puede enchufar.
 - > Compruebe que el enchufe encaje en la toma.
- La configuración de la temperatura puede ser incorrecta.

- > Seleccione el valor de temperatura correcto.
- Posible fallo de alimentación.
 - > El refrigerador volverá a funcionar con normalidad cuando se reestablezca la alimentación.

El ruido normal de funcionamiento aumenta cuando el refrigerador está en marcha

El rendimiento operativo del refrigerador puede variar en función de los cambios en la temperatura ambiente. Esto es normal, no es un defecto.

Vibración o ruido

- El suelo puede ser inestable o no estar nivelado.
 - > Si el refrigerador se zarandea al moverlo ligeramente, ajuste las patas para equilibrarlo. Compruebe que el suelo esté nivelado y tenga capacidad para soportar el peso del refrigerador.
- Los objetos colocados sobre el refrigerador pueden hacer ruido.
 - > Quite los objetos que haya encima del refrigerador.

Se escuchan ruidos en el refrigerador como si estuviera derramándose o pulverizándose algún líquido

- Los líquidos y los gases fluyen con arreglo a los principios de funcionamiento del refrigerador. Esto es normal, no es un defecto.

El refrigerador emite un silbido

- Se utilizan ventiladores para enfriar el refrigerador. Esto es normal, no es un defecto.

La humedad se acumula en las paredes internas del refrigerador

- El tiempo cálido y húmedo favorece la formación de hielo y la condensación. Esto es normal, no es un defecto.
- Es posible que las puertas se hayan abierto con demasiada frecuencia o que se hayan quedado entreabiertas durante mucho tiempo.
 - > No abra la puerta con demasiada frecuencia. Cierre las puertas que estén abiertas.
- Es posible que la puerta se haya quedado entreabierta.
 - > Cierre la puerta por completo.

La humedad aparece en la superficie exterior del refrigerador o entre las puertas

- El aire puede ser húmedo. Esto es bastante normal en climas húmedos.
 - > La condensación desaparecerá cuando descienda el nivel de humedad.
- Puede haber condensación en el exterior de la sección comprendida entre las dos puertas del refrigerador si apenas utiliza el producto. Esto es normal. La condensación desaparecerá con un uso frecuente.

7. RESOLUCIÓN DE PROBLEMAS

El interior del refrigerador huele mal

- Puede que no se limpiado con frecuencia.
 - > Limpie el interior del refrigerador. Utilice una esponja, agua tibia o agua con bicarbonato.
- Algunos recipientes o materiales de materiales de embalaje/envasado pueden emitir ese olor desagradable.
 - > Utilice otro recipiente o materiales de embalaje/envasado de otra marca.
- Puede que se hayan metido en el refrigerador alimentos en recipientes sin tapar.
 - > Guarde los alimentos en recipientes cerrados. Los microorganismos que emiten los recipientes sin tapa podrían provocar olores desagradables.
- Saque los alimentos caducados o echados a perder del refrigerador.

La puerta no se puede cerrar

- Puede que los envases de los alimentos impidan cerrar la puerta.
 - > Recoloque los envases que obstruyan la puerta.
- Puede que el refrigerador no esté estable sobre el suelo.
 - > Ajuste las patas del refrigerador cuanto sea necesario para equilibrarlo sobre el suelo.
- Puede que el suelo no esté nivelado o no sea firme.
 - > Compruebe que el suelo esté nivelado y tenga capacidad para soportar el peso del refrigerador.

Los cajones para verduras están atascados

- Puede que los alimentos toquen la pared superior del cajón para verduras.
 - > Reorganice los alimentos que hay dentro del cajón para verduras.



ADVERTENCIA

Si no puede resolver el problema pese a seguir las instrucciones que figuran en este apartado, consulte a su distribuidor o al Servicio Técnico Autorizado. No intente nunca reparar un producto averiado por su cuenta.

Para obtener información sobre la garantía y solicitar servicio, contáctenos:



En EE.UU.:

<https://us.bertazzoni.com/more/support>

En Canadá:

<https://ca.bertazzoni.com/more/support>

