

DA 2628

Insert ventilation hood

with energy-efficient LED lighting and backlit controls for easy use.



- Customized kitchen design – fully integrated in 46 1/2 (1180) in (mm) width
- Unique user convenience – Con@ctivity
- Energy-efficient and quiet
- Elegant and efficient – edge vented panel

EAN: 4002516024439 / Material number: 10876800 / Old Material Number: 28262855USA

Construction type	
Insert ventilation extractor	•
Operating modes	
Recirculated mode	air extraction
Design	
Color	Stainless steel
Edge extraction	•
Control panel	
Miele@home	•
Electronic controls	•
Power levels (number excl. Intensive)	3
Programmable Intensive switch-off	•
Grease filter saturation indicator	•
Programmable grease filter saturation indicator	•
User convenience	
Run-on time 5/15 min.	•
Efficiency and sustainability	
ECO motor	•
PowerManagement system	•
Cleaning convenience	
Easy-to-clean canopy interior – CleanCover	•
Filter system	
Number of dishwasher safe stainless-steel grease filters (10-ply)	4
Lighting	
LED ClearView lighting	•
Number x W	3 x 4,5 W
Light intensity in Lx	700 lx
Color temperature in K	3500 Kelvin
Light dimmer function	•
Blower	
Dual-action blower	•
DC motor	•
Extraction	
Air throughput	Values upon request
Safety	
Safety shut-off	•
Technical data	
Canopy width in in.(mm)	46 1/2 (1180)
Canopy height in in.(mm)	2 1/2 (63)
Canopy depth in in.(mm)	11 5/8 (293)
Minimum height above electric hobs in mm	24 1/8 (610)
Minimum height above gas hobs (max. 12.6 kW total power, burner ≤ 4.5 kW) in mm	26 (660)
Net weight in lbs. (kg)	34 (15.0)
Length of electrical wire in ft (m)	4 (1.5)
Standard plug fitted	•
Total connected load in kW	0.36
Fuse rating in A	15
Voltage in V	120

DA 2628

Insert ventilation hood

with energy-efficient LED lighting and backlit controls for easy use.



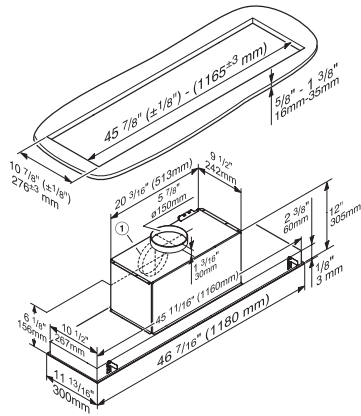
EAN: 4002516024439 / Material number: 10876800 / Old Material Number: 28262855USA

Frequency in Hz	60
Number of phases	1
Installation notes	
Vent connection at top	•
Vent connection at top and rear	•
Diameter of vent connection in in. (mm)	6 (150)
Accessories supplied	
Communication module for Con@ctivity XKM 2000 DA	XKS 3000 Z
Optional accessories	
OdorFree charcoal filter	No

DA 2628

Insert ventilation hood

with energy-efficient LED lighting and backlit controls for easy use.



DA 2628, stainless steel – Integrated cooker hood
(Installation drawing) – USA

1) Vent connection alternatively to rear