



**200 series gas cooktop**  
**CG 280**

**CG 280 212CA**  
Stainless steel control panel.  
Width 30" (76 cm).  
Natural Gas.

**Highlights**

- Control panel for comfortable and secure operation.
- Mechanical power level regulation for 9 power levels, with exact setting and reproduction of flame size.
- Solid smooth-surface cast-iron pan support.
- Up to 42,700 BTU (12.5 kW) on 5 burners.

**Cooking zones**

- 1 multi-ring wok burner 17,000 BTU.
- 1 high output burner 10,300 BTU.
- 2 standard burners 6,000 BTU.
- 1 economy burner 3,400 BTU.

**Operation**

Control knobs with illuminated rings.  
Integrated control panel.  
One-handed Operation.  
Electronic ignition.

**Features**

Three-part cast iron pan support with flat, continuous pot surface.

**Safety**

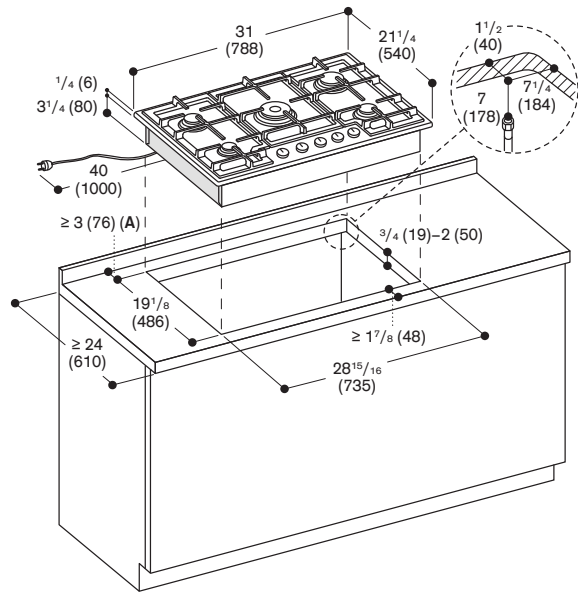
Thermoelectric safety pilot.  
Residual heat indicator.  
Operation indicator.

**Planning notes**

The cooktop can only be surface-mounted.  
A minimum lateral clearance of at least 13" (330 mm) from adjacent heat-sensitive furniture or contact surfaces must be observed or thermal insulation fitted.  
With a total connected load of more than 37,533 BTU (11 kW), local regulations concerning room ventilation, room size, and combination of extraction or recirculation hoods must be observed.  
Minimum distance between gas cooktop(s) with more than 37,533 BTU (11 kW) and ventilation hood must be 30" (76 cm).  
Appliance weight: approx. 42 lbs (19 kg).

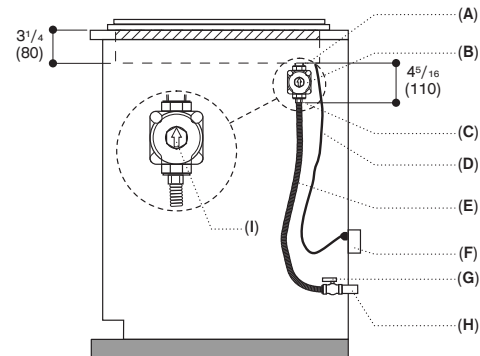
**Rating**

Total rating: 42,700 BTU (12.5 kW).  
Total Amps: 1 A. 120 V / 60 Hz  
Connecting cable 40" (100 cm) with ground plug.



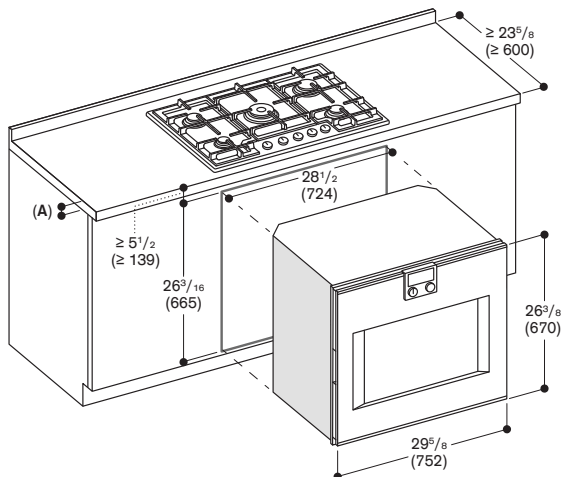
A:  $\geq 3"$  (100 mm) for installation in a kitchen island

**Side view – gas cooktop installation**



- A:  $3/8"$  (9.5 mm) NPT
- B: Gas regulator
- C:  $1/2"$  (12.7 mm) NPT
- D: Power cable 4" (100 mm)
- E: Flexible gas line
- F: 120 V socket
- G: Gas cut-off valve
- H: Gas supply line stub-out
- I: Arrow on the pressure regulator shows the direction of gas flow

**Gas hob CG280212CA with BO480613**



A: Min. countertop thickness  $3/4"$  (20 mm) for surface mounted installation

Numbers indicated  
inside parenthesis ( ) = mm

www.gaggenau.com/us  
Revised: March 2025