

CS 1011-1 G  
CombiSets  
with one burner

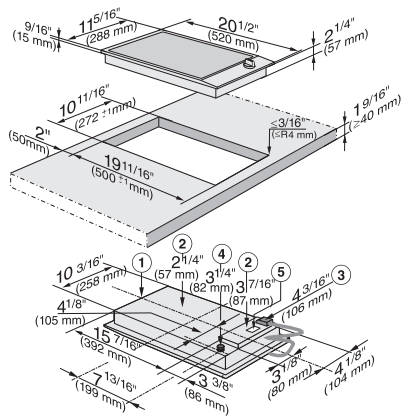


- Professional design – Stainless steel trough, 11 3/8 (288) in (mm) wide
- Broad performance spectrum – dual wok with up to 5.200 kW kW of power
- Optimal – single-handed operation via rotary dials and QuickStart
- Extremely safe – GasStop&Restart function
- Easy cleaning – ComfortClean dishwasher-safe grates

EAN: 4002516429852 / Material number: 11763790 / Old Material Number: 27101152USA

<b>Heating type</b>	
Fuel type	Gas
<b>Construction type</b>	
ProLine	•
<b>Design</b>	
Miele logo embossed in stainless steel	•
Stainless steel trough	•
Cast iron pot rest (matte black enameled)	•
<b>Ring features</b>	
No. of rings	1
<b>1st cooking zone/cooking area</b>	
Position	Centered
Type	Dual wok burner
Max. rating in W	6000
<b>Control panel</b>	
Operation via knobs	•
QuickStart	•
<b>Safety</b>	
Heat indicator	•
Operational indicator	•
GasStop & ReStart	•
<b>Technical data</b>	
Dimensions in mm (width)	11 3/8 (288)
Dimensions in mm (height)	2 7/8 (73)
Dimensions in mm (depth)	20 1/2 (520)
Casing height incl. connection box in mm	4 1/4 (106)
Cutout dimensions in mm (width) with surface-mounted installation	10 3/4 (272)
Cutout dimensions in mm (depth) with surface-mounted installation	19 3/4 (500)
Weight in kg	17 (8)
Total rated load in kW	5.20
Voltage in V	120
Frequency in Hz	60
Power cord length in ft. (m)	6 (2.0)
<b>Standard accessories</b>	
Connection wire	Yes
Jet set for natural gas	•
Jet set for liquid gas	•
Wok ring	•

CS 1011-1 G  
CombiSets  
with one burner



CS1011G, CS1011-1G (installation drawing) – USA

1) Appliance front, 2) Installation height, 3) Power supply box with Connection cable, L = 78 3/4" (2000 mm), 4) Gas Fitting, 5) Rating label