



400 and 200 series recirculation blower
AR 410

AR 410 710

Metal housing
Air recirculation
HVI CFM: 600, High Speed
Works with AL 400 retractable
downdraft and VL414/VL200
downdraft
Inside Installation.

Installation accessories

AA 410 112

2 regenerable activated charcoal
filter For air recirculation.

**Installation accessories and
planning guides can be found on
the following pages:**

For AL 400 722, see page 156.
For VL 200 120, see page 186.
For VL 414 712, see page 164.

**HVI Performance Values
(CFM & SONES)**

Blower Remote

Exhaust Discharge: direct
Speed: High Speed
Static Pressure (in H₂O): 0.03"
HVI Wats: 254
CFM/Watt: 2.38
HVI CFM: 600
Sones (Reportable): NA

Blower Remote

Exhaust Discharge: direct
Speed: Low Speed
Static Pressure (in H₂O): 0.03"
HVI Wats: 113
CFM/Watt: 3.92
HVI CFM: 440
Sones (Reportable): NA

Highlights

- Powerful recirculation blower to combine with 400/200 series Vario downdraft and 400 series AL 400 retractable downdraft ventilation.
- Efficient BLDC technology.
- Particularly quiet due to patented noise insulation.
- Compact, space-saving installation.

Output

Performance output level 3/Intensive.
Sound power and sound pressure depending on built-in situation.

Features

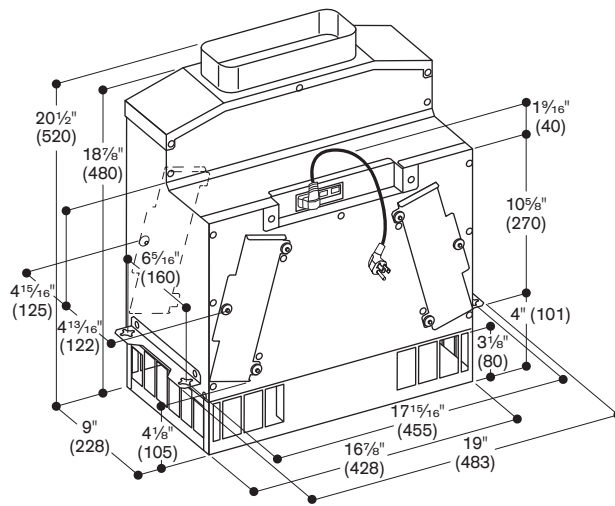
3 electronically controlled power levels and 1 intensive mode.
Fan technology with highly efficient, brushless DC motor (BLDC). Including sound insulation to minimize the noise level.
Steel housing, zinc-plated.
Pipe connection piece on intake side: 1 x DN150 flat duct.
Retaining bracket for installation at the cabinet base enclosed.
2 regenerable activated charcoal filters enclosed.
Extended change interval of the activated charcoal filter: regenerable up to 30 times.
Regenerable in the oven at 400 F.

Planning notes

Powerful recirculation blower to combine with VL 414/VL 200 Vario downdraft ventilation and AL 400 722 retractable downdraft ventilation. Connection to VL 414/VL 200/AL 400 722 downdraft via network cable.
Installation in a base cabinet possible with a cut-out in the cabinet base or behind the cabinet positioned on the floor. To replace the filter the blower must be accessible.
The filter exchange is possible from the front and rear of the blower.

Rating

Total rating: 170 W.
Total Amps: 2 A.
Connecting cable 68 7/8" with plug.
78" network cable included.



Filter exchange

