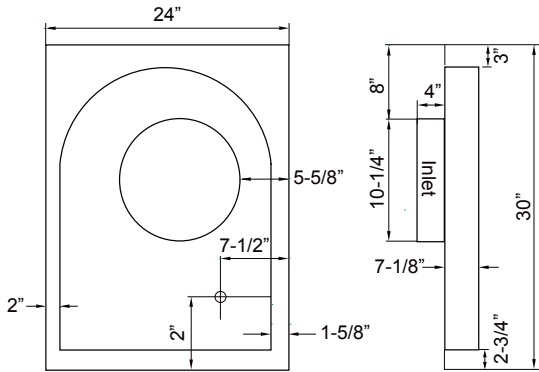
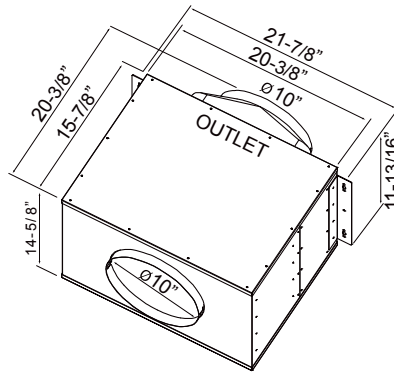


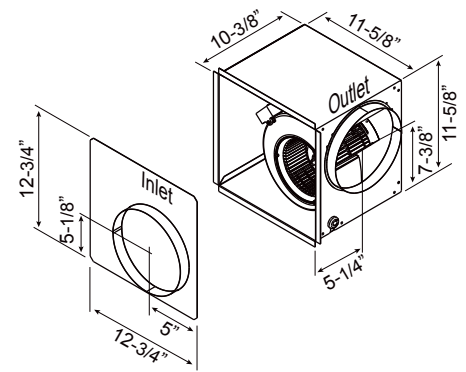
**CBE-1000**  
(external)



**PBN-1000A**  
(in-line)



**DBI-600A**  
(internal/in-line)



**BLOWERS**

MODEL	BLOWER TYPE	MAX WATTS*	MAX AMPS*	CFM	SONES	COMPATIBLE MODELS
CBI-290C	Single Internal	77	0.75	200 - 290	1.4 - 3	AK8300BSX, Designer Collection
CBI-390A	Single Internal	255	2.1	200 - 390	1.4 - 5	AK8300BSX, Designer Collection
CBI-600A	Single Internal	320	2.75	240 - 600	1.8 - 6	AK8300BSX, Designer Collection
DBI-600A	Internal/In-Line	340	3.0	200 - 600	NA	DLI-ExxASX
PBI-1100B	Dual Internal	640	5.45	500 - 1,100	3.5 - 8	AK8300BSX, ALU-ExxCxX
PBI-1100B-DME	Dual Internal	640	5.4	500 - 1,100	3.5 - 8	DME-E48AxxX
PBD-1200A	Dual Internal	660	5.8	400 - 1,200	3.5 - 9	AK70xxCS, AK75xxCS
PBD-1300B	Dual Internal	490	8.0	350 - 1,300	1 - 8	AK7336AS, AK74xxAS, AK76xxBS, AK77xxBS, AK94xxBS, ZRP-ExxBS
CBE-1000**	External	640	5.45	500 - 1,000	NA	AK8300BSX, Designer Collection
PBN-1000A**	In-Line	700	6.25	500 - 1,000	NA	AK8300BSX, Designer Collection

\*Add blower Watts and Amps to AC Power details from hood spec sheet to determine total power consumption.

\*\*For Designer Collection hoods you must transition from 10" to 8" ducting before duct passes through ceiling. A 10" to 8" adapter is included with external and in-line blowers.

The exception to this is ALU-ExxCxX which uses a 10" round.