

DA 1260

Built-under hood

with energy-efficient LED lighting and sliding switch for simple operation.



- Minimalist design – 23 5/8 (598) in (mm) wide space saving solution
- Powerful – ?? on the booster setting
- Efficient filtration- 10-ply stainless steel grease filters
- Safe and easy to clean – Miele CleanCover
- Suitable for every home – vented or recirculating

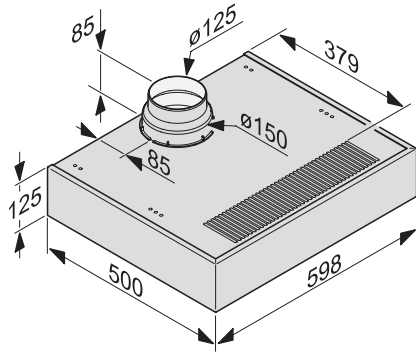
EAN: 4002515882979 / Material number: 10662780 / Old Material Number: 28126055USA

Construction type	
Built-under ventilation hood	•
Operating modes	
Recirculated mode	Convertible
OdorFree charcoal filter (order separately)	DKF18-900
Design	
Color	Stainless steel
Control panel	
Recessed knob controls	•
Slide switch	•
Power levels (number excl. Intensive)	3
Cleaning convenience	
Easy-to-clean canopy interior – CleanCover	•
Filter system	
Number of dishwasher safe stainless-steel grease filters (10-ply)	2
Lighting	
LED ClearView lighting	•
Number x W	2 x 3 W
Light intensity in Lx	275 lx
Color temperature in K	3000 Kelvin
Blower	
Single-action blower	•
AC motor	•
Extraction	
Air throughput	Values upon request
Technical data	
Canopy width in in.(mm)	23 5/8 (598)
Canopy height in in.(mm)	5 (125)
Canopy depth in in.(mm)	19 3/4 (500)
Minimum height above electric hobs in mm	17 3/4 (450)
Minimum height above gas hobs (max. 12.6 kW total power, burner ≤ 4.5 kW) in mm	25 5/8 (650)
Net weight in lbs. (kg)	25 (11.2)
Length of electrical wire in ft (m)	4 (1.5)
Standard plug fitted	•
Total connected load in kW	0.28
Fuse rating in A	15
Voltage in V	120
Frequency in Hz	60
Number of phases	1
Installation notes	
Vent connection at top	•
Diameter of vent connection in in. (mm)	6 (150)
Installation template	•
Accessories supplied	
Recirculation deflector	•
Optional accessories	
OdorFree charcoal filter	DKF 18-900

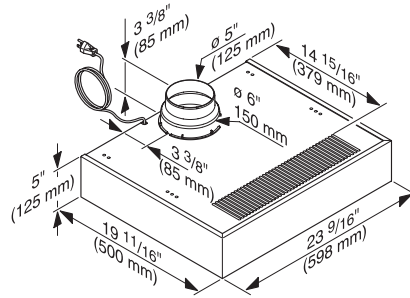
DA 1260

Built-under hood

with energy-efficient LED lighting and sliding switch for simple operation.



DA 1060, DA 1160, DA 1260 (Installation drawing)



DA 1060, DA 1160, DA 1260 (Installation drawing)