



Dishwasher

DFI786XXLSOF

60+ series

Noise level (max): 39 dB(A)

Number of place settings: 18 pcs

Number of racks: 4

Size: XXL

Turbo Combi Drying™ ensures dry dishes with fan assisted evacuation of moisture in combination with Auto Door Opening

ADA Compliant: No

Installation: Panel ready



Construction and performance

- 8 Steel™ - Vital parts of the dishwasher made in stainless steel: Yes
- No need to rinse the dishes thanks to Super Cleaning System™: Yes
- Automatic water-softener for better washing performance: Yes
- Number of spray arms: 3 pcs
- Number of spray zones: 10
- Cleaning systems: Twin Tubes™ - separate spray zone for the middle basket, Cutlery Spray™ - Extra dishwashing power for the cutlery basket, No need to rinse the dishes thanks to Super Cleaning System™, Aqua Level™ Sensor, Sensi Clean™ Sensor - measures dirtiness level, Stainless steel spray arms, Adjustable power zones that can be set for cleaning Pots & Pans or Bottles & Vases. Can also be turned off., The water pressure is adapted depending on program, type of dishes and dirtiness level.

Use and flexibility

- Number of place settings: 18 pcs
- Number of racks: 4
- Top tray: Easy height adjustment, With telescopic rails, Handle, Removable, Guide rails with ball bearings
- Upper rack type: Exclusive, all tines are foldable, divisible/foldable wine shelves, Light Lock™ for fastening lightweight items
- Upper basket system: Easy height adjustable with lever
- Upper basket: Dividable pin rows, Wine glass fixings in TPE, Sliding tines for easy adaptation to stone ware etc., Perfect ergonomomy with easy sliding telescopic rails, Light Lock™ for fastening lightweight items, China Guard - Protects fragile load from the rotating spray arm, Extra wide knife stand, Two foldable glass supports, Divisible/foldable wine shelves to left, Foldable wine shelves to right, Handle with ASKO logo, Small distance between the basket threads - makes loading easy and prevents small items to fall through
- Middle basket: Removable rack for large utensils, Removable rack for bowls, cups and glasses, Handle, Middle basket connection fitted with non-return valve, Perfect ergonomomy with easy sliding telescopic rails
- Lower rack type: Exclusive
- Lower rack: Sliding tines for easy adaptation to stone ware etc., Cutlery basket, Vase/bottle holder for cleaning vases/baby bottles, Foldable/divisible front pin row, Foldable/divisible rear pin row, Handle with ASKO logo, Small distance between the basket threads - makes loading easy and prevents small items to fall through.
- Automatic dosing system: Yes
- Interior light: Yes, 4 LED lights

Interaction and control

- Wifi: Yes
- Type of display: Graphic TFT display
- Status Light™ - Visual indication of dishwashing progress: Yes
- Remaining time indication: Yes
- Wash end indication: Displayed with sound and light
- Language settings: Chinese simplified, Chinese traditional, Swedish, Slovenian, Slovak, Russian, Portuguese, Polish, Norwegian, Dutch, Latvian, Lithuanian, Japanese, Italian, Croatian, French, Finnish, Estonian, Spanish, English, German, Danish, Czech, Ukrainian

Functions, programs and modes

- Programs: Anti odour, Sanitize, Light wash, Self cleaning, Quick Pro wash, Crystal glass, Lower half, Upper half, Rinse and hold programme, Plastic wash, Time program, ECO wash, Standard, Auto wash, Intensive program
- Delayed start: Possible to delay up to 24 hours
- Options and modes: Heat Boost Mode, Push to open - Handle-free door opening, Sensor controlled door opening - Optimizes the drying process according to the room temperature, ExtraHygiene with UV Technology, Night mode - Lower noise level. The program time is extended., Speed mode - The program time is shortened. More energy is used., Green mode - Less energy and water is used. The program time is extended, Time set, Super Rinse™ - Two extra rinses, Enable/disable automatic door opening, Light sabbath mode

Design and integration

- From the front adjustable door spring: Yes
- From front adjustable rear foot: Yes
- Installation: Velcro strips for easy mounting and adjustment of the separate custom door, Multi fit outlet hose, Integrated anti-siphon - Prevents spontaneous in- and outlet of water and simplifies elevated installation, Trim kit, Steam protection strip
- Sliding door: No
- Possible to install elevated: Yes
- Custom door size: Custom door size 700-800
- Min. niche width: 24 "
- Min. niche height: 33 7/8 "
- Depth (incl. wall spacing): 21 7/8 "
- Max Height adjustment: 2 1/16 "
- Adjustable kick plate: 30-94/0

Safety and maintenance

- Aqua Safe™: Anti Block™ - Self cleaning drain pump, Light and sound alarm, Maximum time for water intake, Extra durable PEX inlet hose, Stand-by water protection - Leakage detection when machine is off, Aqua Level™ Sensor - Ensures an optimized water level, Aqua Detect™ - Instant recognition of any leakage in the motor compartment, Detection of water leakage on the bottom plate, Waterproof bottom plate, Extra durable stainless steel container, Sealing points outside container
- Aqua Safe™ system: Yes
- Child safety: Kid Safe™ - Lockable controls
- Indication of low level of rinse-aid: Notification in display
- Salt refill indicator: Notification in display

Technical data

- Water connection: Hot or cold
- Adapter for water connection: No
- Max. temperature of inflow water: 140 °F
- Noise level (max): 39 dB(A)
- Reference programme: 1
- Duration of standard programme: 125 min
- Estimated yearly energy consumption: 230 kWh
- Energy consumption - normal program: 1 kWh
- Estimated annual water consumption: 687.4 gal
- Water consumption: 3.2 gal
- Power consumption in standby mode: 0.5 W
- Plug type: USA
- Connected load: 1300 W
- Voltage (V): 120 V
- Number of phases: 1
- Fuse: 15 A
- Frequency: 60 Hz
- Required inlet water pressure psi: 0,03-1
- Net weight: 106.9 lb

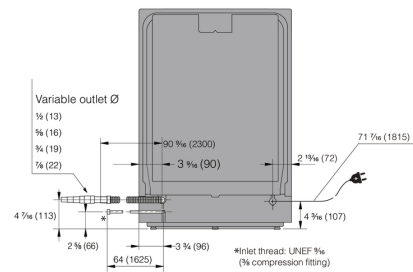
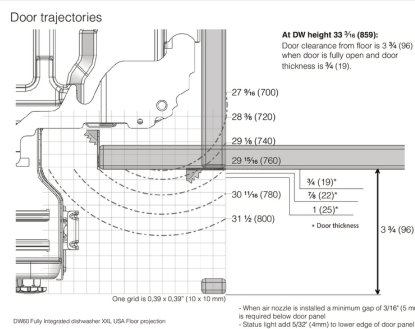
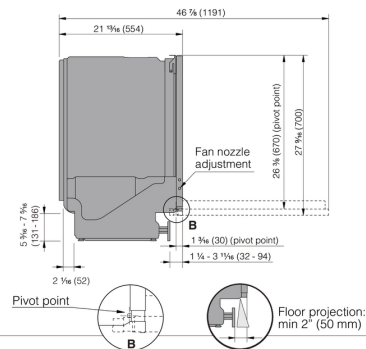
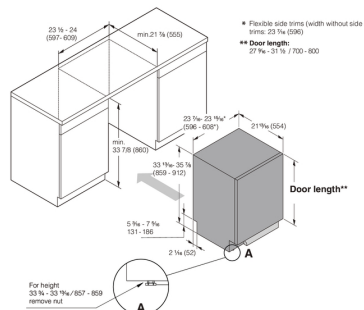
Dimensions

- Width: 23 15/16 "
- Height: 33 13/16 "
- Depth: 21 13/16 "

- Maximum product height: 35 7/8 " "
- Length of electrical cord: 71 7/16 " "
- Depth with door open: 48 7/16 " "
- Length inlet hose: 64 3/16 " "
- Length outlet hose: 90 9/16 " "

Logistic information

- Packaging width: 25 3/16 " "
- Packaging height: 36 5/8 " "
- Packaging depth: 27 3/8 " "
- Gross weight: 114.2 lb
- Product code: 740094
- EAN code: 3838782628535



DW60 Fully Integrated dishwasher XXL USA Floor projection
 - When air route is installed a minimum gap of 3/16" (5 mm) is required below door panel
 - Status light add 5/32" (4mm) to lower edge of door panel