

## 36 inch Dual Fuel Range, 6 Brass Burners and Cast Iron Griddle, Electric Self-Clean Oven Professional Series

\$ 11,089



### PRO366BCFEPCAT

The new Bertazzoni ranges are superb cooking appliances designed, engineered and made in Italy. All Bertazzoni appliances integrate seamlessly into style-harmonized suites for a true, high-performing kitchen.

The high-efficiency maintop with 6 brass burners features 2 dual ring 19,000 BTU power-burners that boil water in under 6 minutes (best in class), and 4 additional MonoBloc burners of variable size and power to suit every style of cooking, with delicate simmer at 750 BTUs. A large, removable cast-iron griddle is included.

The 5.7 cubic feet self-cleaning oven is the largest in its class, with dual convection fan for balanced airflow and even temperature baking and roasting on 7 shelf levels. The elegant digital temperature gauge monitors the actual temperature in the oven and has integrated controls in the bezel for the food temperature probe. The extra wide electric broiler with optional convection is ideal for grilling and searing at high heat. The oven includes convenient features such as smooth telescopic glides for the oven shelves and soft-close doors. The edge-to-edge interior oven glass door maximizes interior volume and can be wiped clean without effort.

This range comes with a dedicated air-frying mode for healthier cooking, to be used with the included stainless steel mesh basket.

The fingerprint resistant finish on all knobs, handles, and stainless steel oven door surfaces makes cleaning a breeze.

All Bertazzoni appliances are covered by a 2-year warranty.



# Specifications

## Features

### Worktop

Size	36 in
Cooking zones	6
Number of gas burners	6 burners
Worktop type	gas / standard cast iron griddle
Worktop design	stainless steel with seamless edges
Worktop controls	metal knobs
Knobs	metal coated
Burner type	brass
Grates	cast iron
Continuous grating	yes
Thermocouple safety device	yes
One-hand ignition	yes
Backguard	yes
Wok ring	yes
Simmer ring	yes
Cast iron griddle	yes

### Cooking zones

Power burners	2 x 1300 BTU- 19000 BTU
Rapid burner	2500 BTU - 10400 BTU
Medium burner	2 x 1500 BTU - 5900 BTU
Simmer burner	750 BTU - 3500 BTU

### Oven cavity

Oven configuration	single
Oven fuel	electric
Oven convection system	dual diagonal with ring heating element
Oven type	electric convection self clean
Oven broiler type	electric

Oven levels	7
Cooking modes	air frying / bake / broil / convection / convection bake / convection broil / defrosting / dehydrate / pizza / proofing / self clean / warming
Oven volume	5.7 ft <sup>3</sup>
Oven controls	knobs with digital control buttons
Inner oven door	triple glass
Removable inner glass	yes
Cooling fan	yes
Food probe	yes
Door hinges	soft-close
Air fryer	yes
Wire-shelves	2 heavy duty with telescopic glides
Tray	1 baking tray w/grill trivet + 1 air fry basket
Grill trivet for tray	yes
Oven lights	double side mounted

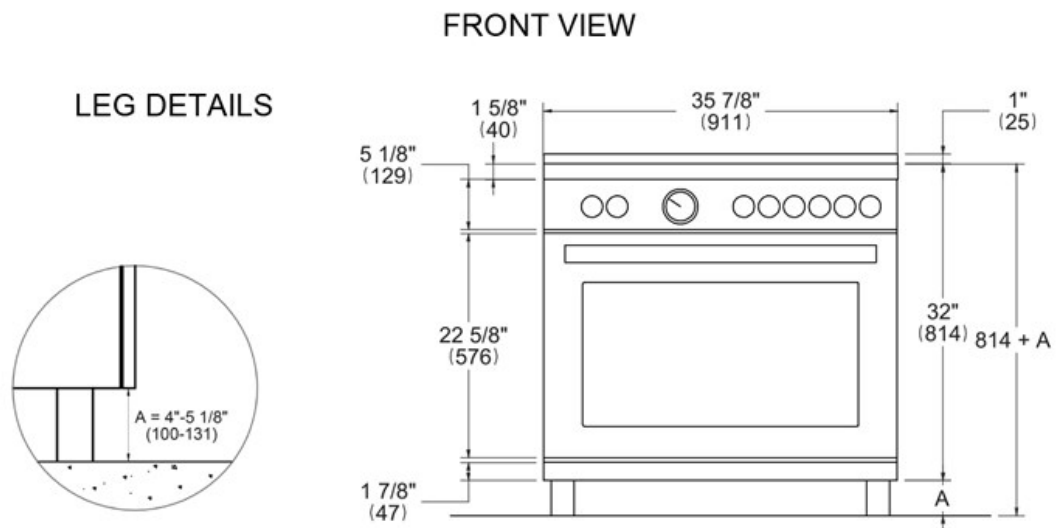
**Bottom**

Legs	stainless steel
------	-----------------

**Technical specifications**

Absorbed current (A)	30 A with dedicated circuit
Electrical supply	120/240V 60 Hz - 5900W or 120/208V 60 Hz - 4500W

**Dimensions**



---