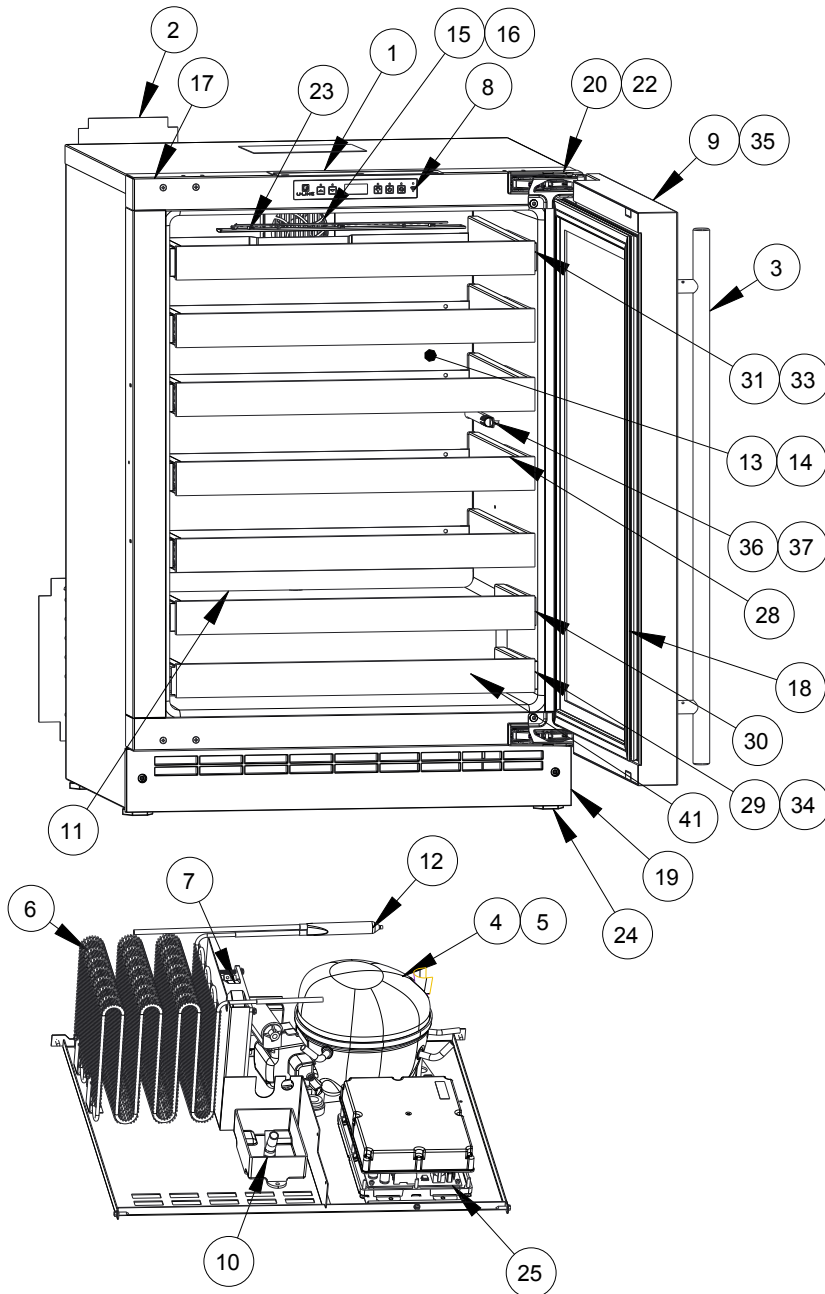


USER GUIDE

SAFETY • INSTALLATION & INTEGRATION • OPERATING INSTRUCTIONS • MAINTENANCE • **SERVICE**

Parts



U-2224WCS-00A

| Item | Description | U-Line P/N |
|------|--------------------------------|-------------|
| 1 | Anti tip brackets w/screws | 80-54012-00 |
| 2 | Back panel | 80-54086-00 |
| 3 | Commercial door Handle | 80-54214-00 |
| 4 | Compressor electricals only | 80-54149-00 |
| 5 | Compressor w/electricals | 80-54193-00 |
| 6 | Condenser assembly | 80-54043-00 |
| 7 | Condenser fan w/screws | 80-54014-00 |
| 8 | Display module | 80-54007-00 |
| 9 | Door assembly w/hinges | 80-54185-00 |
| 10 | Drain pan w/double sided tape | 80-54217-00 |
| 11 | Drain trough assembly | 80-54399-00 |
| 12 | Drier | 80-54055-00 |
| 13 | Evaporator assembly | 80-54057-00 |
| 14 | Evaporator cover | 80-54042-00 |
| 15 | Evaporator fan | 80-54321-00 |
| 16 | Evap fan w/cover and screws | 80-54151-00 |
| 17 | Frame assembly | 80-54820-00 |
| 18 | Gasket, door, injection molded | 80-54039-00 |
| 19 | Grille w/ screws | 80-54040-00 |
| 20 | Hinge covers (2 pcs) | 80-54001-00 |
| 21 | Hinge mounting hole covers(2) | 80-54024-00 |
| 22 | Hinges (2) w/screws and covers | 80-54013-00 |
| 23 | LED light strip and cover assy | 80-54000-00 |
| 24 | Leg Levelers (4) | 80-54019-00 |
| 25 | Main board (no case or wires) | 80-54008-00 |
| 26 | Packaging | 80-54159-00 |
| 27 | Power cord | 80-54171-00 |
| 28 | Rack assembly | 80-54010-00 |
| 29 | Rack assembly bottom | 80-54091-00 |
| 30 | Rack Assembly, lower | 80-54817-00 |
| 31 | Rack Assembly, middle | 80-54818-00 |
| 32 | Reed switch | 80-54134-00 |
| 33 | Slide assembly, long | 80-54047-00 |
| 34 | Slide assembly, short | 80-54048-00 |
| 35 | Stainless Wrap w/rivets | 80-54821-00 |
| 36 | Thermistor (1 pc) | 80-54006-00 |
| 37 | Thermistor cover and pin | 80-54023-00 |
| 38 | Tool, leg leveler | 80-54794-00 |
| 39 | WIFI antenna | 80-54804-00 |
| 40 | Wire Harness, board | 80-54251-00 |
| 41 | Wood fronts w/screws | 80-54498-00 |