

30" Built-in Refrigerator Column with Internal Water Dispenser, Reversible Door Professional Series

\$ 6,759



REF30RCBPNV

These built-in column refrigerators are masterpieces of Bertazzoni design and technology. Their stylish panel ready reversible front doors reflect close attention to detail and high-quality materials, inside and out.

The Dual Cooling Shield System's automated defrosting of evaporator ensures food stays always fresh. Top and lateral LED lighting gives you perfect all-round visibility.

A variable speed compressor ensures accurate temperature control and energy efficiency. Precise temperature dual zone control for optimal food preservation: the Fresco drawers with independent temperature settings (30° - 41°F) allows for optimal storage of meat, cold cuts, shellfish, fish and dairy products. Replacement water filters are available for purchase [here](#).

Internal water dispenser with inline filter for hygienically clean drinking water. Digital LED touch interface with user-friendly controls for temperature, speed-cooling and eco mode. Soft-close crispers with metal trims. Height-adjustable gallon-size door storage bin.

Stainless steel and carbonio door panel kits available as optional accessories. Stainless steel toe kick included in the unit. Connection kit for multiple installations included in

freezer columns. Reversible doors for left or right swing configuration.

To mount a Bertazzoni handle kit on a custom kitchen cabinet panel, use brass threaded inserts available for purchase [here](#).

This refrigerator integrates seamlessly with all other Bertazzoni appliances into style-harmonized suites for a true, high-performing kitchen.

Handle kits and door panels are sold separately.

Bertazzoni column refrigerators are designed with pride in Italy and covered by an industry-leading 2-year parts and labor warranty.

[Guarda online](#)

Specifications

Features

General features

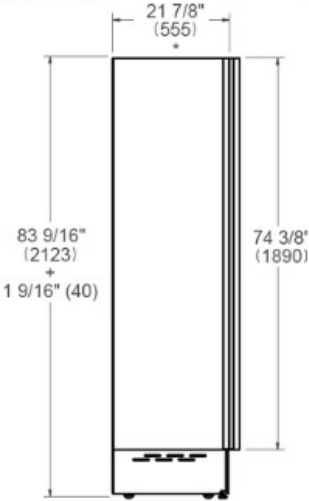
| | |
|---------------------------|--|
| Size | 30 in |
| Cooling system | frost free |
| User interface | LED touch control interface |
| Display functions | Door ajar alarm, Super Cool, Water filter replacement reminder, Water dispenser, Eco Mode, Vacation Mode, Sabbath Mode |
| Lighting | LED side & top rail illumination |
| Door ajar alarm | yes |
| Door finishing | Panel ready or Stainless steel or Carbonio metal painting |
| Cabinet finishing | stainless steel back wall |
| Refrigerator net capacity | 16.7 cu.ft |
| Refrigerator shelves | 3 height-adjustable + 1 stationary |
| Refrigerator drawers | 1 crisper + 3 Fresco drawers with separate temperature control |
| Door storage | 1 height-adjustable gallon-sized bin + 2 stationary bins |
| Water filter | internal |
| Water supply pressure | 25 psi to 80 psi |
| Sound rating | 41 dbA |
| Certification | ADA Compliant, CEC, ETL |
| DOE compliant | yes |

Technical specifications

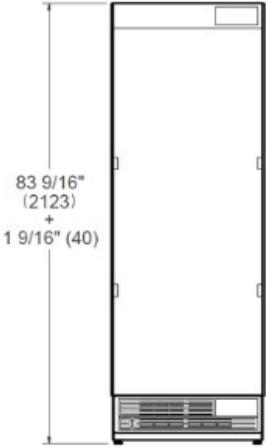
| | |
|--------------------|--------------------------------|
| Electrical supply | 115 V - 60 Hz - 112 W - 2 Amp |
| Power connection | NEMA 5-15P with 90" power cord |
| Energy consumption | 325.0 kWh/yr |

Dimensions

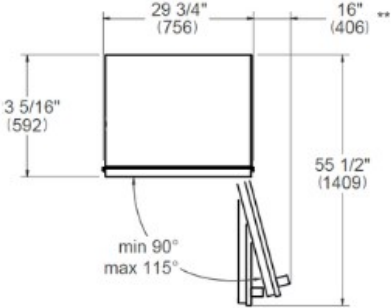
SIDE VIEW



FRONT VIEW



TOP VIEW



* Depth without door
** Maximum Overall Handle Dimension, 3/4" (19) door panel thickness