

# Maggiore

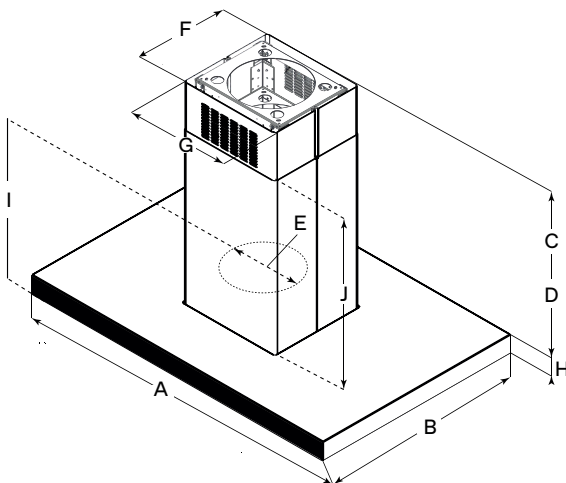
## Island hood

Specification sheet



Learn  
more

### MEASUREMENTS



|     | EMG636S1  | EMG642S1       |
|-----|---|----------------|
| A   | 36" (91.4 cm)   | 42" (106.7 cm) |
| B   | 27 1/8" (68.9 cm)                                     |                |
| C*  | Min: 29 13/16" (75.72 cm)<br>Max: 50 1/8" (127.32 cm) |                |
| D** | Min: 29 13/16" (75.72 cm)<br>Max: 44 7/8" (114 cm)    |                |
| E   | 6" (15.2 cm)  |                |
| F   | 12" (30.4 cm)   |                |
| G   | 13" (33.2 cm)   |                |
| H   | 2 3/8" (6 cm)   |                |
| I   | 15 5/16" (40.48 cm)                                   |                |
| J   | 21 9/16" (54.72 cm)                                   |                |

\*Ductless (recirculating)

\*\*Ducted version

### DESCRIPTION

With a minimalist design and strong stainless steel construction, Maggiore complements avant-garde appliances where clear and architectural lines take precedence. Maggiore features a powerful 600 CFM blower, dimmable LED lights, stainless steel microhole filters, and high-tech glass touch controls for convenience and safety. Designed for standard ducted installation, Maggiore can also be installed as a recirculating system using the optional Recirculating Kit.



### FEATURES

Hush system

Dim light

Top performance

Touch controls

CFM reduction system

Led light



### GENERAL PROPERTIES

|                                     |  |  |
|-------------------------------------|--|--|
| Width                               | 36"  | 42"  |
| Model                               | EMG636S1   | EMG642S1                                     |
| Dimensions                          | 36"W x 27 1/8"D x min 29 13/16" max 50 1/8"H   | 42"W x 27 1/8"D x min 29 13/16" max 50 1/8"H |
| Blower Type (Internal) <sup>1</sup> | 600 CFM (3-speed+ boost)   |  |
| Noise (Min-max sones) <sup>1</sup>  | 1.7-6.8 Sones  |  |
| Electrical                          | 120V-60Hz, 426W  |  |
| Illumination                        | 4 premium dimmable LED, 2.1W, 4000K  |  |
| Finish                              | Stainless Steel with black tempered glass  |  |
| Controls                            | Multi-function Electronic with black glass touch display   |  |
| Grease filters                      | 3 stainless steel microhole filter   |  |
| Installation type                   | Ducted or recirculating with kit (sold separately)   |  |
| Telescopic chimney                  | Can reach ceiling heights of min 7'6", max 9'9" (ducted out) & min 7'6", max 10'2" (recirculating) |  |
| Duct transition                     | Round 6" (top only)  |  |

### KITS

|                   |  |
|-------------------|--|
| Recirculating Kit | KIT02665 (Contains 6"/8" deflector & 2 round carbon filters)             |
| Chimney Extension | KIT0100317 (Can reach 8'9" - 12'8" (ducted), 9'2"-12'9" (recirculating)) |

**WARRANTY:<sup>2</sup> Two (2) Years Parts & In-Home Labor. Earn an additional One (1) Year of Parts & In-Home Labor by registering on elica.com**



The product images shown are for illustration purposes only and may not be an exact representation of the product.  
<sup>1</sup> CFM and Noise data indicate the performance of the hood blower tested according to international standards. For AHAM Certified Ratings, established in accordance with California Title 24 Standardized test procedure, please refer to AHAM Certified Product Directory. Electric Ratings are declared according to UL.

<sup>2</sup> For valid warranty extension, register within 3 months from purchase. For USA & Canada Users Only.